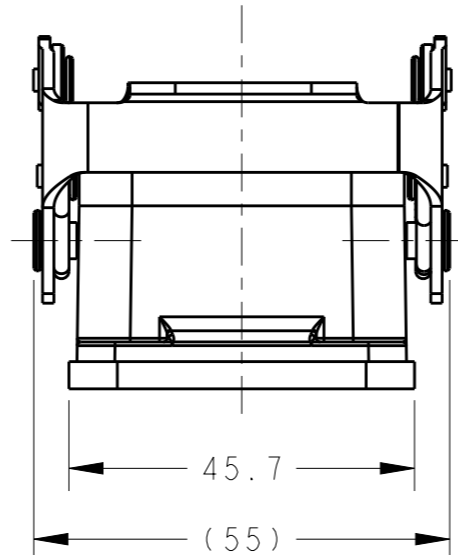
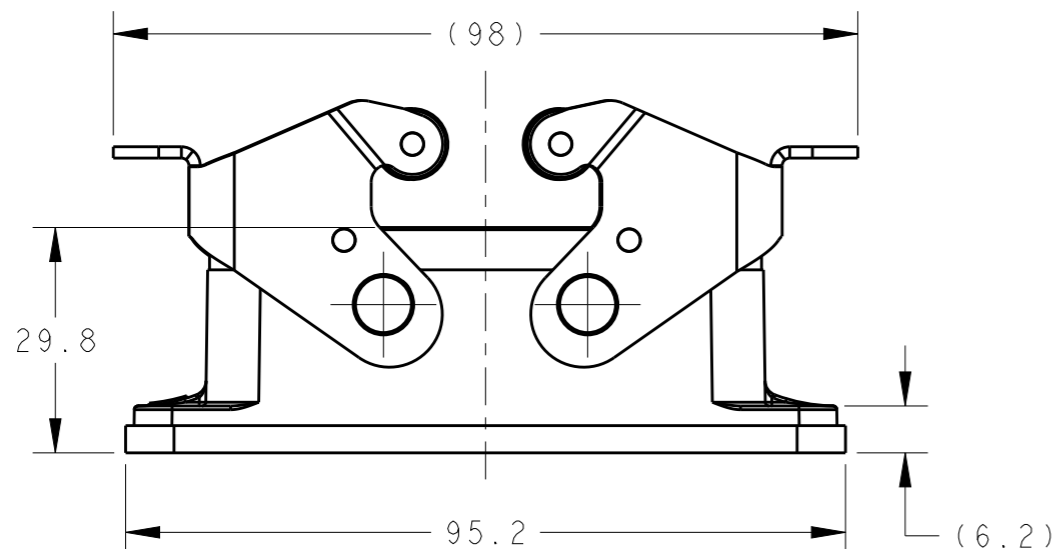


THIS DRAWING IS UNPUBLISHED. RELEASED FOR PUBLICATION 20
© COPYRIGHT 20 BY - ALL RIGHTS RESERVED.

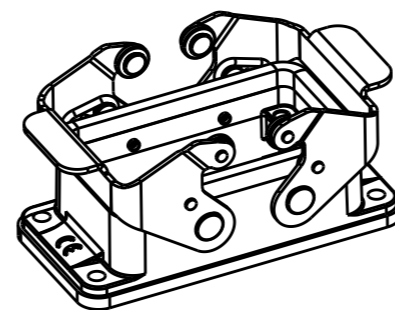
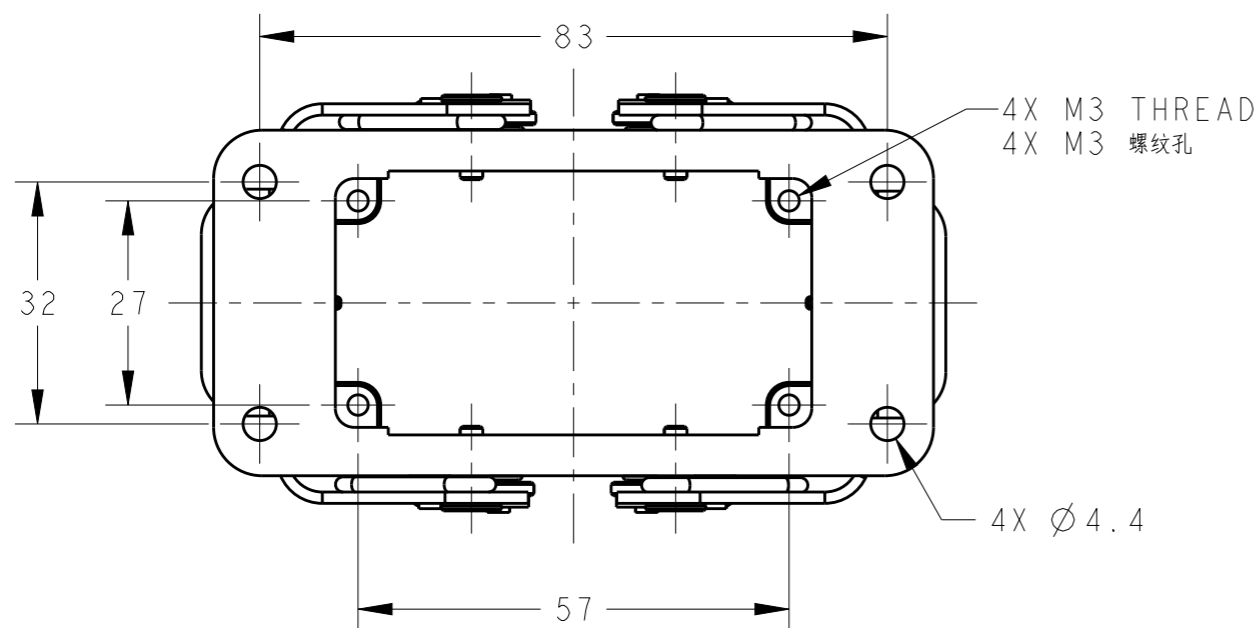
REVISIONS

| P | LTR | DESCRIPTION | DATE | DWN | APVD |
|---|-----|---------------|-----------|-----|------|
| | A | INITIAL | 25JUN2015 | DW | CW |
| | B | ECR-20-008181 | 03JUL2020 | WQR | CW |



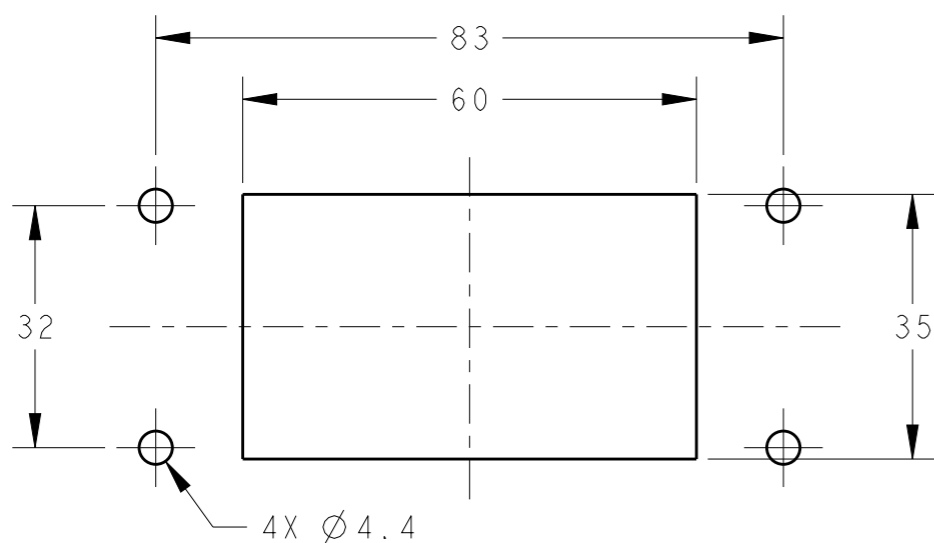
NOTES:
 1. TECHNICAL CHARACTERISTICS:
 HOUSING MATERIAL: DIE CAST ALUMINIUM ALLOY
 SURFACE: POWDER COATED, COLOR SEE TABLE
 DEGREE OF PROTECTION: IP65 (MATED)

注释:
 1. 技术参数:
 下壳材料: 铝合金
 表面处理: 粉末涂层, 颜色见表格
 防护等级: IP65 (配合)



SCALE 1:2

PANEL CUT OUT



| T1410104000-000 | H10B-AGS | SILVER WHITE, OUTSIDE |
|-----------------|-------------|--------------------------|
| T1410107000-000 | H10B-AGS | RED, OUTSIDE |
| T1410101000-100 | H10B-AGS | GREY, INSIDE AND OUTSIDE |
| T1410101000-000 | H10B-AGS | GERY, OUTSIDE |
| PART NUMBER | DESCRIPTION | HOUSING COLOR AND TYPE |

| | | | | |
|--|--|-----------------------------|---|--|
| THIS DRAWING IS A CONTROLLED DOCUMENT. | | DWN 25JUN2015 David Wang | STE TE Connectivity | |
| DIMENSIONS: mm | | CHK 25JUN2015 Chris Wang | | |
| TOLERANCES UNLESS OTHERWISE SPECIFIED: | | APVD 25JUN2015 Xiang Xu | NAME H10B-AGS | |
| 0 PLC ±- | | PRODUCT SPEC 108-137013 | SIZE CAGE CODE DRAWING NO RESTRICTED TO | |
| 1 PLC ±- | | APPLICATION SPEC 114-137013 | A300779 C-T141010X000X00 | |
| 2 PLC ±- | | WEIGHT - | SCALE 1:1 SHEET 1 OF 1 REV B | |
| 3 PLC ±- | | | | |
| 4 PLC ±- | | | | |
| ANGLES ±- | | | | |
| FINISH - | | | | |
| MATERIAL - | | Customer Drawing | | |