

- 1
- 2
- 3
- 4
- 5
- 6
- 7
- 8
- 9
- 10
- 11
- 12
- 13
- 14
- 15
- 16
- 17
- 18

**HANDLE SHANKS**

Die-cast aluminium, epoxy resin coating, black colour, semi-matte finish.

Holes for black zinc-plated cylindrical-head screws with hexagon socket, glossy zinc-plated nuts and washers, included in the supply.

**TUBE**

Natural colour anodised aluminium profile, satin finish.

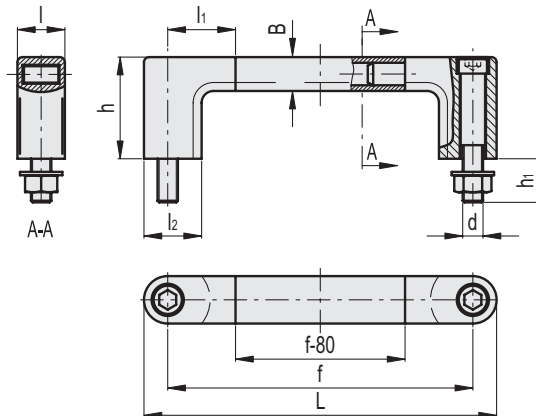
**FEATURES AND APPLICATIONS**

MS series handles are extremely resistant with an excellent ergonomy and design.

They are generally used on machines and equipment.

**SPECIAL EXECUTIONS ON REQUEST**

- RAL 7043 grey tube.
- Different lengths.



**Conversion Table**  
1 mm = 0.039 inch

mm	inch
228	8.89
278	10.84
328	12.79
428	16.69
528	20.59

Code	f	L	d	h1	B	h	l	l1	l2	⚖️
RHMS-01.200.62	200	228	M12	22	20	60	28	40	34	566
RHMS-01.250.62	250	278	M12	22	20	60	28	40	34	608
RHMS-01.300.62	300	328	M12	22	20	60	28	40	34	651
RHMS-01.400.62	400	428	M12	22	20	60	28	40	34	734
RHMS-01.500.62	500	528	M12	22	20	60	28	40	34	816