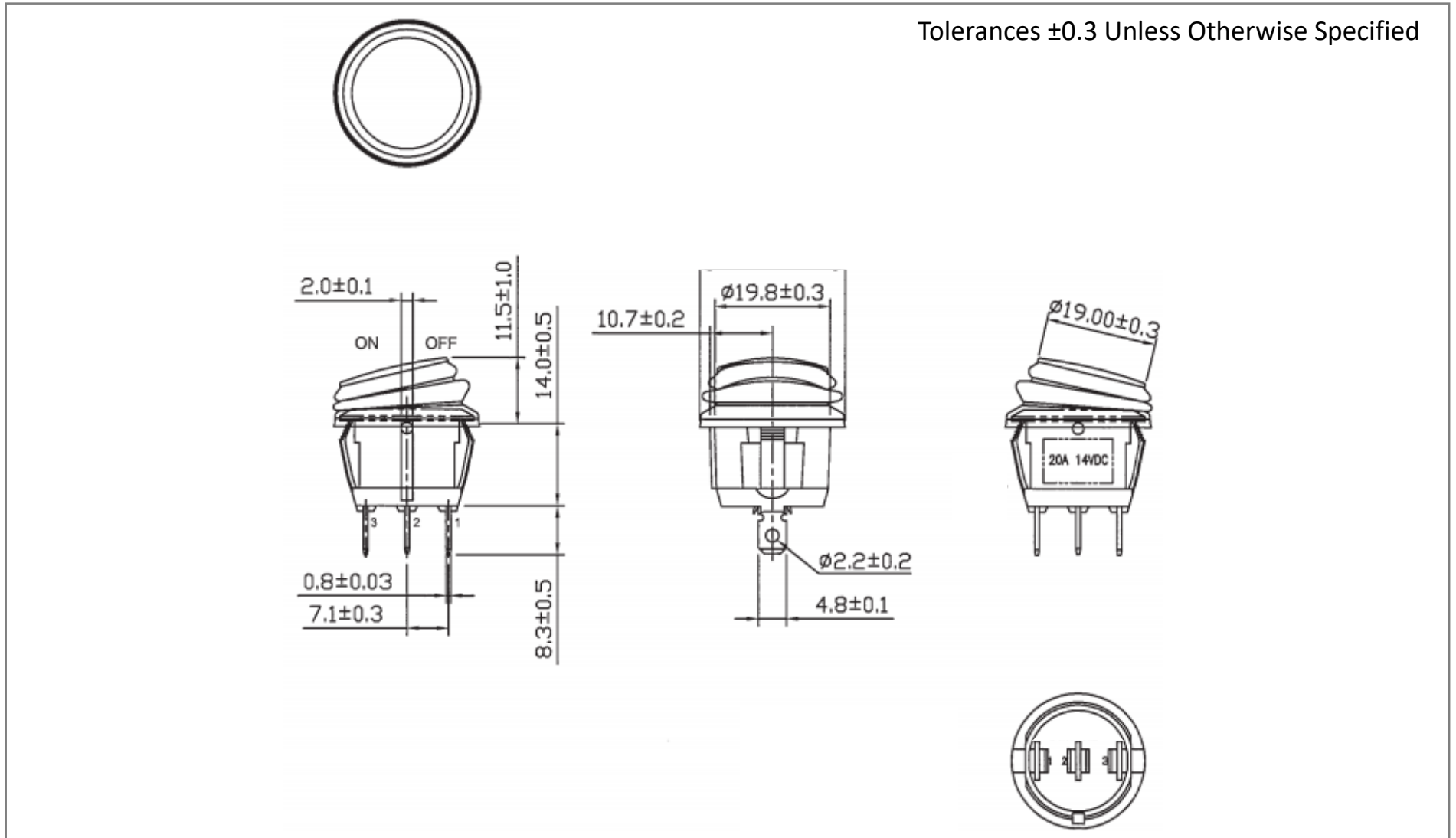
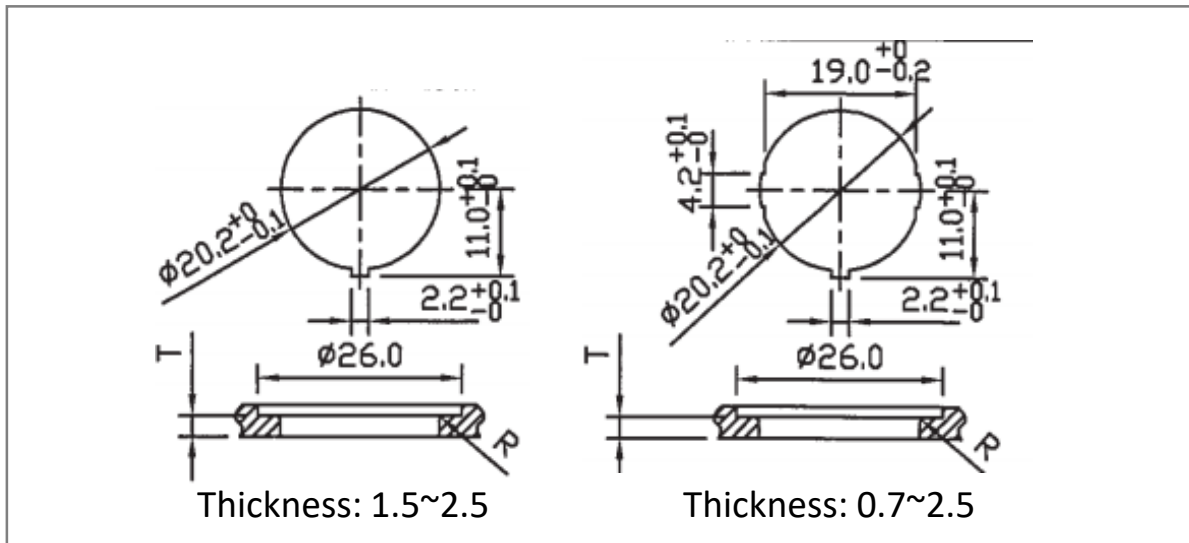


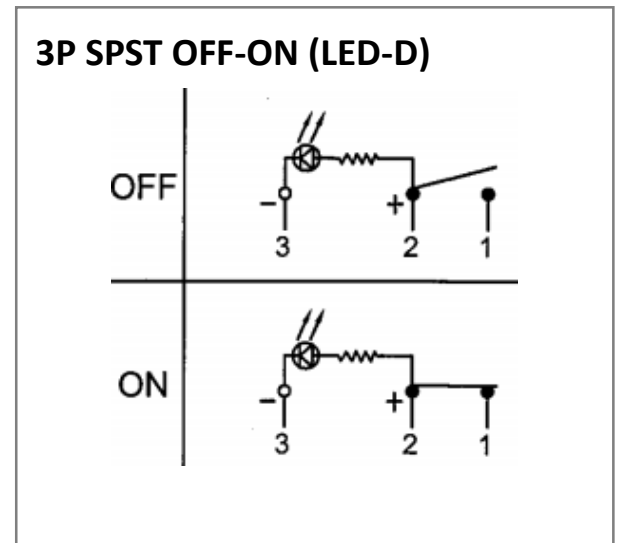
Mechanical Dimensions (mm)



Mounting Hole



Circuit Diagram



Electrical Specifications

Rating	20A 14V DC
Contact Resistance	50m ohm Max.
Insulation Resistance	DC 500V 100M ohm Min.
Dielectric Strength	AC 1500V 1 minute
Operation Temperature	-25°C~85°C

Material Specifications

Frame	Black, Nylon 66 (94-V2)
Actuator	Blue clear, PC (94-V2)
Waterproof Rubber	Black, Silicone IP65
Terminals	Silver plated, Copper alloy
LED	Blue (Dependent)