

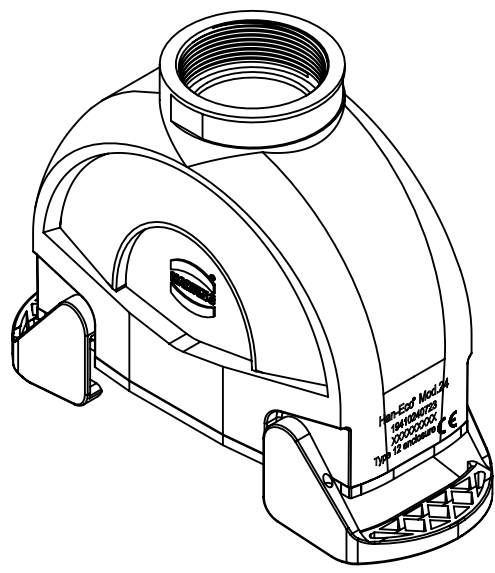
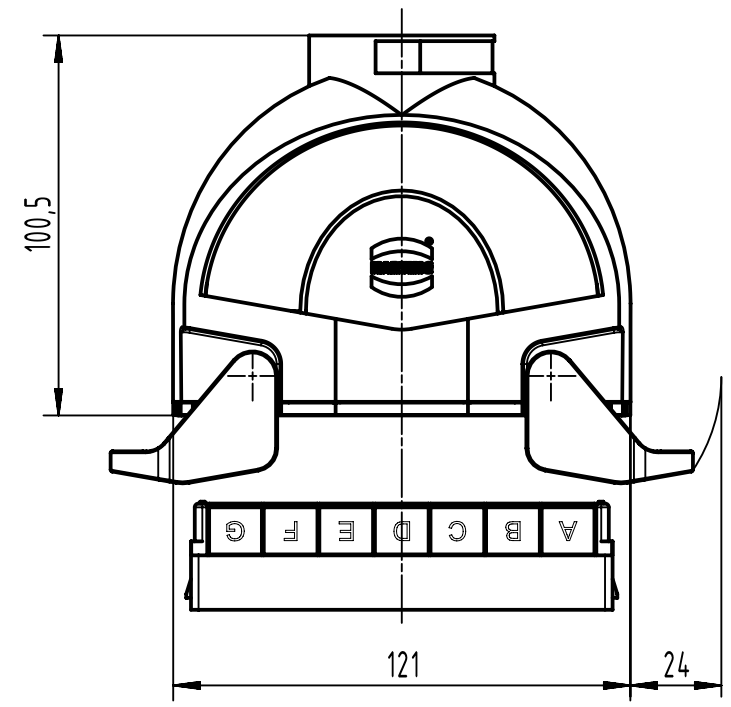
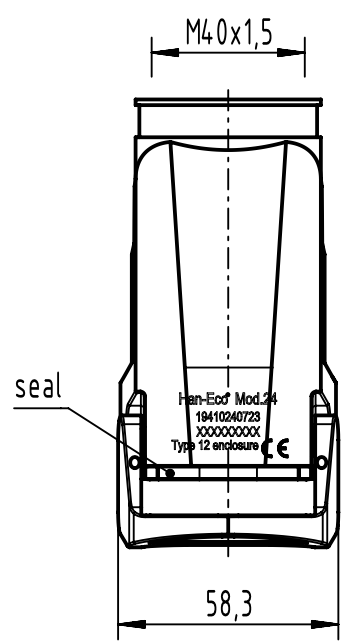
1 2 3 4 5 6

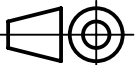

A

B

C

D



	All Dimensions in mm Original Size DIN A4		Scale 1:2	Free size tol.		Ref.		
						Sub.		
	All rights reserved		Created by BALSAN	Inspected by 402602	Standardisation 302077	Date 2021-02-22	State Final Release	
	Department EL PD		Title Han-Eco Mod.24-HCC-M40				Doc-Key / ECM-Nr. 100213391/UGD/008/C 500000189756	
HARTING D-32339 Espelkamp			Type TB	Number 19 41 024 0723			Rev. C	Page 1/1