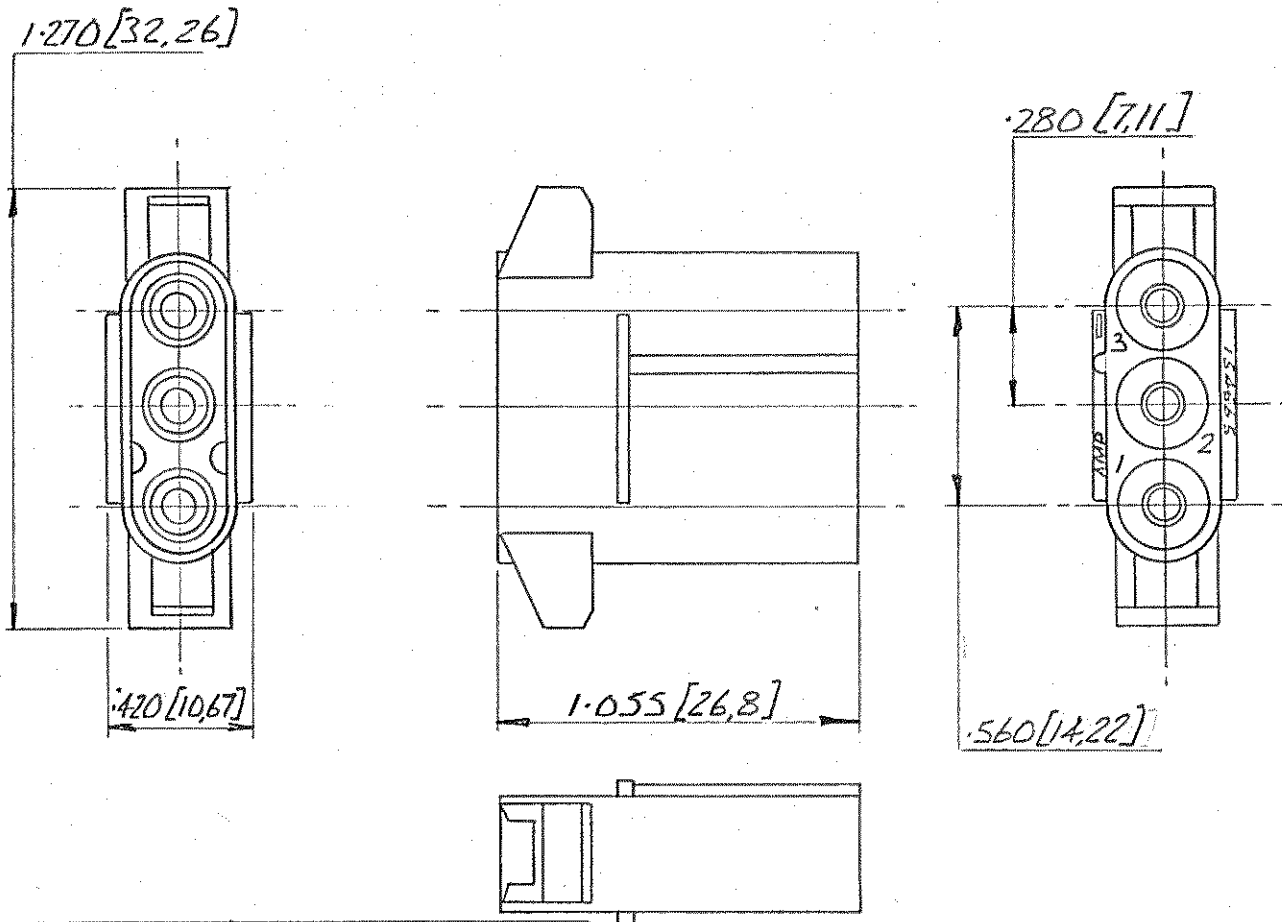


NUMBER C/154565

3rd ANGLE (AMERICAN) PROJECTION

DIMENSIONS IN INCHES. DO NOT SCALE PRINT DIMENSIONS THUS [ ] IN MM.



NUMBER	COLOUR	MATERIAL
154565-0	NATURAL	NYLON 6.6
-1	RED	
-2	BLUE	
-3	YELLOW	
-4	BLACK	
-5	BROWN	
-6	VIOLET	
-7	GREEN	
-8	GREY	
154565-9	ORANGE	
1-154565-0	NATURAL	NYLON AD 137

				© AMP of GREAT BRITAIN LTD 1974		CUSTOMER COPY REFERENCE ONLY	
				MATERIAL AND FINISH		TERMINAL HOUSE, STANMORE, MIDDX.	
				SEE TABLE		AMP of Great Britain Ltd	
				WIRE - RANGE - INSULATION		CLASS	
0 RELEASED FOR PRODUCTION				ES		25 375	
LTR		REVISION RECORD		DR		CHK	
DR		DE		DATE		TOLERANCE EXCEPT AS NOTED	
P.C. BURGESS 15/1/74		BRIAN WORNER 13.2.74		SCALE		LOC	
CHK		APP		± 0.15 [0,38] ± 1° 0'		NO	
ESMITH 16/1/74				2/1		EA C/154565	
				NAME			
				3 WAY PIN HOUSING			
				MATE-N-LOCK			
				REV			

PRINT DIST.