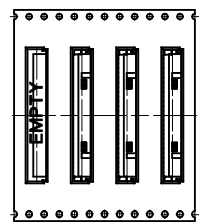
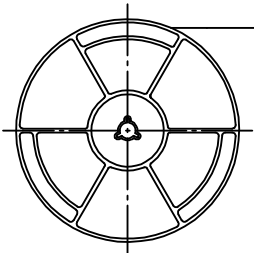


SECTION A-A'

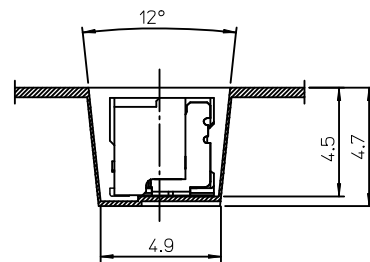
PULL OUT DIRECTION



PULL OUT DIRECTION

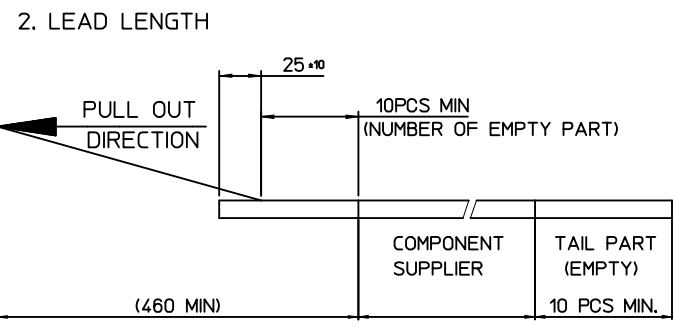


PLASTIC BOBBIN

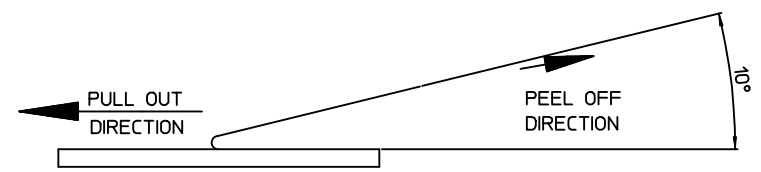


SECTION B-B'
SCALE 3/1

NOTES.
1. QUANTITY OF CONNECTORS : 1,500 PCS/REEL



3. PEELING OFF FORCE OF COVER TAPE : 0.1N~0.59N(10.2GF~60GF)
(PEELING DIRECTION AS SHOW IN FOLLOW FIG.)
PEELING OFF SPEED : 300mm/Min.(Ref.)

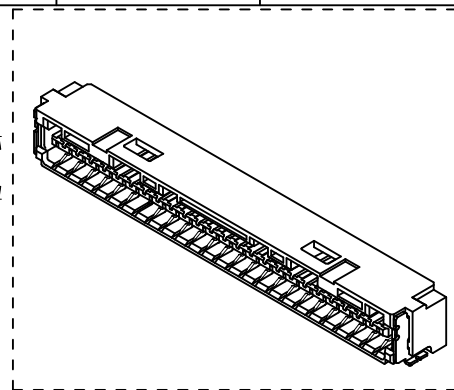
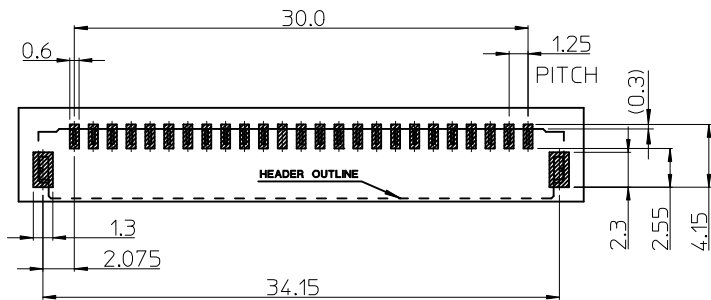
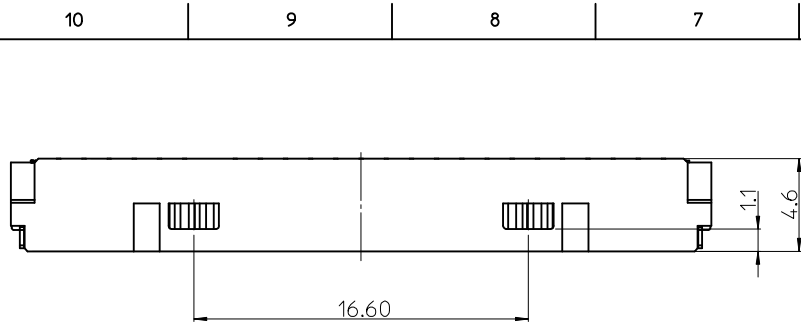


4. FLASH IN ANY PORTION SHOULD BE LESS THAN 0.20mm MAX.
5. UNLESS OTHERWISE SPECIFIED INNER R 0.2MAX
6. DRAFT ANGLE 3° MAX

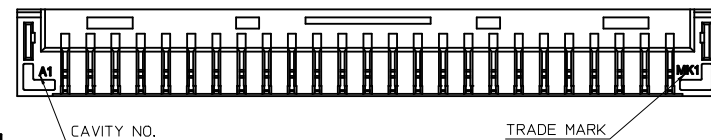
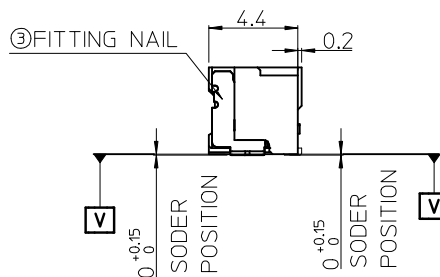
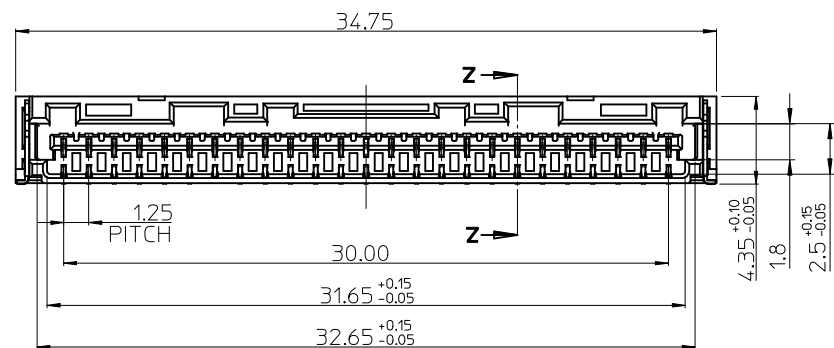
3	PLASTIC BOBBIN	HI P.S	WHITE
2	COVER TAPE	PET ANTISTATIC	49.0 mm
1	CARRIER (EMBOSSD) TAPE	PET ANTISTATIC	104091-9905
NO	DESCRIPTION	MATERIAL	REMARK

ORDER NO 104091-2520

RELEASED EC NO: KOR2012-0127 DRWN:SKCHO 2012/07/09 CHKD:SHCHU 2012/07/09 APPR:YSKIM02 2012/08/06	QUALITY SYMBOLS	GENERAL TOLERANCES (UNLESS SPECIFIED)	DIMENSION STYLE	SCALE	DESIGN UNITS	THIRD ANGLE PROJECTION																	
	▼=0 ▽=0	<table border="1"> <tr> <td></td> <td>mm</td> <td>INCH</td> </tr> <tr> <td>4 PLACES</td> <td>± ---</td> <td>± ---</td> </tr> <tr> <td>3 PLACES</td> <td>± ---</td> <td>± ---</td> </tr> <tr> <td>2 PLACES</td> <td>± 0.15</td> <td>± ---</td> </tr> <tr> <td>1 PLACE</td> <td>± 0.20</td> <td>± ---</td> </tr> <tr> <td>0 PLACE</td> <td>± ---</td> <td>± ---</td> </tr> </table>		mm	INCH		4 PLACES	± ---	± ---	3 PLACES	± ---	± ---	2 PLACES	± 0.15	± ---	1 PLACE	± 0.20	± ---	0 PLACE	± ---	± ---	MM ONLY	1/1
		mm	INCH																				
	4 PLACES	± ---	± ---																				
3 PLACES	± ---	± ---																					
2 PLACES	± 0.15	± ---																					
1 PLACE	± 0.20	± ---																					
0 PLACE	± ---	± ---																					
REV	DESCRIPTION	DRAFT WHERE APPLICABLE MUST REMAIN WITHIN DIMENSIONS	DRAWN BY SKCHO CHECKED BY SHCHU APPROVED BY YSKIM02 DATE 2011/08/02 DATE 2011/08/02 DATE 2012/08/06	TITLE	1.25 WTB CONN. R/A -25P HEADER ASS'Y EMBOSSD PACKAGE																		
A			MATERIAL NO. 1040912520 SIZE A3	DOCUMENT NO. SD-104091-012	SHEET NO. 1 OF 1																		

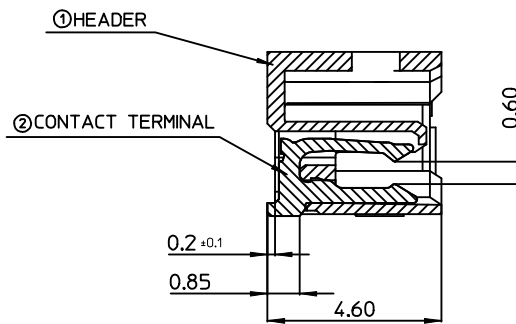
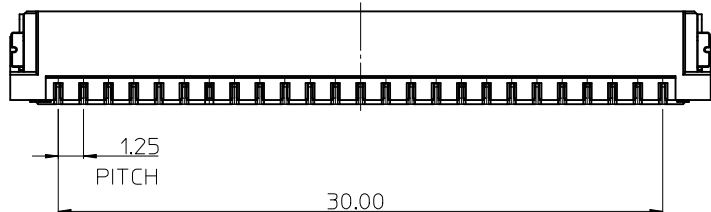


RECOMMEND RATTERN [REF.]
 [PCB GENERAL TOLERANCE ±0.05]



NOTES.

- MATERIALS
 - ① HEADER : LIQUID CRYSTAL POLYMER(LCP), GLASS FILLED, UL94V-0, COLOR: NATURAL (IVORY)
 - ② CONTACT TERMINAL : PHOSPHOR BRONZE
 - ③ FITTING NAIL : PHOSPHOR BRONZE
- FINISHES
 - ② CONTACT TERMINAL : PURE TIN PLATING ON OVERALL THICKNESS : 3.0~5.0µm UNDER PLATING Ni OVERALL THICKNESS 1.25~3.75µm
 - ③ FITTING NAIL : PURE TIN PLATING ON OVERALL THICKNESS 3.0 ~ 5.0µm UNDER PLATING Ni OVERALL THICKNESS 1.25 ~ 3.75µm
- PRODUCT SPECIFICATION : PS-104091-001
- PACKAGING SPECIFICATION : PK-104091-001
- MATED WITH : 104092-2500
- COPLANALITY OF SOLDER TAILS (PEAK TEMP.:260°C 1 TIME) BEFORE & AFTER REFLOW : 0.08 MAX



SECTION Z-Z

ORDER NO 104091-2520

RELEASED EC NO: KOR2012-0127 DRWN:SKCHO 2012/07/09 CHKD:SHCHU 2012/07/09 APPR:YSK1M02 2012/08/06	QUALITY SYMBOLS ▽=0 ◻=0	GENERAL TOLERANCES (UNLESS SPECIFIED)		DIMENSION STYLE MM ONLY		SCALE 4/1	DESIGN UNITS METRIC	THIRD ANGLE PROJECTION		
			mm	INCH	DRAWN BY	DATE	TITLE			
		4 PLACES	± ---	± ---	JHPARK	2011/04/03	1.25 WTB CONN. R/A -25P HEADER ASS'Y			
		3 PLACES	± ---	± ---	CHECKED BY	DATE				
2 PLACES	± 0.15	± ---	SHCHU	2011/04/03	MOLEX INCORPORATED					
1 PLACE	± 0.20	± ---	APPROVED BY	DATE						
	ANGULAR ± 1 °		YSK1M02	2012/08/06	MATERIAL NO. 1040912520		DOCUMENT NO. SD-104091-013		SHEET NO. 1 OF 1	
DRAFT WHERE APPLICABLE MUST REMAIN WITHIN DIMENSIONS		SIZE A3		THIS DRAWING CONTAINS INFORMATION THAT IS PROPRIETARY TO MOLEX INCORPORATED AND SHOULD NOT BE USED WITHOUT WRITTEN PERMISSION						