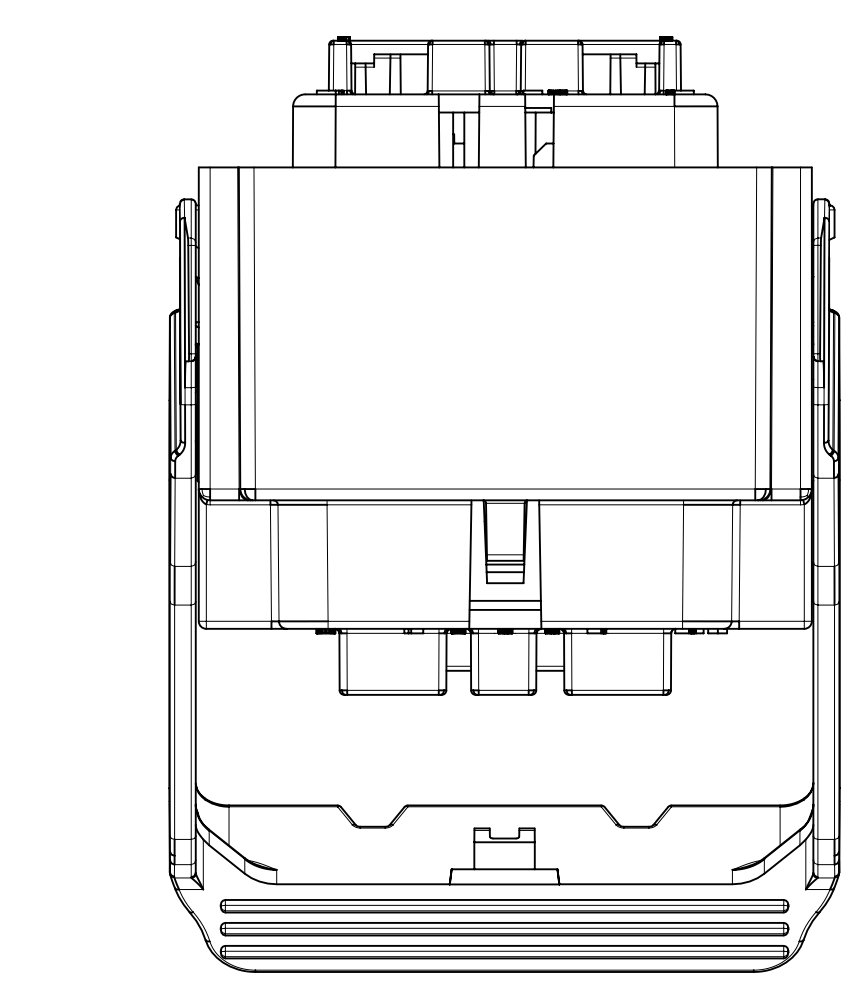
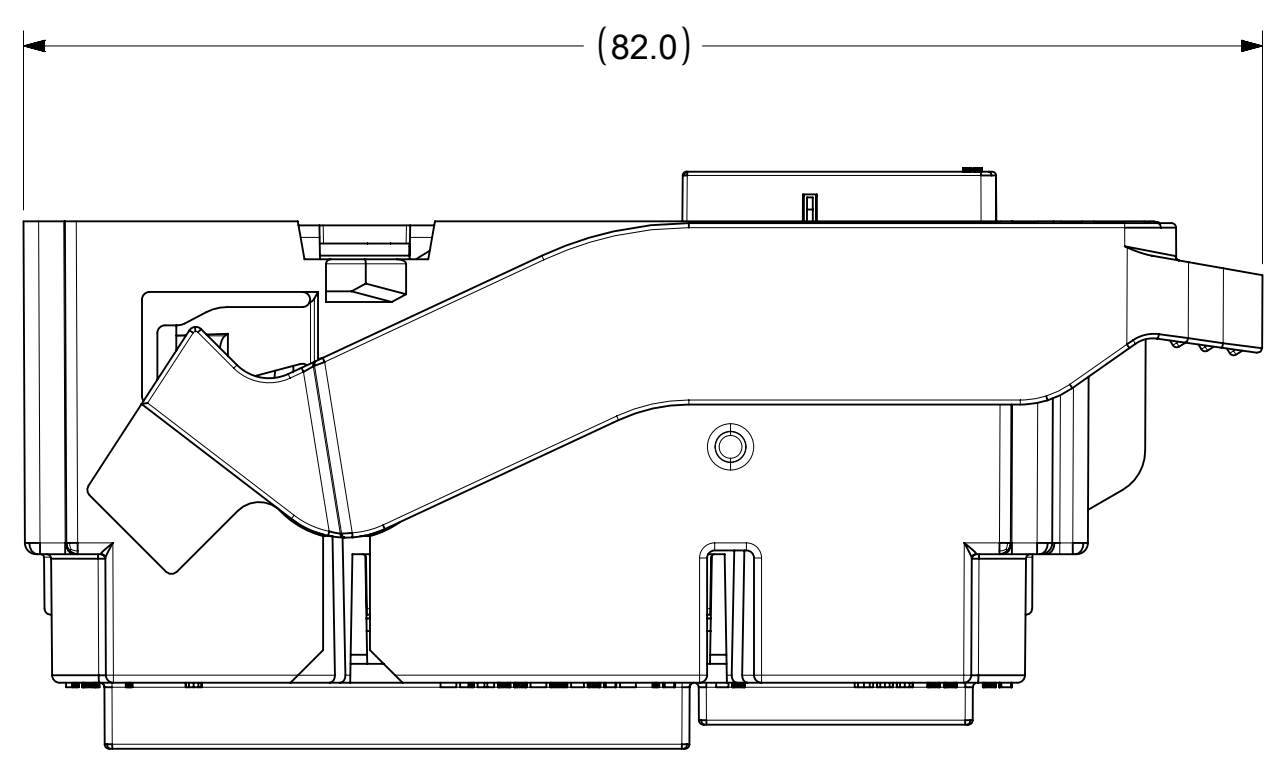
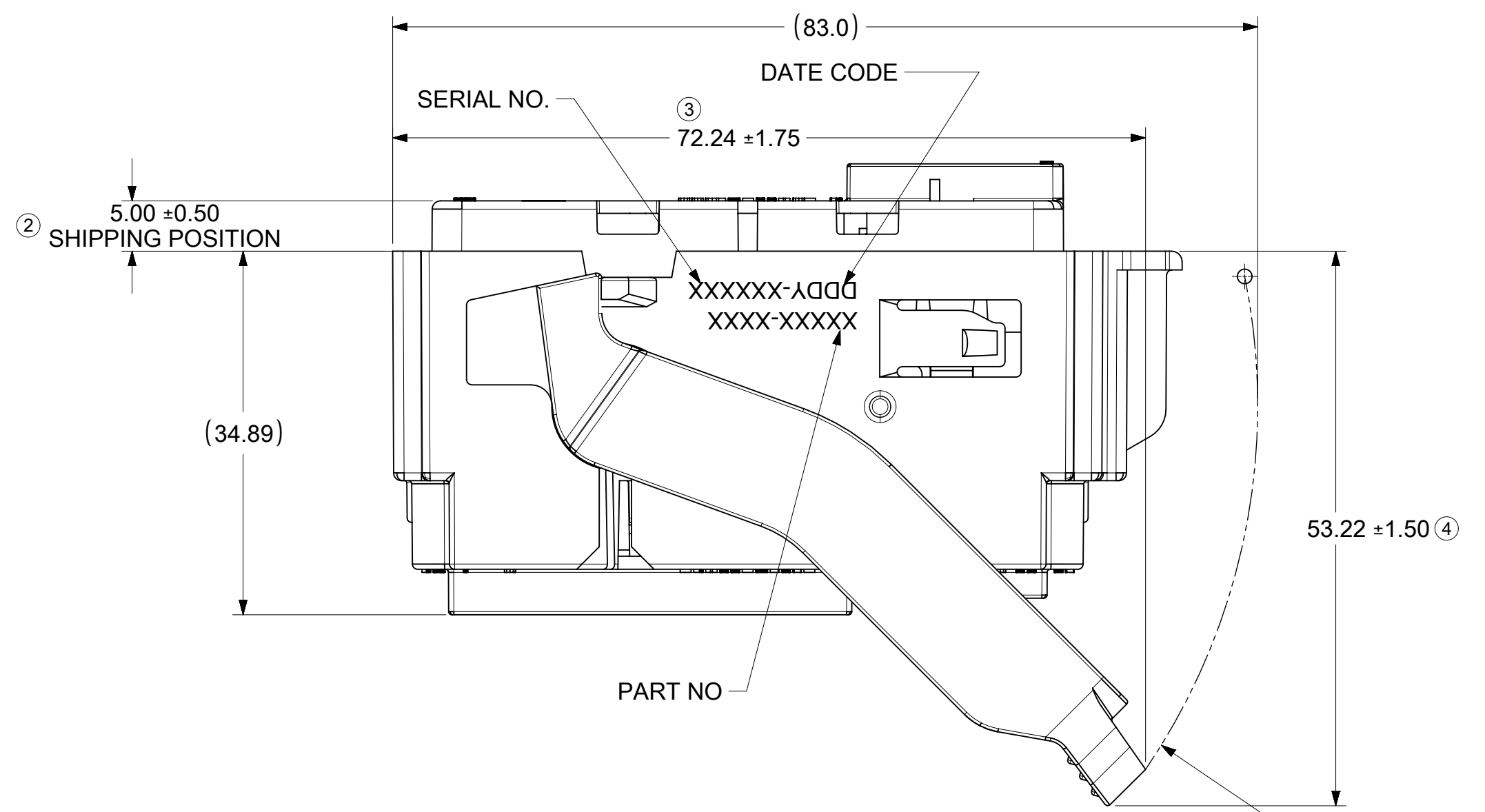


TERMINALS AND TPA SHOWN IN FINAL LOCKED POSITION
Section X-X

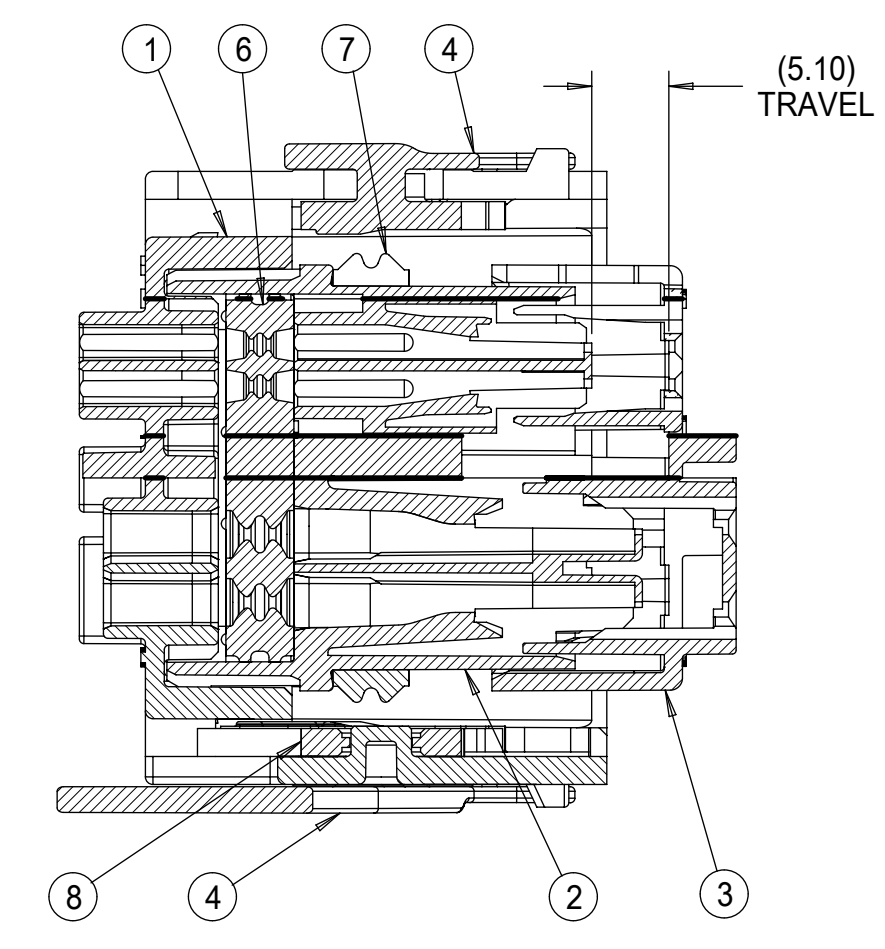
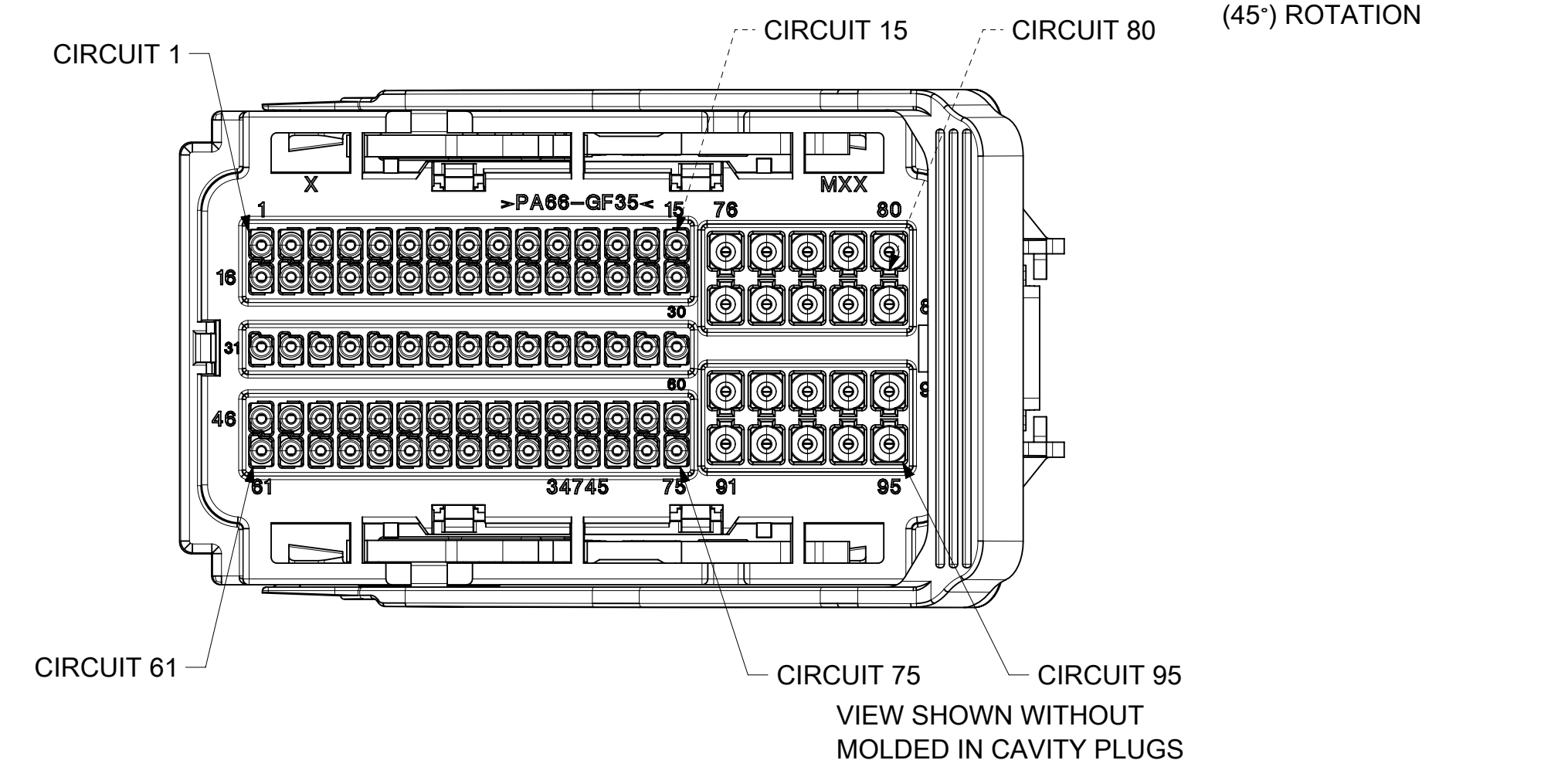


TPA SHOWN IN OPEN POSITION AND LEVER IN PRE-MATE POSITION

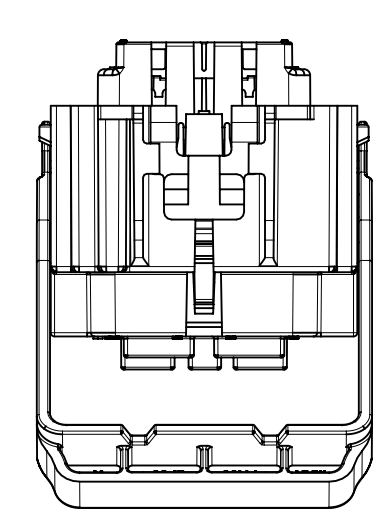
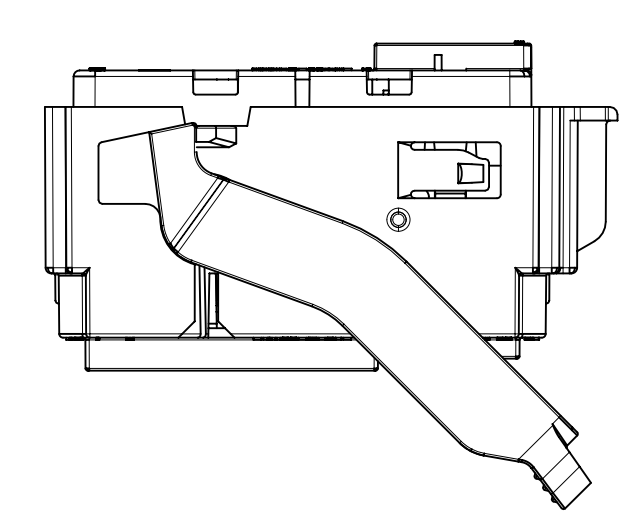
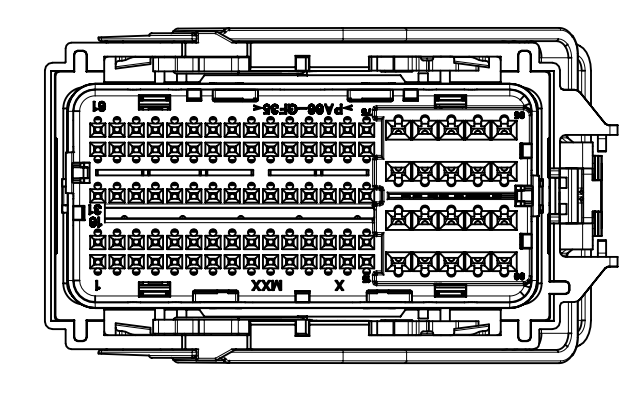
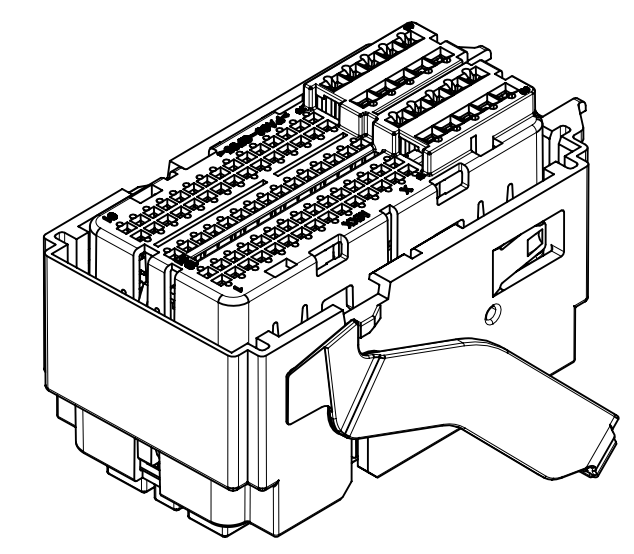


TPA SHOWN IN CLOSED POSITION AND LEVER IN MATE POSITION

AROUND-THE-END LEVER OPTION
P/N 34992-0001, KEY 1



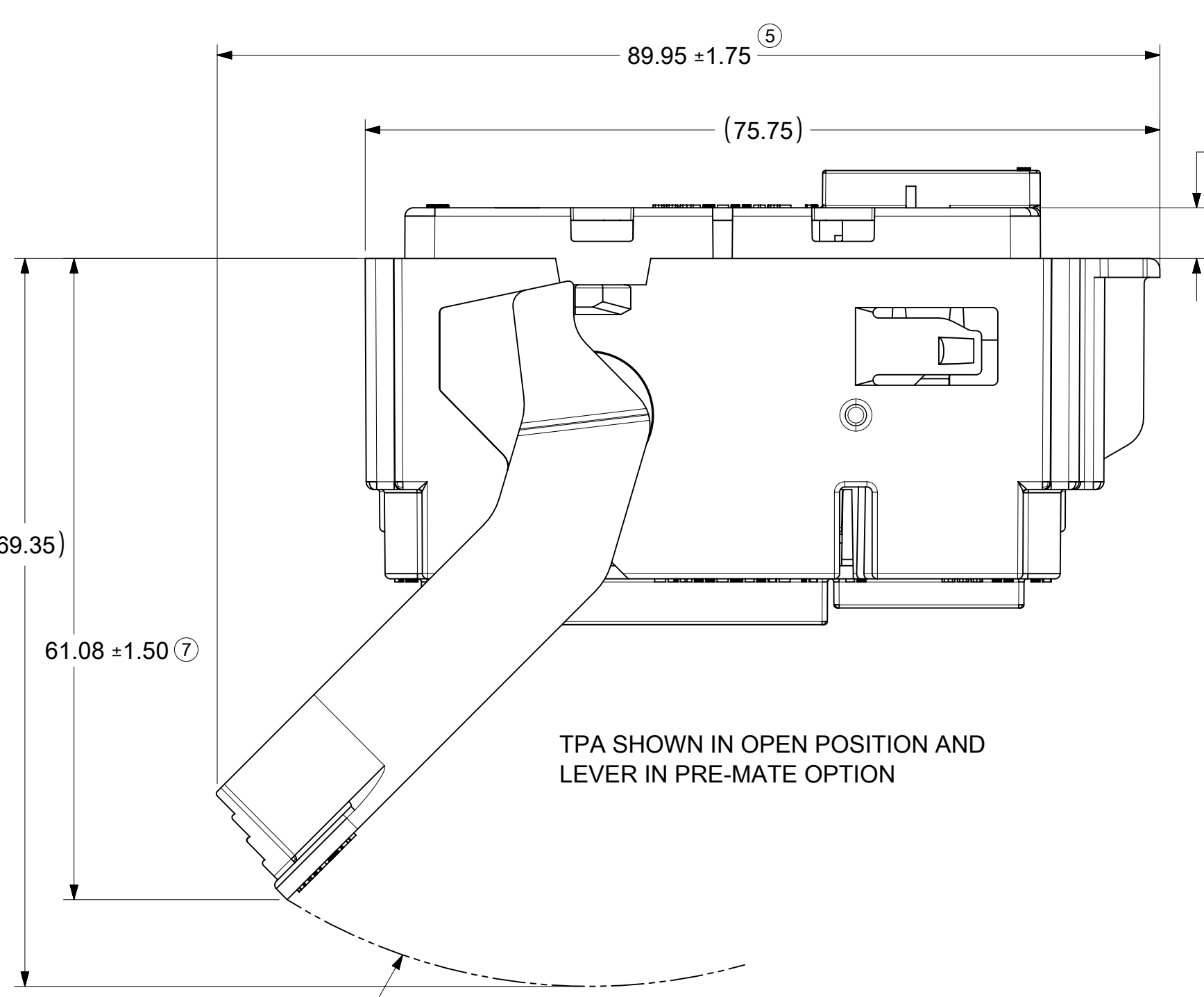
Section Y-Y



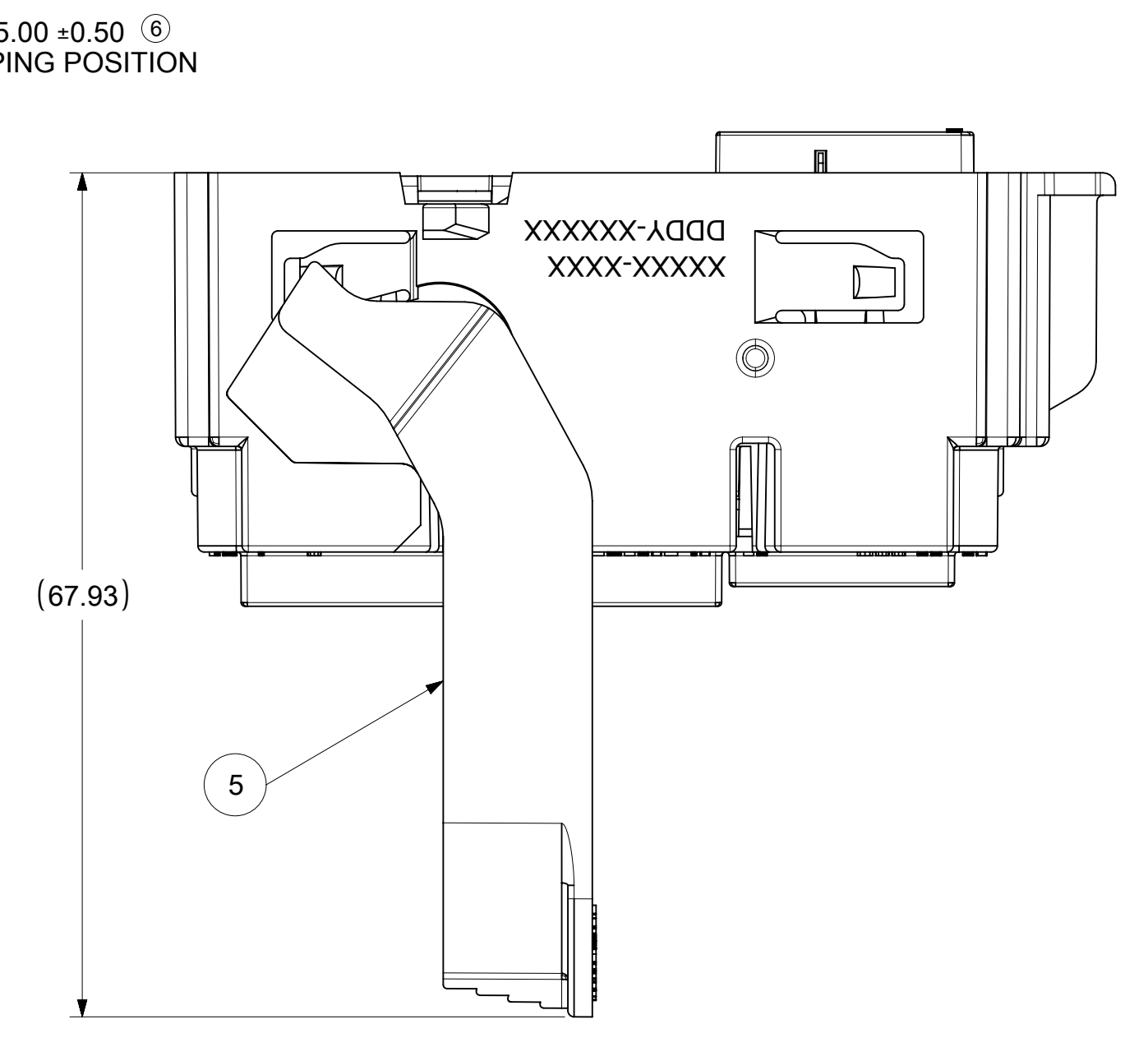
FULL SIZE VIEWS

| BILL OF MATERIAL | | | | | | | | | |
|------------------|-------|----------------------|--|---------|----------------|--------------|--|--|--|
| QTY. | ITEMS | SUPPLIER PART NUMBER | DESCRIPTION | COLOR | RECYCLING CODE | WEIGHT (EST) | | | |
| | 1 | 347450501 | OUTER SHROUD HOUSING KEYING OPTION "1" | BLACK | >PA66-GF35< | 26.24g | | | |
| | 1 | 347450502 | OUTER SHROUD HOUSING KEYING OPTION "2" | BLACK | >PA66-GF35< | 26.24g | | | |
| | 1 | 347450503 | OUTER SHROUD HOUSING KEYING OPTION "3" | BLACK | >PA66-GF35< | 26.24g | | | |
| | 1 | 347450504 | OUTER SHROUD HOUSING KEYING OPTION "4" | BLACK | >PA66-GF35< | 26.24g | | | |
| 1 | 1 | 347450505 | OUTER SHROUD HOUSING KEYING OPTION "5" | BLACK | >PA66-GF35< | 26.24g | | | |
| 1 | 1 | 347450300 | CAVITY SECTION HOUSING | BLACK | >PA66-GF35< | 19.88g | | | |
| 1 | 1 | 349920401 | TPA | NATURAL | >PA66-GF35< | 7.77g | | | |
| 1 | 1 | 347450801 | MATE ASSIST LEVER END LATCH | GRAY | >PA66-GF35< | 6.54g | | | |
| 1 | 1 | 347450802 | MATE ASSIST LEVER TOP LATCH | GRAY | >PA66-GF35< | 6.10g | | | |
| 1 | 1 | 347450600 | GROMMET SEAL | GREEN | NA | 5.94g | | | |
| 1 | 1 | 347450700 | INTERFACIAL SEAL | GREEN | NA | 1.47g | | | |
| 2 | 2 | 347450805 | LEVER ARM | GRAY | >PA66-GF35< | 0.55g | | | |
| 349929001 | | | | | | | | | |
| 349928001 | | | | | | | | | |
| 349927001 | | | | | | | | | |
| 349926001 | | | | | | | | | |
| 349925001 | | | | | | | | | |
| 349924001 | | | | | | | | | |
| 349923001 | | | | | | | | | |
| 349922001 | | | | | | | | | |
| 349920001 | | | | | | | | | |
| | | | MOLEX ASSY PART NUMBER | | | | | | |
| | | | ALL CAVITY PLUGS REMOVED | | | | | | |

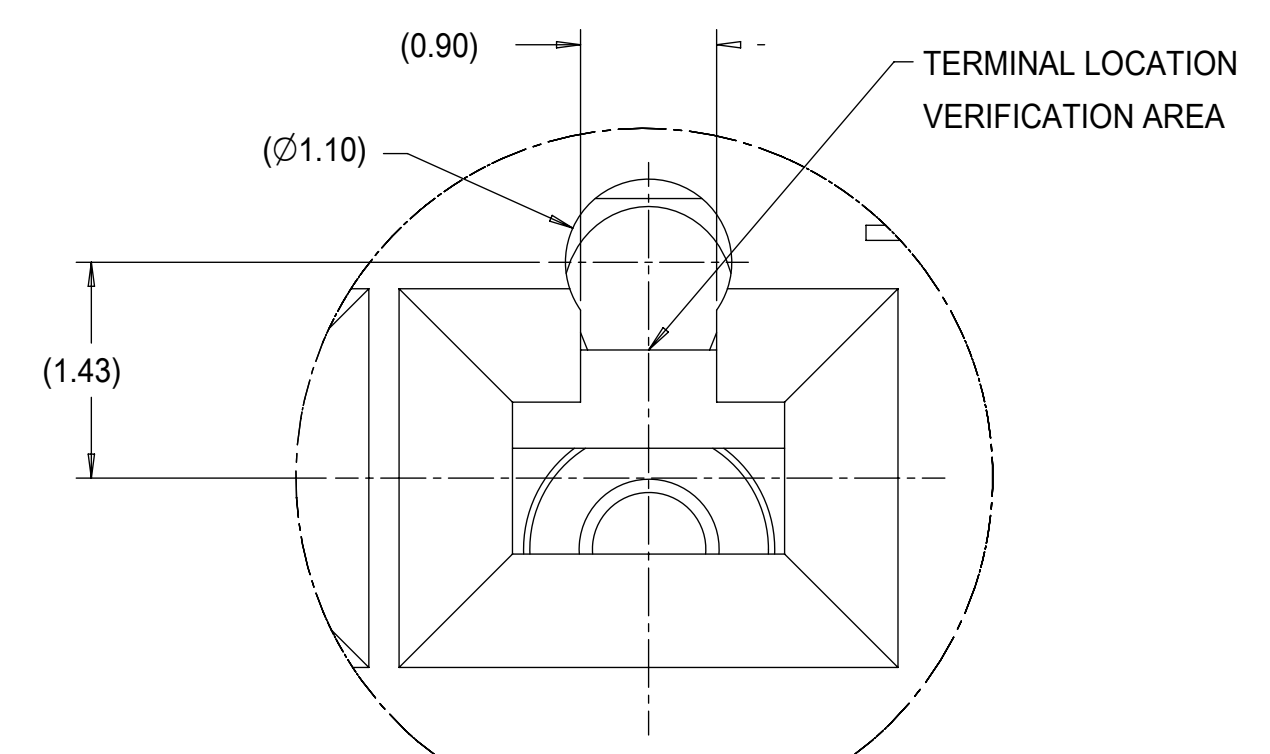
- NOTES: UNLESS OTHERWISE SPECIFIED
- PART MUST CONFORM TO USCAR/SAE-2 REV 5 DATED NOV2007. EXCEPTIONS: NONE
 - THE OPERATING ENVIRONMENT CRITERIA FOR THIS CONNECTOR SYSTEM IS USCAR TEMPERATURE CLASS 3, SEALING CLASS S3 AND VIBRATION CLASS V1.
 - ASSEMBLIES WILL ONLY PASS THE HIGH PRESSURE SPRAY REQUIREMENT WITH A WIRE DRESS COVER ATTACHED
 - MAXIMUM LEVER ENGAGEMENT FORCE POPULATED WITH TERMINALS IS NOT TO EXCEED 75N.
 - TERMINAL TPA/PLR IS SHIPPED TO HARNESS MANUFACTURER IN PRE-LOAD POSITION AS SHOWN.
 - ALL PLASTIC PARTS MUST HAVE MATERIAL IDENTIFICATION SYMBOLS CLEARLY MARKED, WHEREVER PACKAGE SIZE PERMITS.
 - ENGINEERING APPROVAL REQUIRED FOR ALL SOURCING AND TOOLING OF THIS PART.
 - FOR ENGINEERING APPROVED SOURCE SEE ENGINEERING RELEASE.
 - ENGINEERING APPROVAL OF SAMPLE FROM SUPPLIER IS REQUIRED PRIOR TO AUTHORIZATION OF PART PRODUCTION.
 - CHANGES IN DESIGN COMPOSITION OR PROCESSING OF THE PART PREVIOUSLY APPROVED FOR PART PRODUCTION REQUIRES PRIOR ENGINEERING APPROVAL.
 - GENERAL TOLERANCE:
LINEAR DIMENSION: ±0.10
ANGULAR DIMENSION: ±3°
 - 0.3 MAXIMUM RADIUS PERMISSIBLE ON EDGES AND FILLETS SHOWN AS SHARP FOR PLASTIC PARTS.
 - PARTS ARE TO BE FREE OF SCRATCHES, DISCOLORATION, SALT RESIDUE, OR OTHER IMPERFECTIONS THAT MAY AFFECT FUNCTION OR FIT OF PART.
 - 25% MAXIMUM REGRIND ALLOWABLE.
 - SEE MOLEX APPLICATION SPEC AS-34992-001 FOR CONNECTOR SERVICE & USAGE INSTRUCTIONS.
 - OPTIONAL WIREDRESS COVERS FOR THE AROUND-THE-END LEVER OPTION: ARE SHIPPED SEPARATELY.
 - WIREDRESS COVER FOR THE OVER-THE-TOP LEVER OPTION IS SHIPPED SEPARATELY.
 - OPTIONAL 0.64 LOOSE PIECE PLUG, 34676-0002 IS SHIPPED SEPARATELY.
 - OPTIONAL 1.5 LOOSE PIECE PLUG, 34345-4001, IS SHIPPED SEPARATELY.
 - MOLEX MX150 TERMINAL REMOVAL TOOL P/N 63813-1500.
 - MOLEX 0.64 TERMINAL REMOVAL TOOL P/N 63813-3501.
 - TPA/PLR MUST BE REMOVED TO SERVICE THE 0.64 TERMINALS.
 - TPA SEATING TOOL P/N 346760200 / 346760201 SEE SHEET 2 FOR ADDITIONAL INFORMATION
 - FOR PINOUT AND DRESS COVER CONFIGURATION CHART SEE DOCUMENT: 349920002-SD



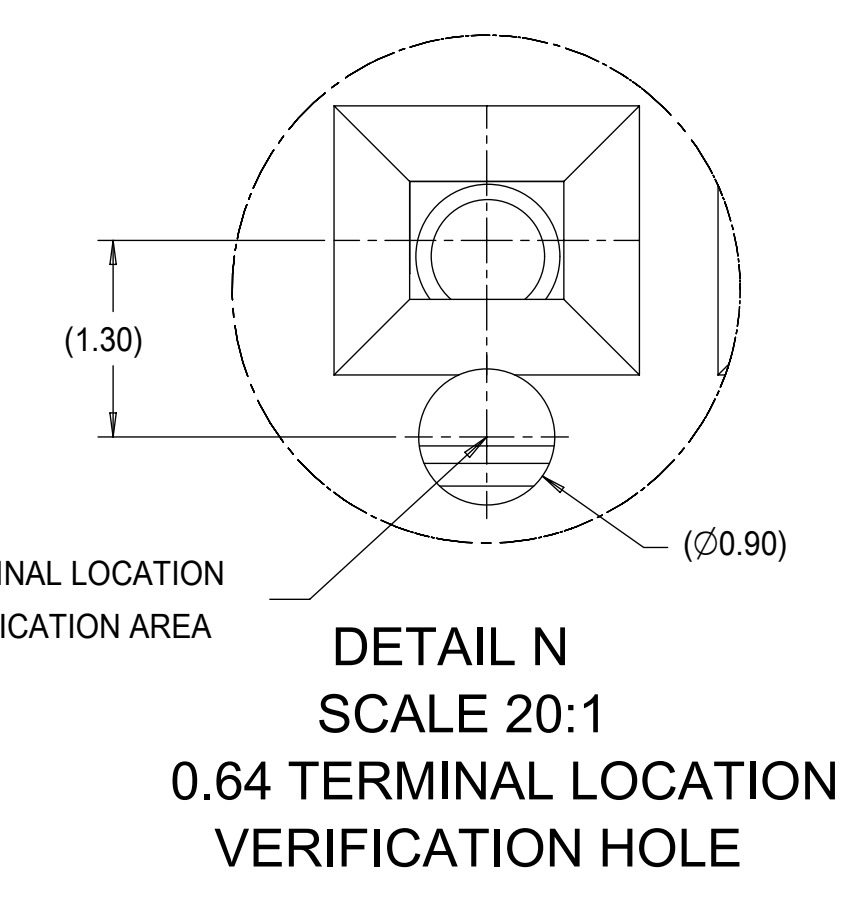
TPA SHOWN IN OPEN POSITION AND LEVER IN PRE-MATE OPTION



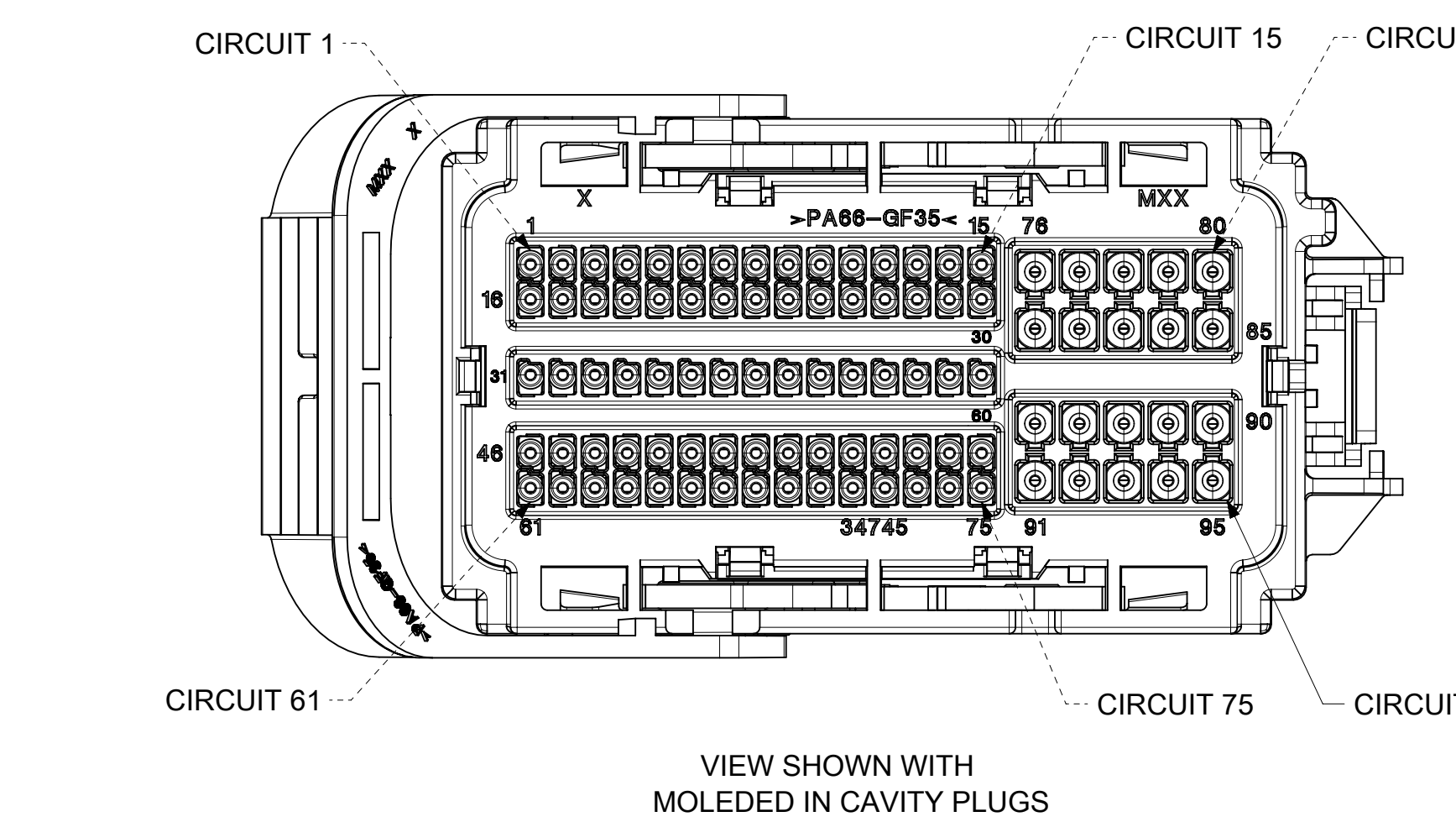
TPA SHOWN IN CLOSED POSITION AND LEVER IN MATE POSITION
LOCKING FEATURES DESIGNED INTO WIRE DRESS COVER FOR THIS LEVER



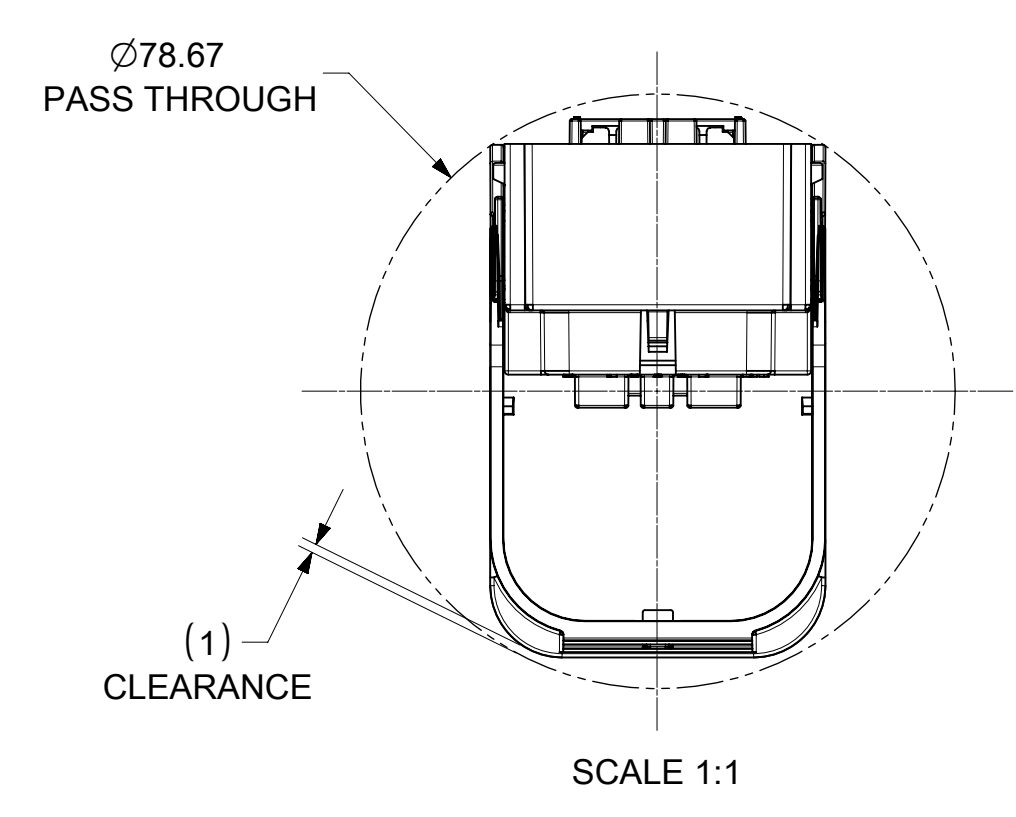
DETAIL M
SCALE 20:1
1.5 TERMINAL LOCATION
VERIFICATION HOLE



DETAIL N
SCALE 20:1
0.64 TERMINAL LOCATION
VERIFICATION HOLE



VIEW SHOWN WITH MOLDED IN CAVITY PLUGS



SCALE 1:1

OVER-THE-TOP LEVER OPTION
P/N 34992-1001, KEY 1

| | | | |
|--|---|---|-------|
| SYMBOLS | | THIS DRAWING CONTAINS INFORMATION THAT IS PROPRIETARY TO MOLEX ELECTRONIC TECHNOLOGIES, LLC AND SHOULD NOT BE USED WITHOUT WRITTEN PERMISSION | |
| ▽ = 0 | 0 | DIMENSION UNITS | SCALE |
| ▽ = 0 | 0 | mm | 2:1 |
| ▽ = 0 | 0 | GENERAL TOLERANCES (UNLESS SPECIFIED) | |
| ▽ = 0 | 0 | ANGULAR TOL ± | |
| ▽ = 0 | 0 | 4 PLACES ± | |
| ▽ = 0 | 0 | 3 PLACES ± | |
| ▽ = 0 | 0 | 2 PLACES ± | |
| ▽ = 0 | 0 | 1 PLACE ± | |
| ▽ = 0 | 0 | 0 PLACES ± | |
| ■ = 0 | 0 | DRAFT WHERE APPLICABLE MUST REMAIN WITHIN DIMENSIONS | |
| ▽ = 0 | 0 | THIRD ANGLE PROJECTION | |
| CURRENT REV DESC: NOTE AND TABLE UPDATED | | EC NO: 677806 | |
| | | DRWN: NBOHIDAR 2021/09/15 | |
| | | CHK'D: BDICK01 2021/09/28 | |
| | | APPR: BDICK01 2021/09/28 | |
| | | INITIAL REVISION: | |
| | | DRWN: NBOHIDAR 2018/09/01 | |
| | | APPR: APROFFITT 2018/09/07 | |
| DRAWING | | SERIES | |
| E-SIZE | | 34992 | |
| MATERIAL NUMBER | | CUSTOMER | |
| CHARTED | | GENERAL MARKET | |
| DOCUMENT NUMBER | | DOC TYPE | |
| 349920001-SD | | PSD | |
| DOC PART | | REVISION | |
| 000 | | A8 | |
| SHEET NUMBER | | | |
| 1 OF 3 | | | |

molex

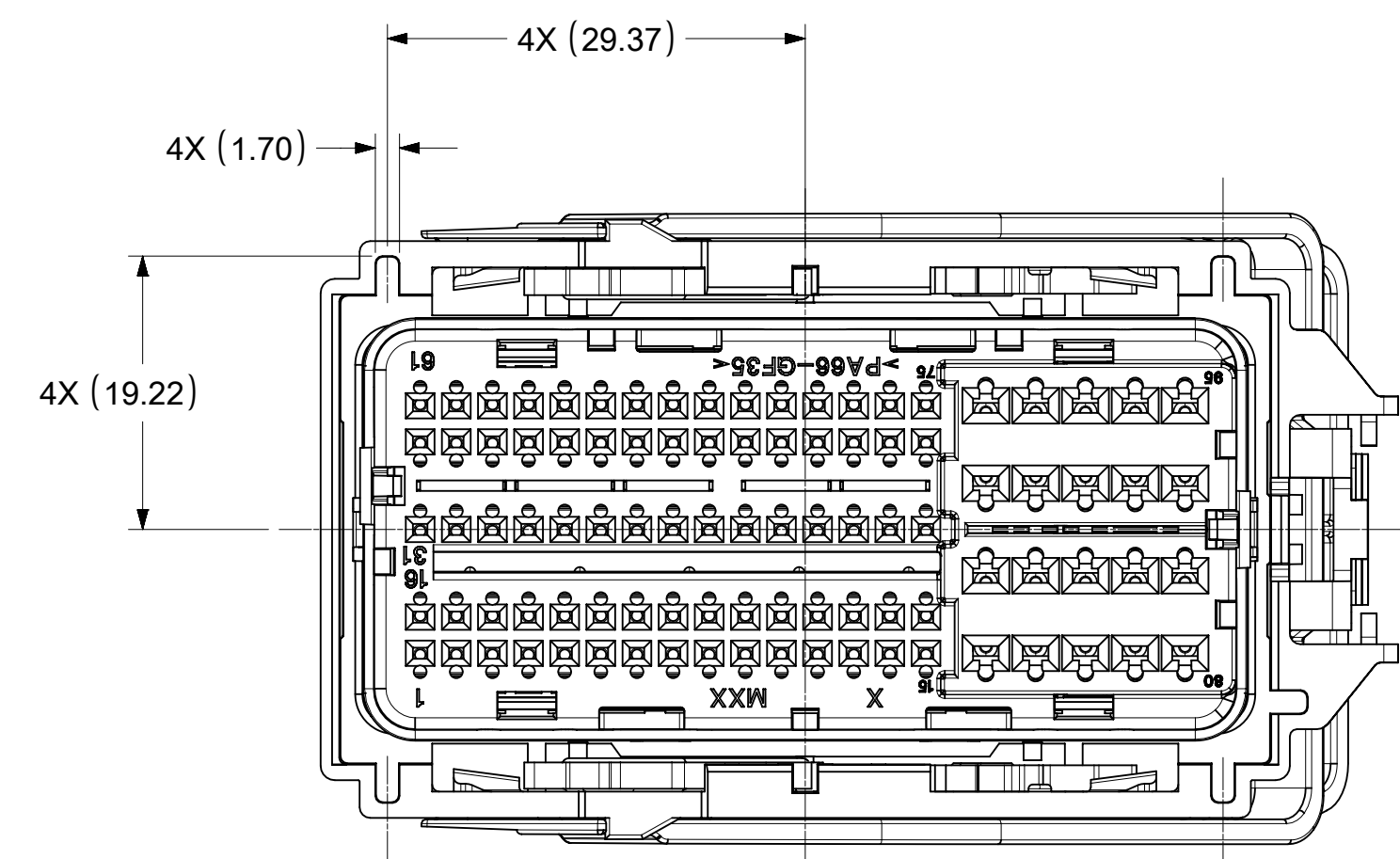
GPEC IV CONNECTOR ASSEMBLY
95 CIRCUIT

PRODUCT CUSTOMER DRAWING

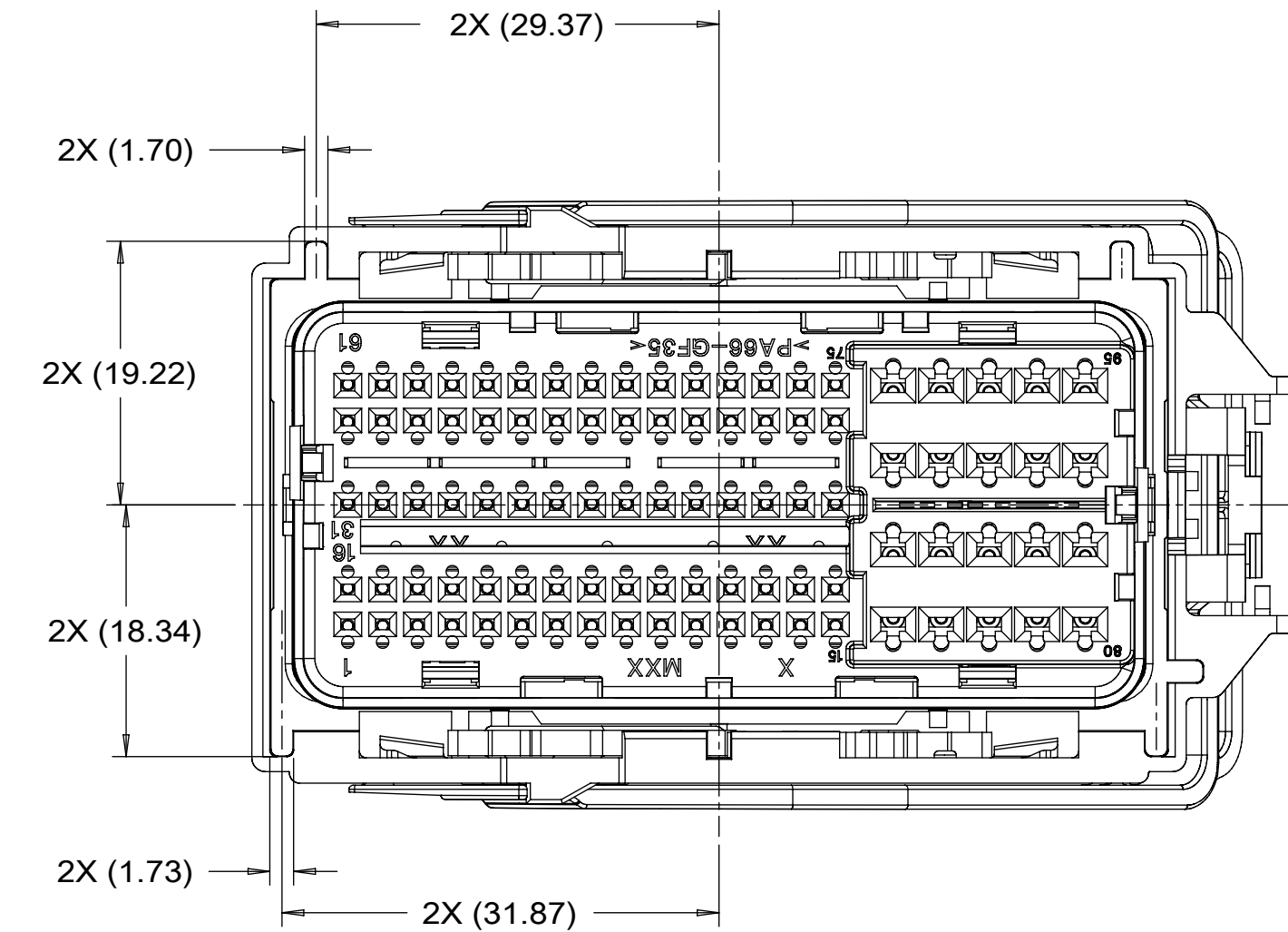
DOCUMENT NUMBER 349920001-SD DOC TYPE PSD DOC PART 000 REVISION A8

MATERIAL NUMBER CUSTOMER SHEET NUMBER CHARTED GENERAL MARKET 1 OF 3

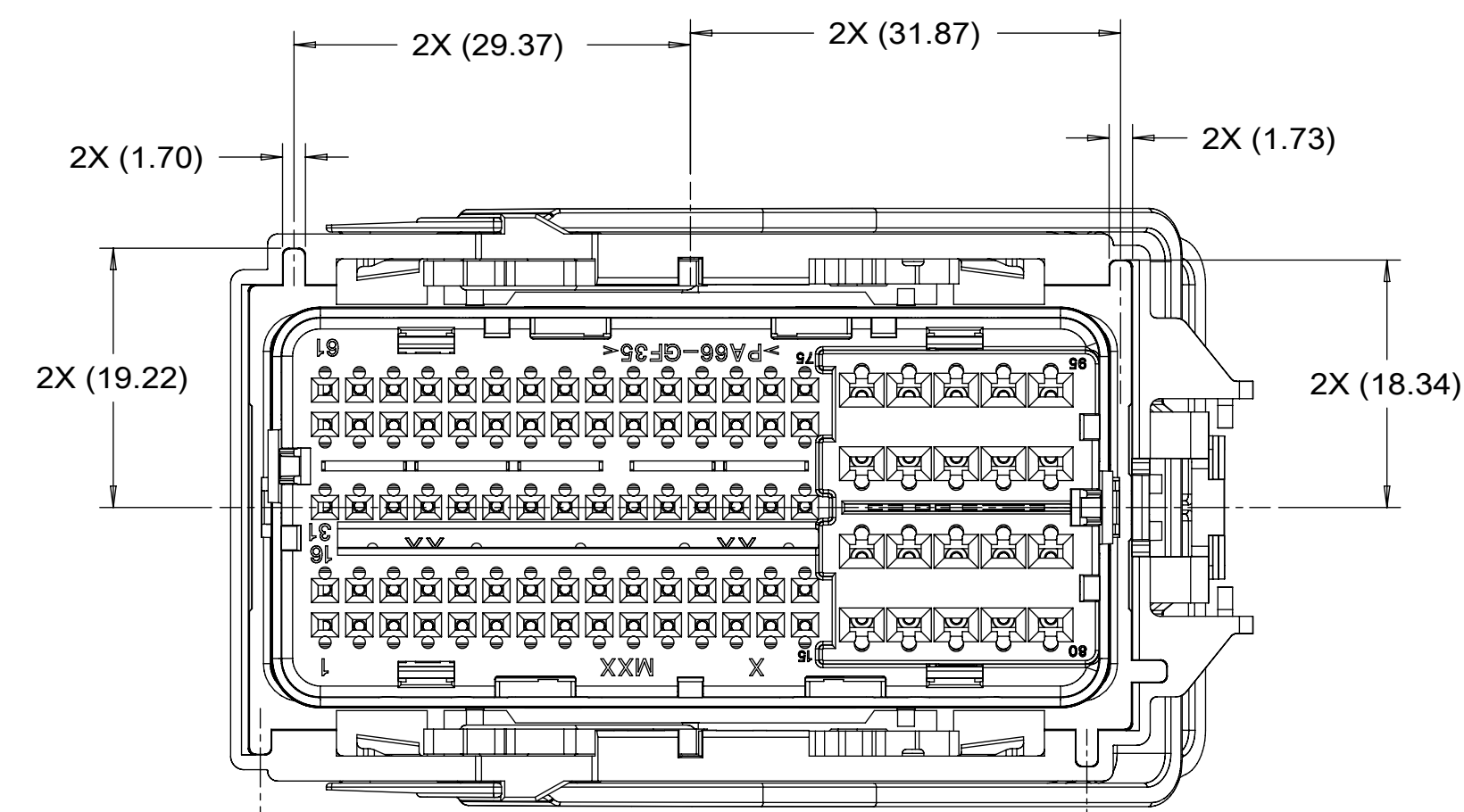
KEYWAY DEFINITION



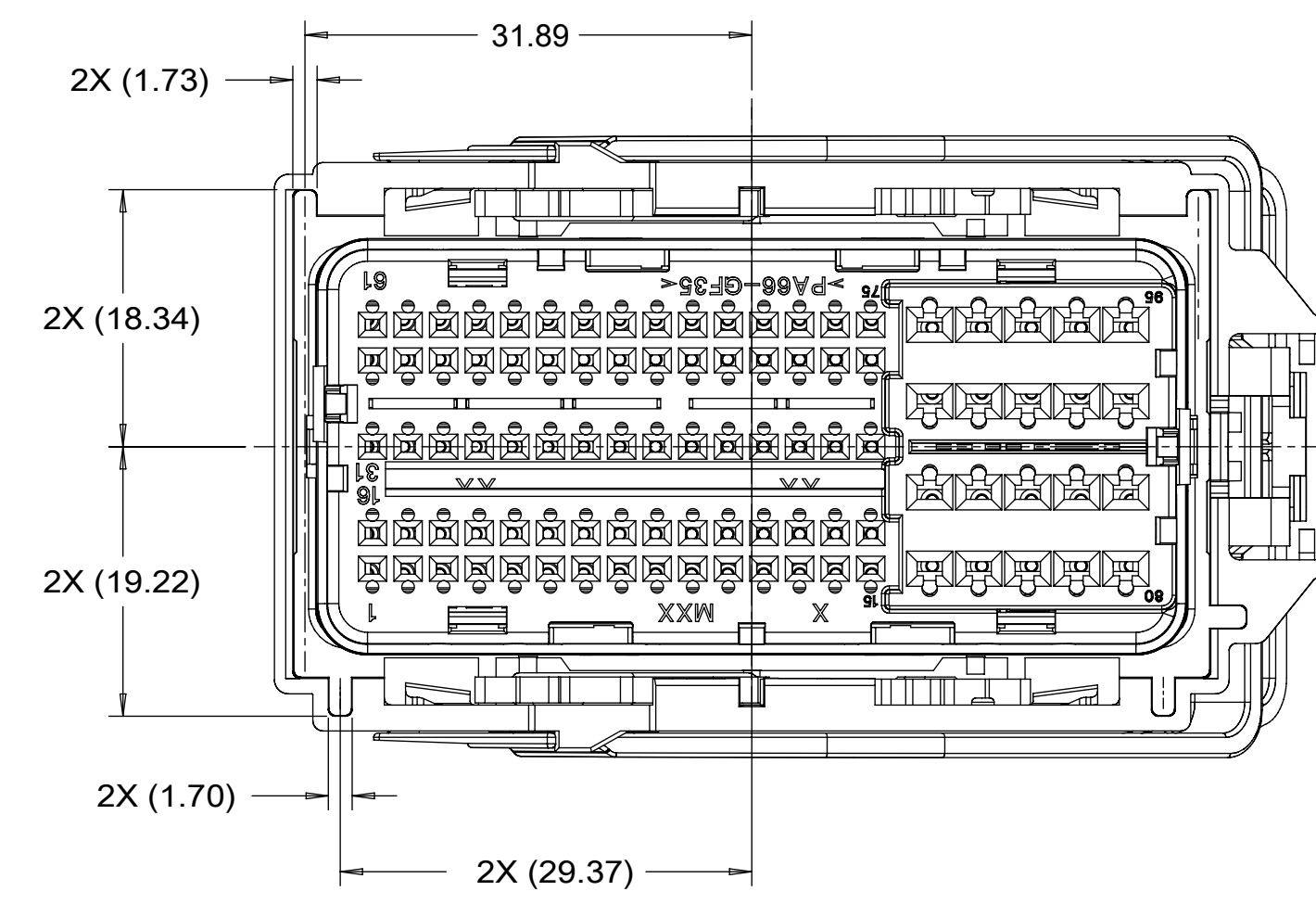
34992-0XXX (END LATCH LEVER)
34992-1XXX (TOP LATCH LEVER)
KEY OPTION 1



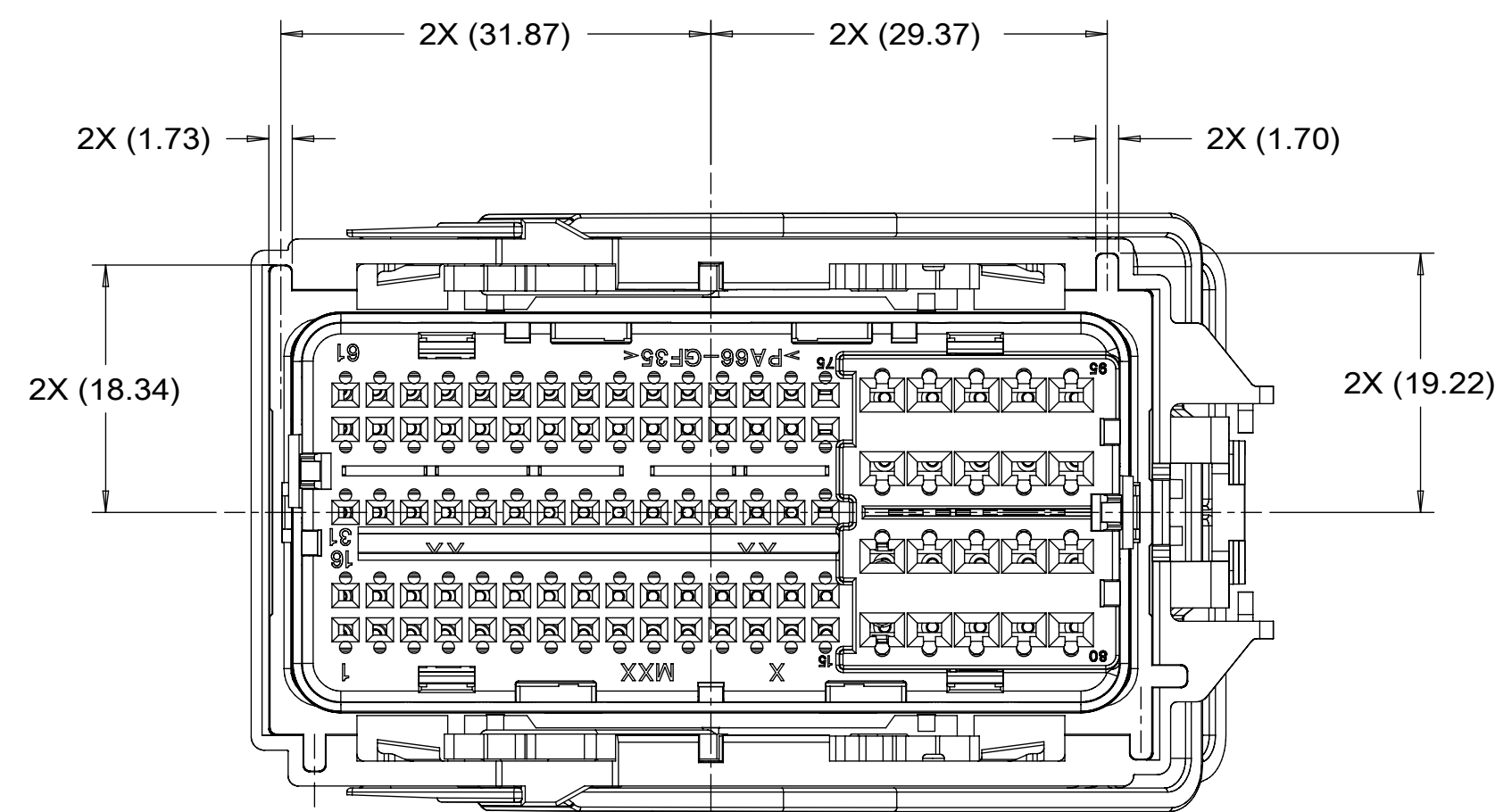
34992-6XXX (END LATCH LEVER)
34992-7XXX (TOP LATCH LEVER)
KEY OPTION 4



34992-2XXX (END LATCH LEVER)
34992-3XXX (TOP LATCH LEVER)
KEY OPTION 2

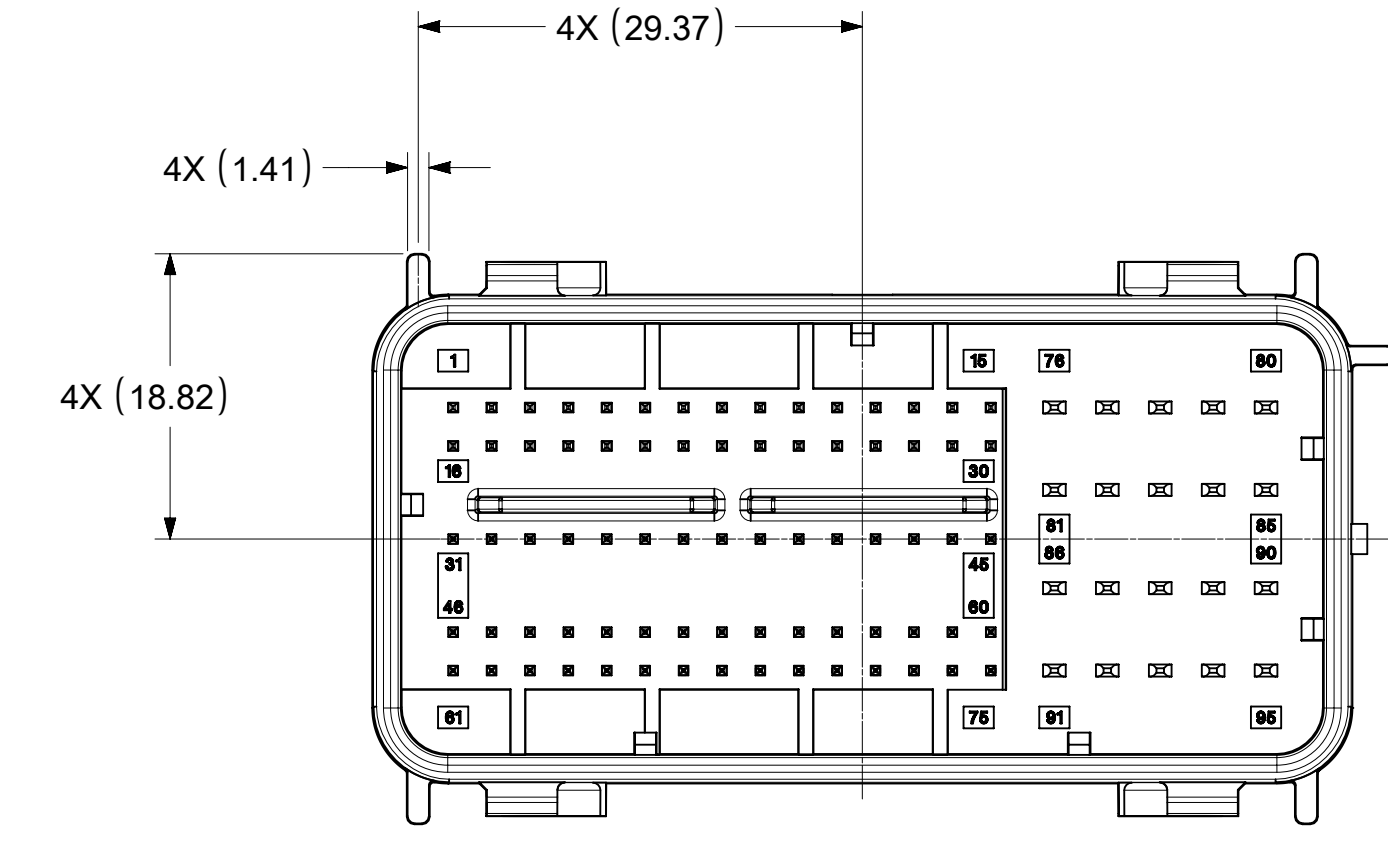


34992-8XXX (END LATCH LEVER)
34992-9XXX (TOP LATCH LEVER)
KEY OPTION 5

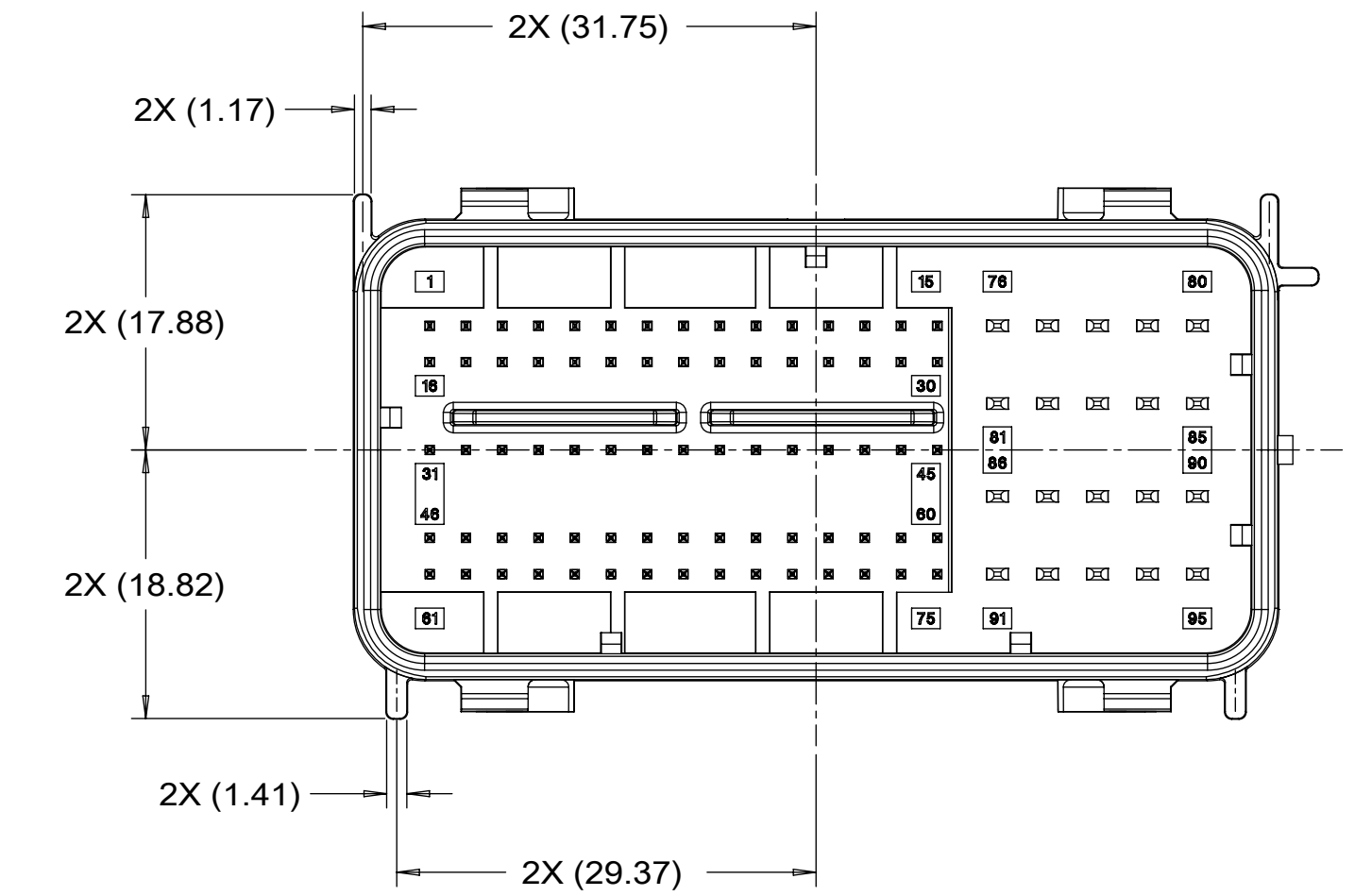


34992-4XXX (END LATCH LEVER)
34992-5XXX (TOP LATCH LEVER)
KEY OPTION 3

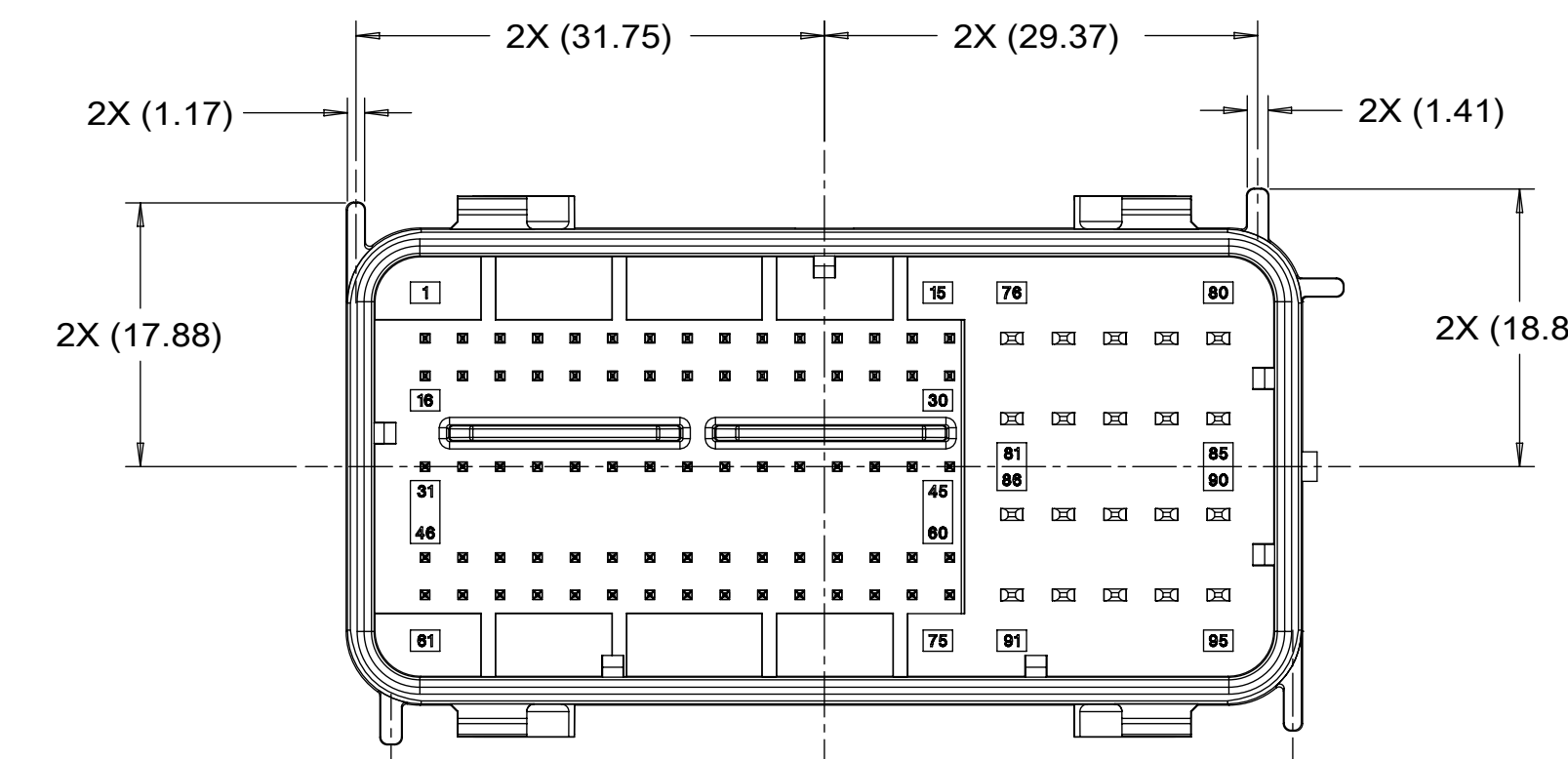
RECOMMENDED MATING INTERFACE



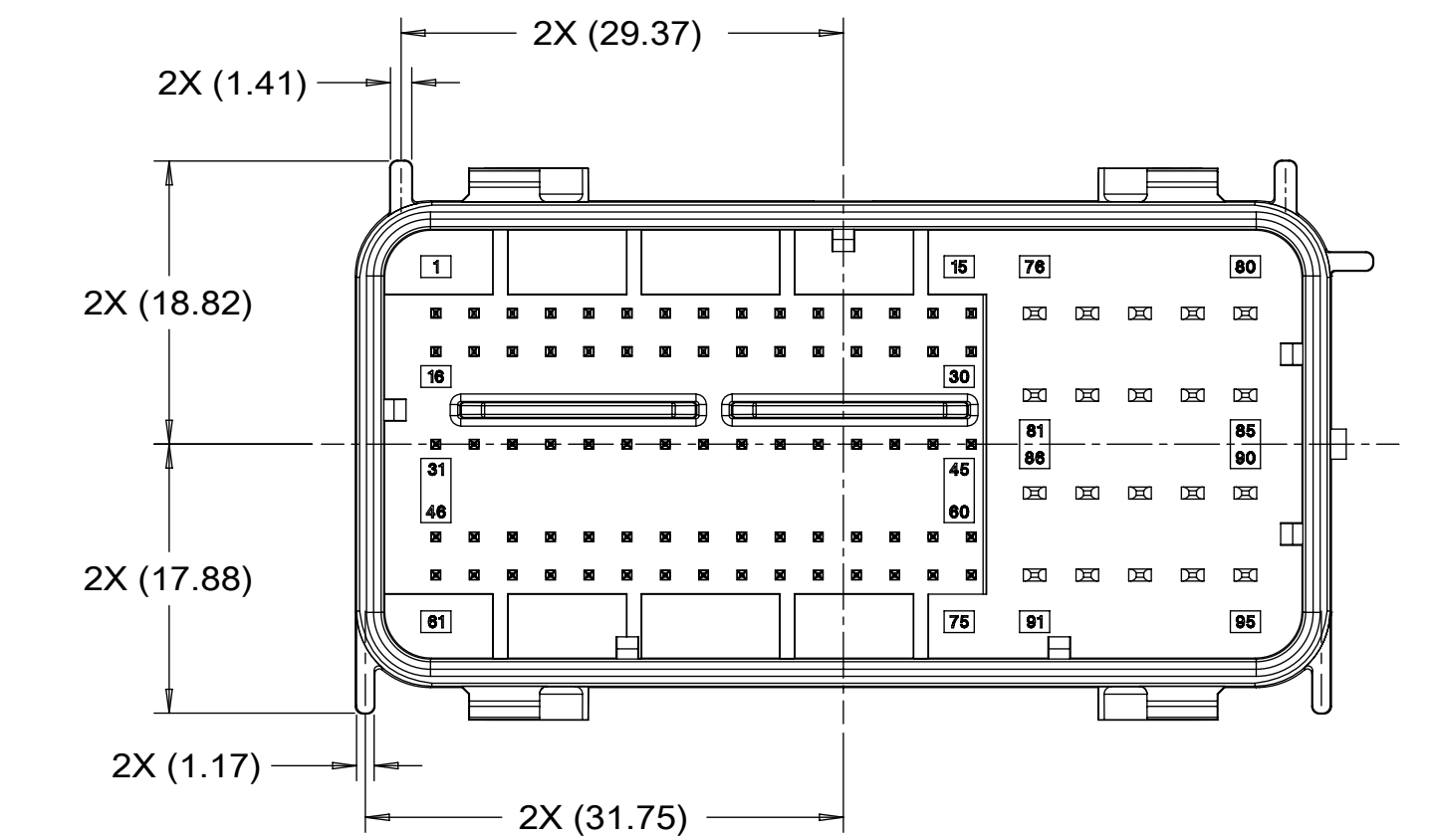
KEY OPTION 1



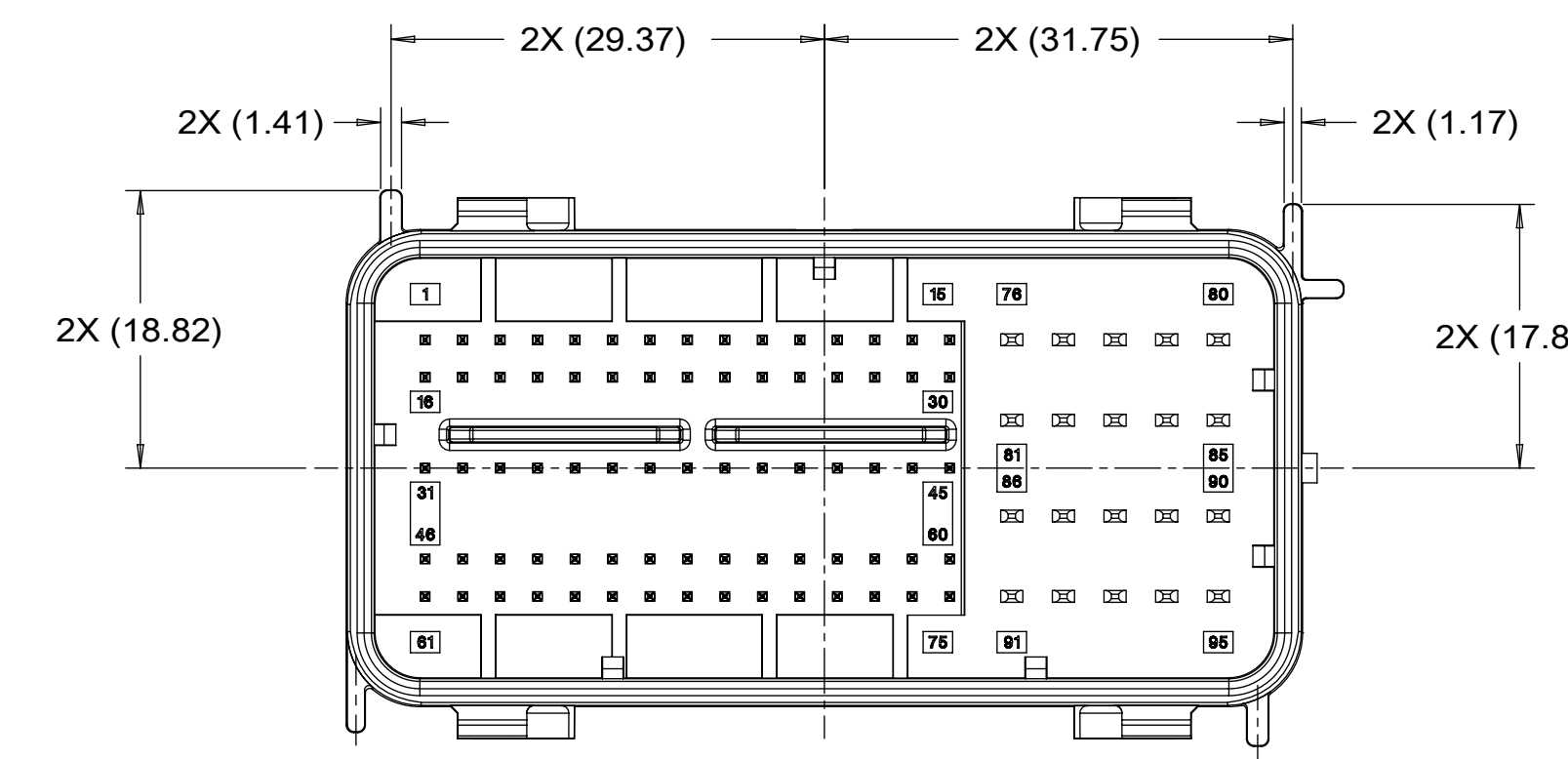
KEY OPTION 4



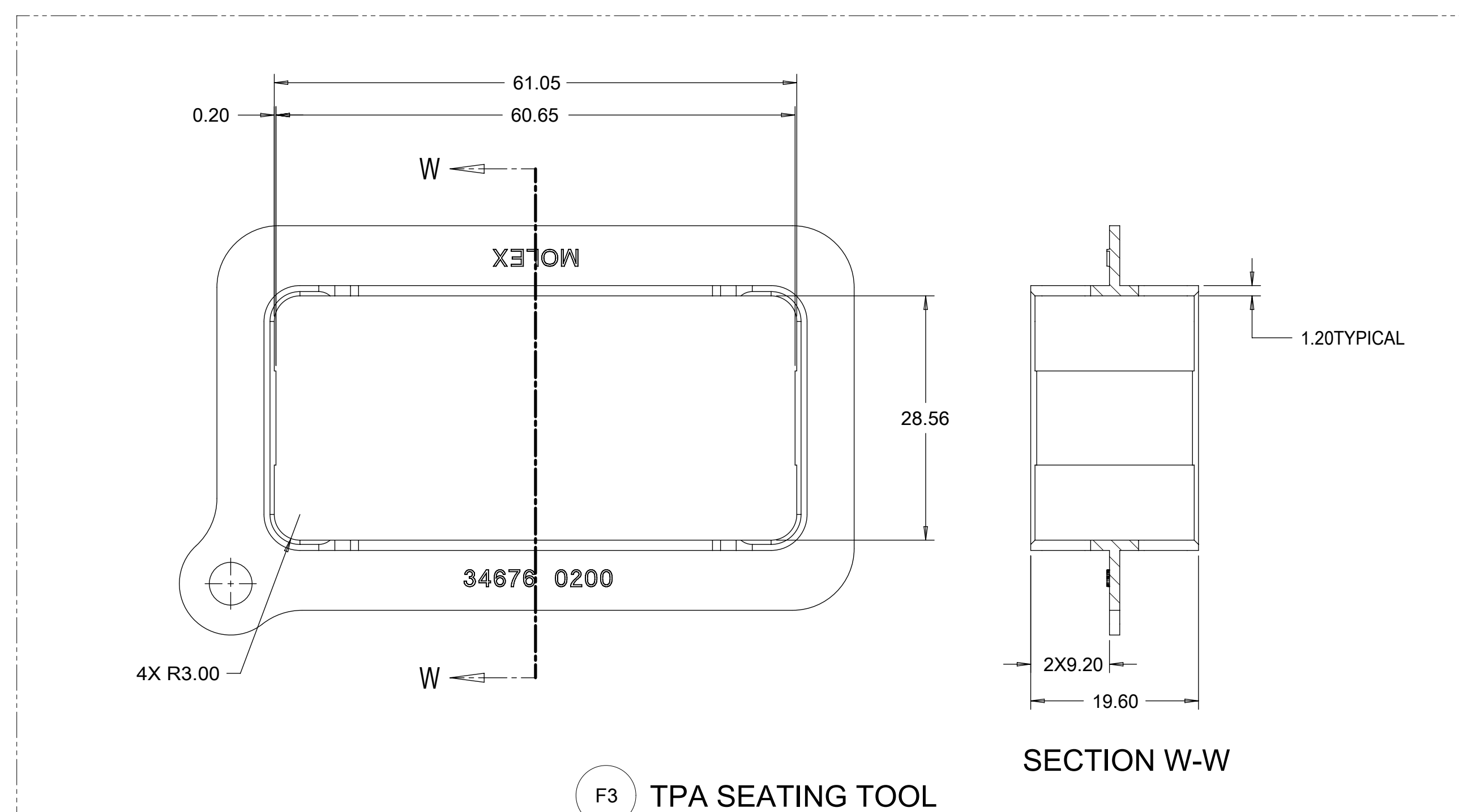
KEY OPTION 2



KEY OPTION 5

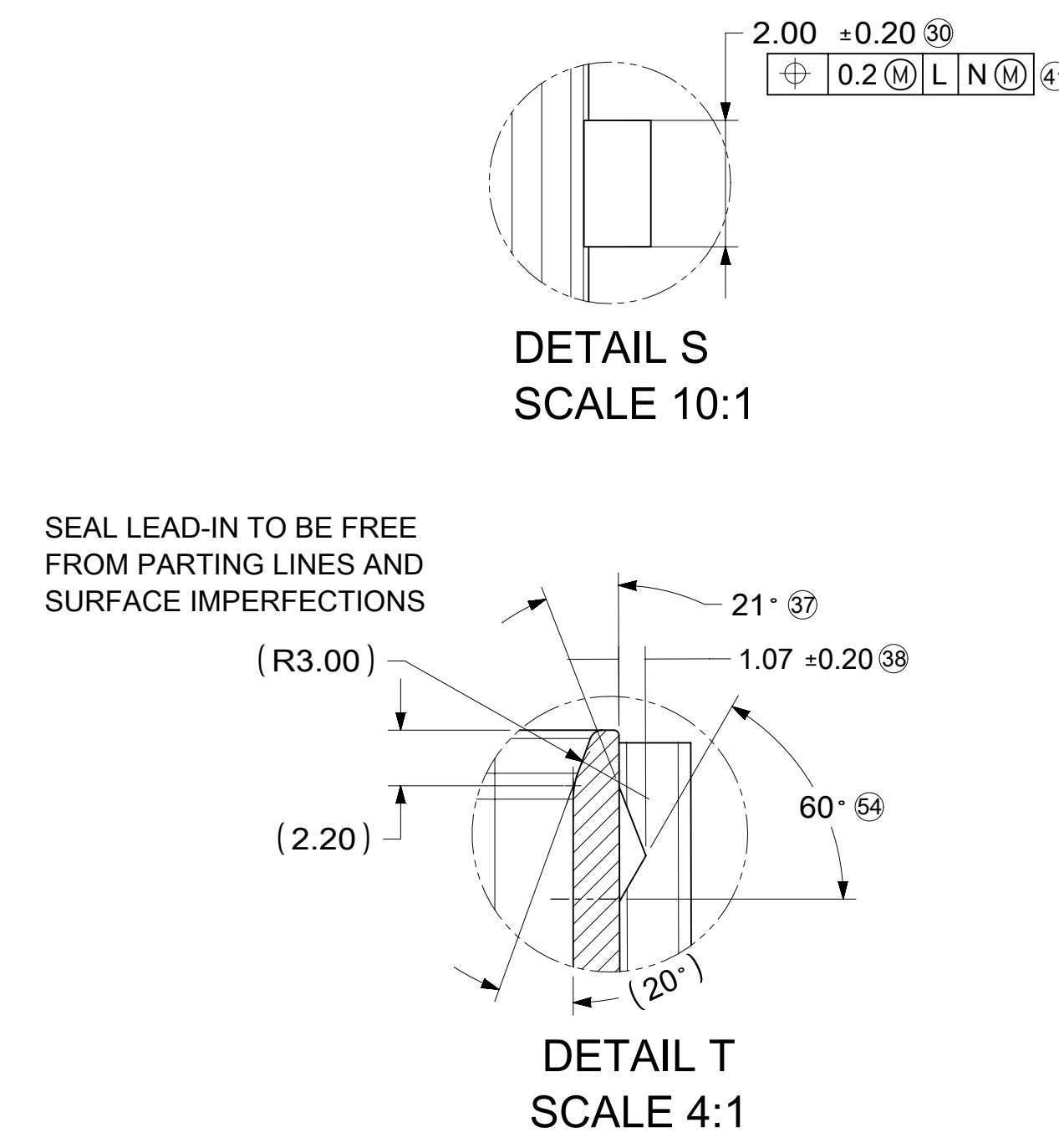
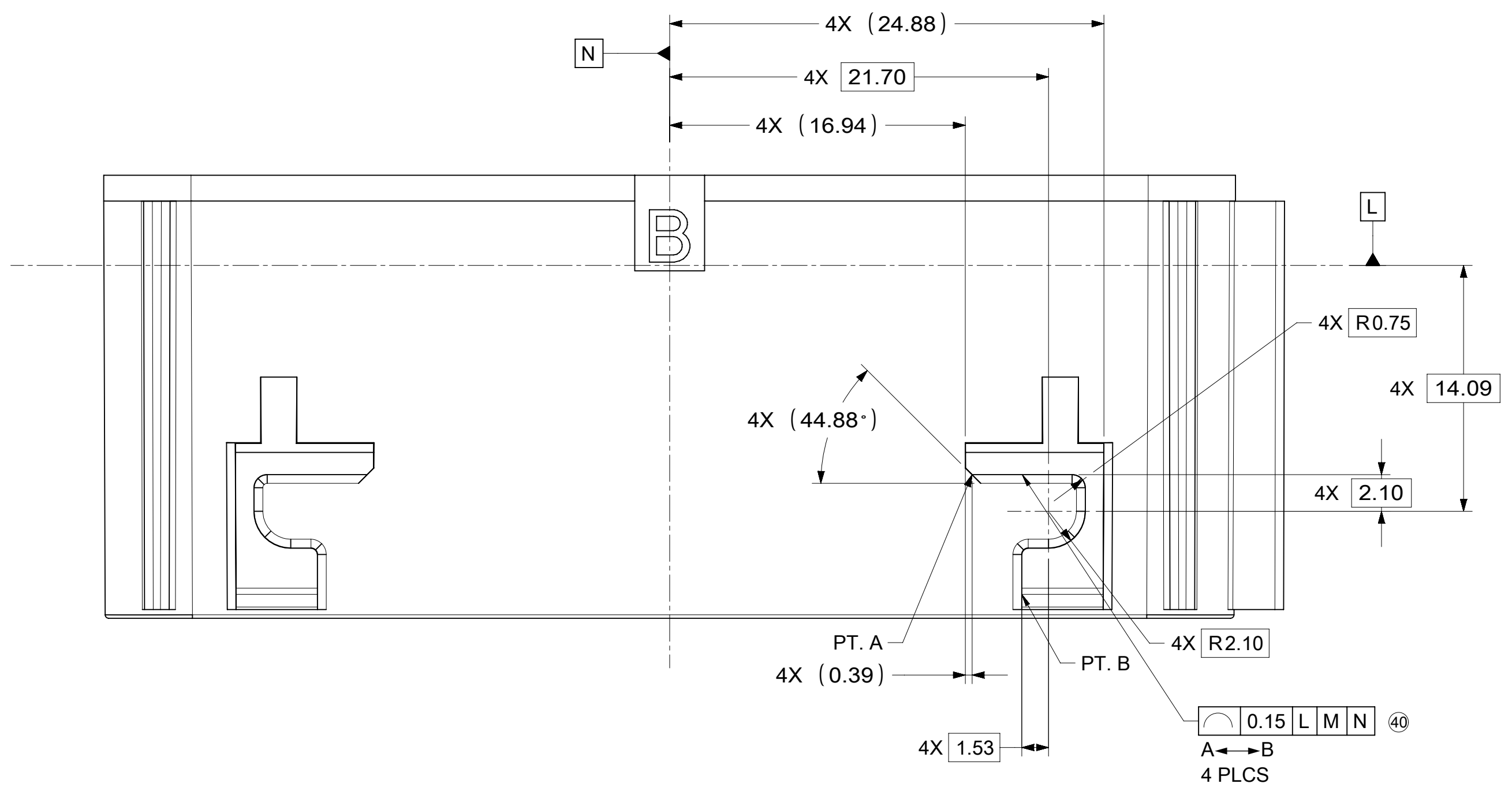
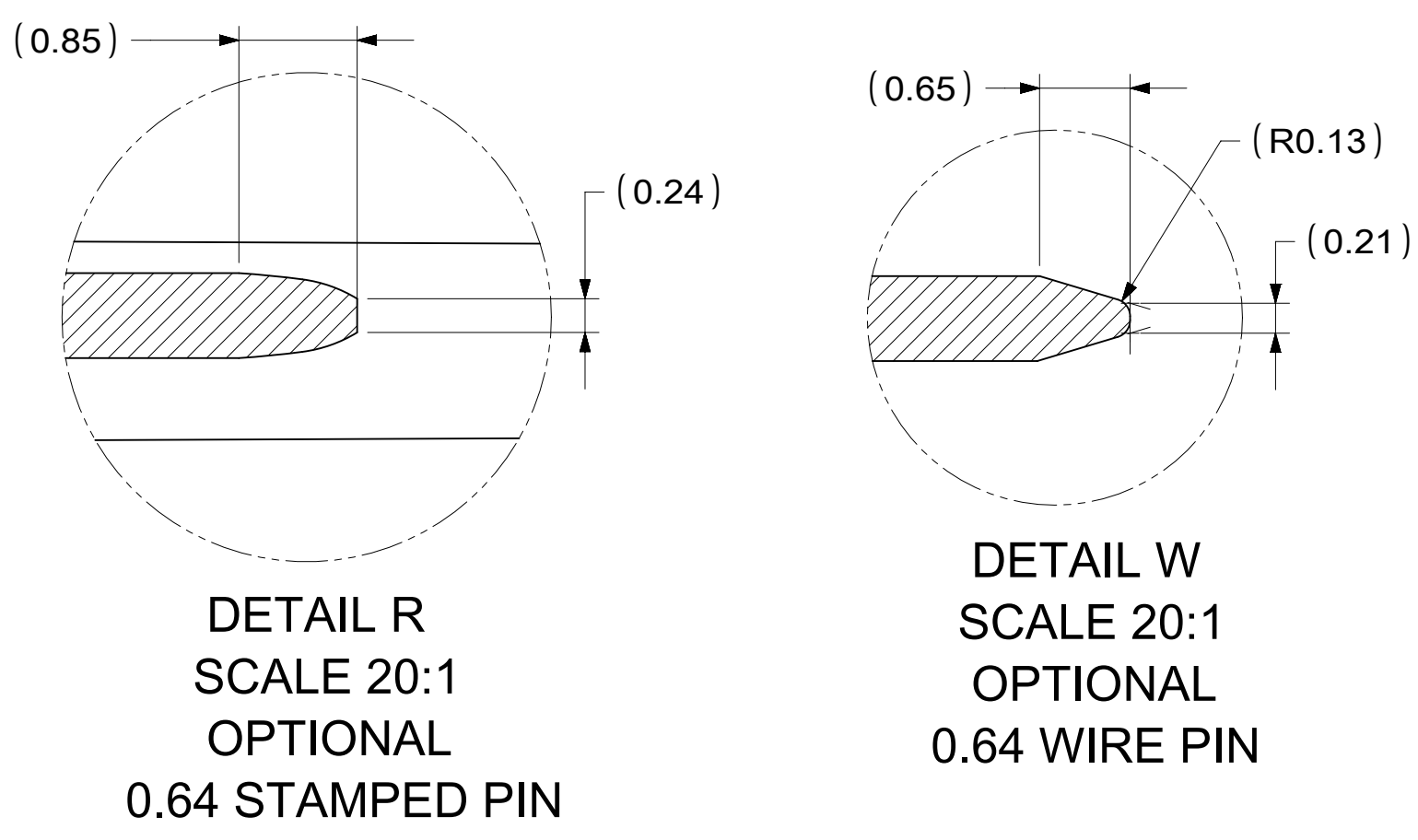


KEY OPTION 3

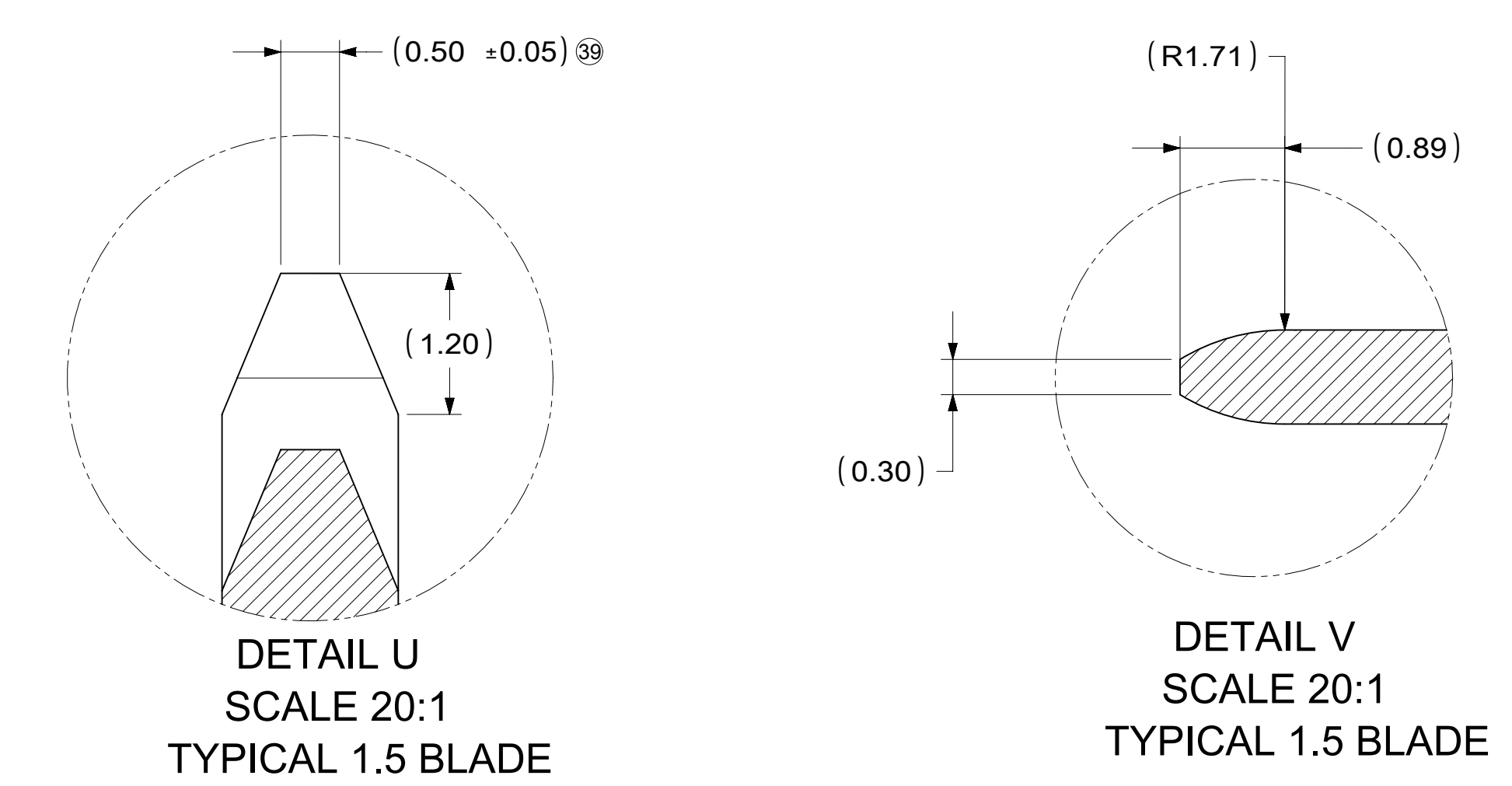
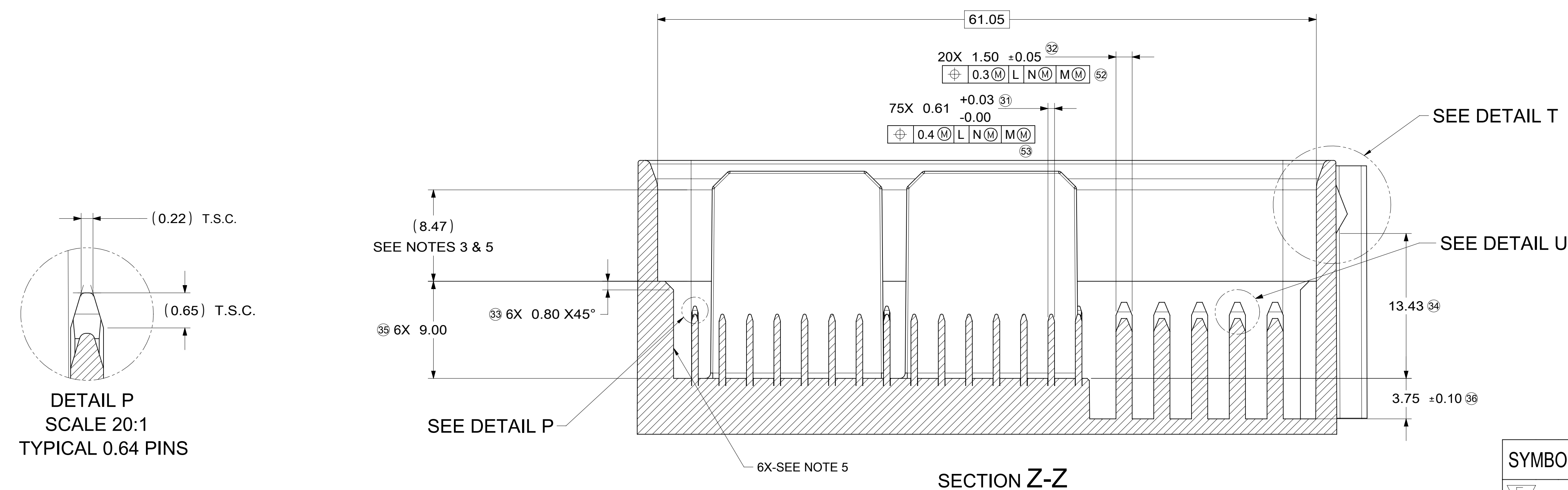
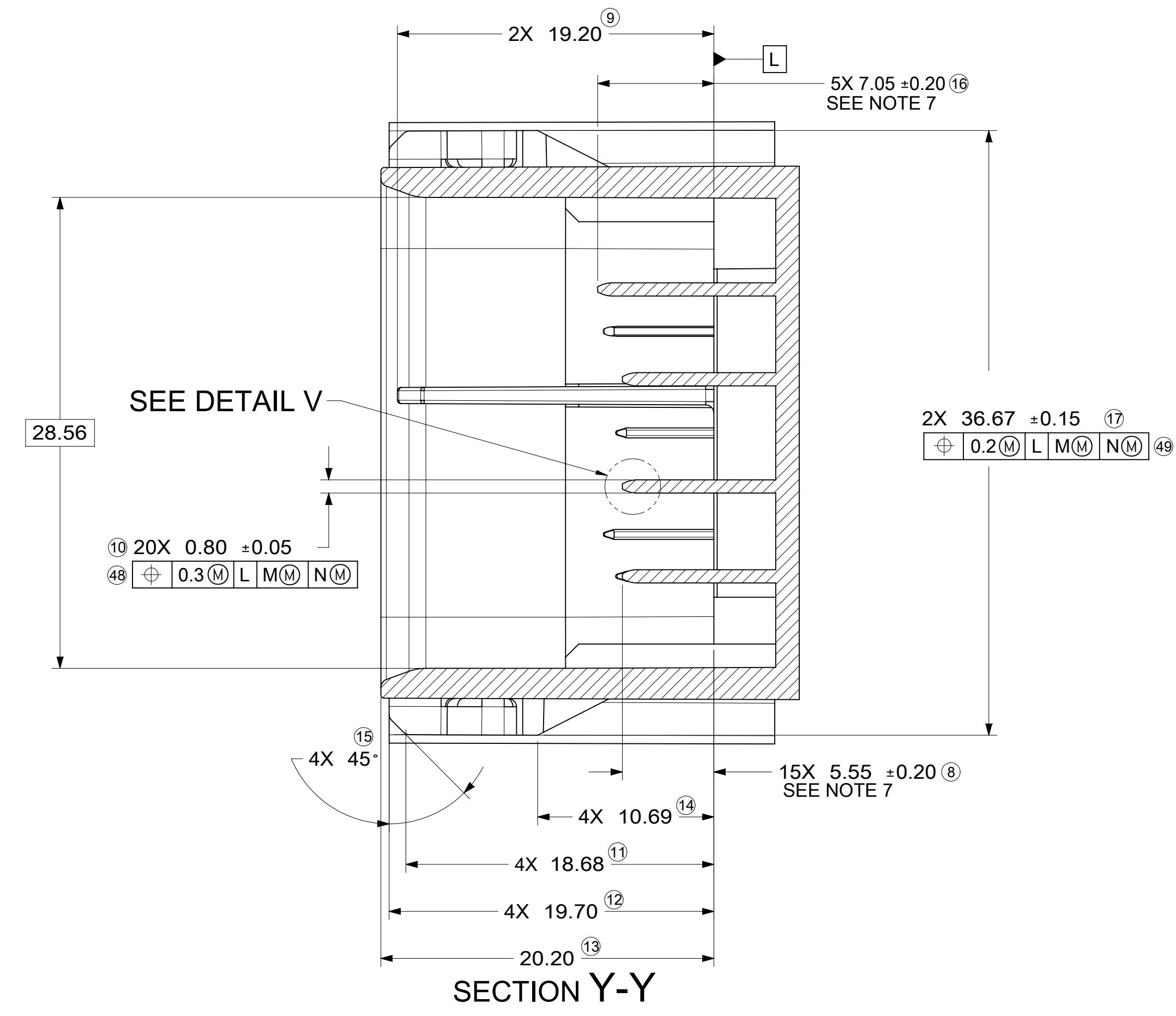
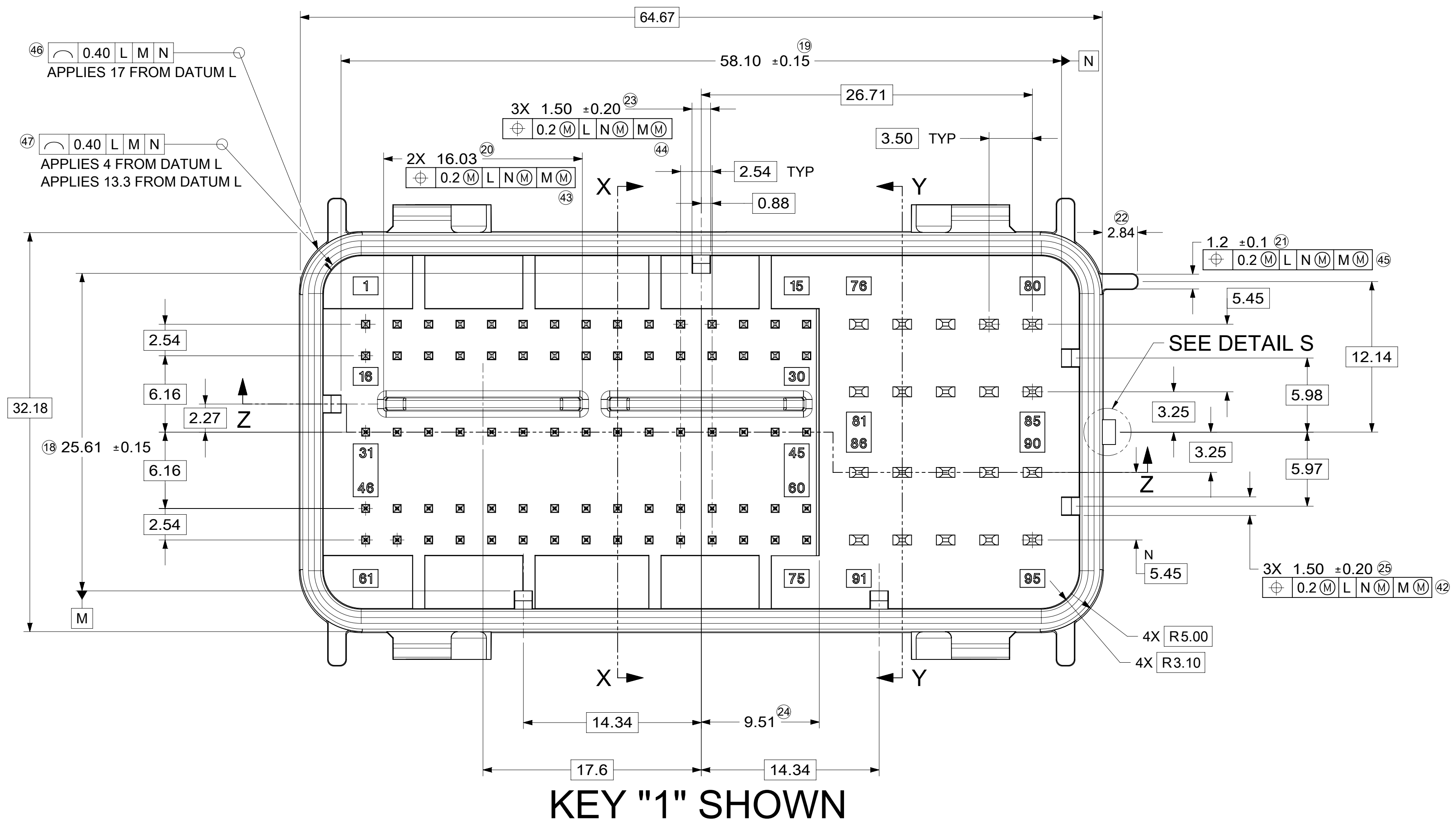
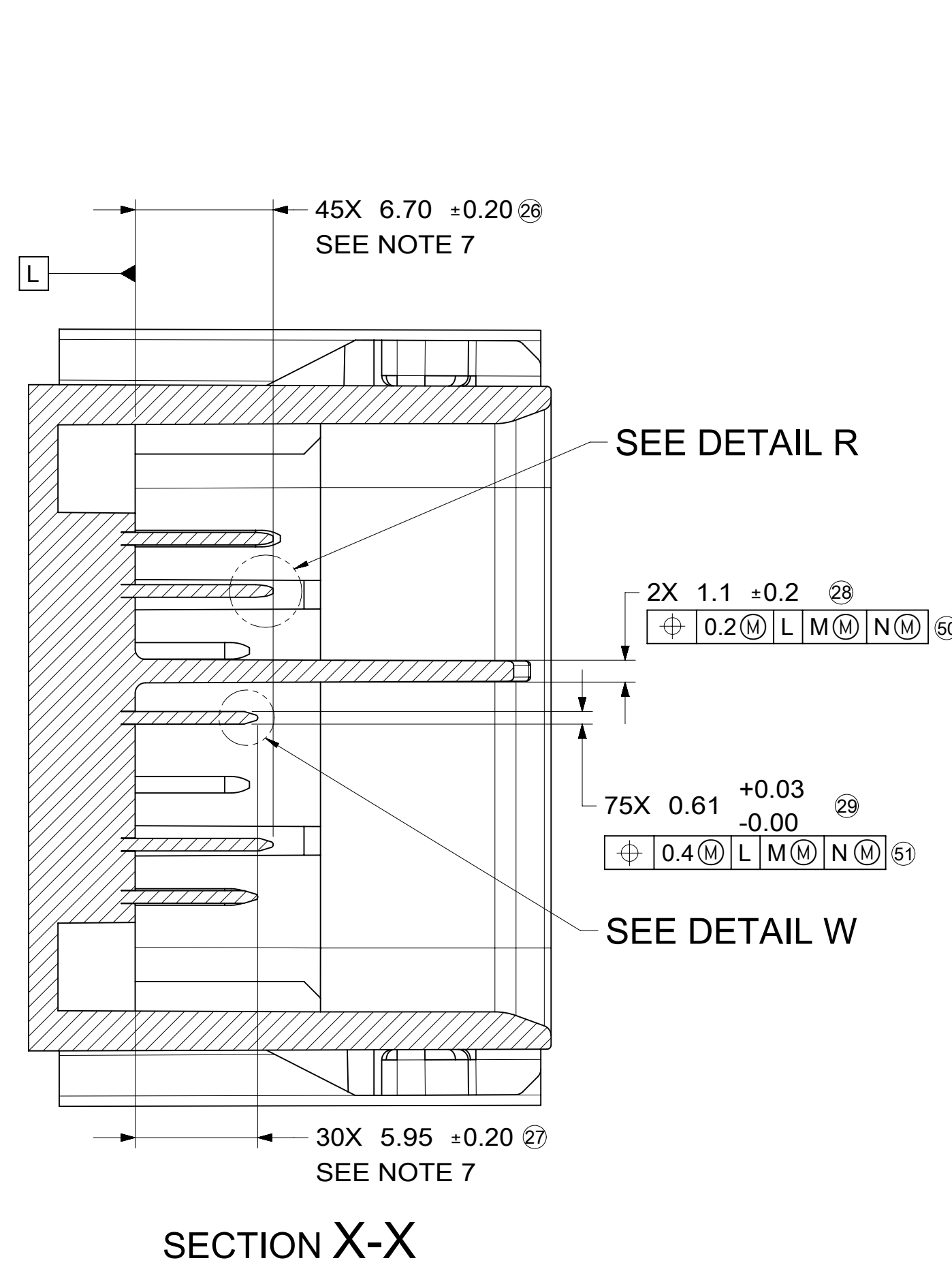


| | | | | | | |
|---------|---|-------|----------------------------|--------|--------------|--|
| SYMBOLS | THIS DRAWING CONTAINS INFORMATION THAT IS PROPRIETARY TO MOLEX ELECTRONIC TECHNOLOGIES, LLC AND SHOULD NOT BE USED WITHOUT WRITTEN PERMISSION | | | | | |
| | DIMENSION UNITS | SCALE | | | | |
| ▽ = 0 | mm | 2:1 | EC NO: 677806 | | | GPEC IV CONNECTOR ASSEMBLY 95 CIRCUIT |
| ▽ = 0 | GENERAL TOLERANCES (UNLESS SPECIFIED) | | DRWN: NBOHIDAR 2021/09/15 | | | |
| ▽ = 0 | ANGULAR TOL ± | | CHK'D: BDICK01 2021/09/28 | | | |
| ▽ = 0 | 4 PLACES | | APPR: BDICK01 2021/09/28 | | | |
| ▽ = 0 | 3 PLACES | | INITIAL REVISION: | | | |
| ▽ = 0 | 2 PLACES | | DRWN: NBOHIDAR 2018/09/01 | | | |
| ▽ = 0 | 1 PLACE | | APPR: APROFFITT 2018/09/07 | | | |
| ▽ = 0 | DRAFT WHERE APPLICABLE MUST REMAIN WITHIN DIMENSIONS | | THIRD ANGLE PROJECTION | E-SIZE | SERIES 34992 | DOCUMENT NUMBER 349920001-SD |
| ▽ = 0 | | | | | | DOC TYPE PSD |
| | | | | | | DOC PART 000 |
| | | | | | | REVISION A8 |
| | | | | | | MATERIAL NUMBER CHARTED |
| | | | | | | CUSTOMER GENERAL MARKET |
| | | | | | | SHEET NUMBER 2 OF 3 |

RECOMMENDED MATING INTERFACE



- NOTES FOR INTERFACE: UNLESS OTHERWISE SPECIFIED
- GENERAL TOLERANCES:
LINEAR DIMENSIONS: +0.20
ANGULAR DIMENSIONS: +3°
 - DRAFT ANGLE PERMISSIBLE ONLY WITHIN DRAWING TOLERANCE.
 - SEAL SURFACE: NO WITNESS LINES OR IMPERFECTIONS PERMITTED IN THIS AREA.
 - ALL UNMARKED RADII TO BE 0.5 MAX. UNLESS OTHERWISE SPECIFIED.
 - ZERO DRAFT AREA
 - CONNECTION SYSTEM VALIDATED TO BE USCAR2, REVISION 5
 - PIN ROW HEIGHTS ARE INTENTIONALLY OFFSET
- POWER CONTACT PIN NOTES: (1.5 CIRCUITS)
- MATERIAL: Cu ALLOY
WITH TENSILE STRENGTH > 410 N/mm²
ELECTRICAL CONDUCTANCE > 16 Sm/mm²
(>28% IACS at 20°C)
 - BASE PLATING: 1.25-2.25µm NI OVERALL
 - REFLOW TIN PLATING: 2.5-4.0µm OVERALL
 - CONTACT MUST BE FREE OF BURRS AND SHARP EDGES.
 - PROCESS COMPONENTS IN A LOW-SULFUR ENVIRONMENT AND AVOID CONTACT WITH MATERIALS THAT TRANSFER SULFUR TO THE ENVIRONMENT.
- SIGNAL CONTACT PIN NOTES: (0.64 CIRCUITS)
- MATERIAL: Cu ALLOY
WITH TENSILE STRENGTH > 410 N/mm²
ELECTRICAL CONDUCTANCE > 16 Sm/mm²
(>28% IACS at 20°C)
 - BASE PLATING: 1.25-2.5µm NI OVERALL
 - SILVER PLATING 2-4µm Ag WITH TARNISH RESISTANT TREATMENT APPLIED TO THE ENTIRE SILVER SURFACE.
 - CONTACT MUST BE FREE OF BURRS AND SHARP EDGES.
 - FOR SILVER PLATING: ELECTRICAL PERFORMANCE IS NOT AFFECTED BY GREY OR BLACK TARNISH ON THE SILVER PLATING SURFACE. ACCEPTABLE SILVER PIN SURFACES CAN INCLUDE GREY OR BLACK TARNISH.
 - PROCESS COMPONENTS IN A LOW-SULFUR ENVIRONMENT AND AVOID CONTACT WITH MATERIALS THAT TRANSFER SULFUR TO THE ENVIRONMENT.



| | | | | | |
|---------|---|----------------------------|---|--|--|
| SYMBOLS | THIS DRAWING CONTAINS INFORMATION THAT IS PROPRIETARY TO MOLEX ELECTRONIC TECHNOLOGIES, LLC AND SHOULD NOT BE USED WITHOUT WRITTEN PERMISSION | | CURRENT REV DESC: NOTE AND TABLE UPDATED | | molex |
| | mm | SCALE 4:1 | GPEC IV CONNECTOR ASSEMBLY 95 CIRCUIT | | |
| ▽ = 0 | GENERAL TOLERANCES (UNLESS SPECIFIED) | EC NO: 677806 | PRODUCT CUSTOMER DRAWING | | DOCUMENT NUMBER 349920001-SD |
| ▽ = 0 | ANGULAR TOL ± | DRWN: NBOHIDAR 2021/09/15 | DOC TYPE DOC PART REVISION PSD 000 A8 | | |
| ▽ = 0 | 4 PLACES ± | CHK'D: BDICK01 2021/09/28 | PRODUCT CUSTOMER DRAWING | | SHEET NUMBER 3 OF 3 |
| ▽ = 0 | 3 PLACES ± | APPR: BDICK01 2021/09/28 | DOCUMENT NUMBER 349920001-SD | | |
| ▽ = 0 | 2 PLACES ± | INITIAL REVISION: | MATERIAL NUMBER | | CUSTOMER GENERAL MARKET |
| ▽ = 0 | 1 PLACE ± | DRWN: NBOHIDAR 2018/09/01 | SERIES E-SIZE 34992 | | |
| ▽ = 0 | 0 PLACES ± | APPR: APROFFITT 2018/09/07 | DRAWING DRAFT WHERE APPLICABLE MUST REMAIN WITHIN DIMENSIONS | | THIRD ANGLE PROJECTION |
| ▽ = 0 | | | DRAFT WHERE APPLICABLE MUST REMAIN WITHIN DIMENSIONS | | |

BOM AND PIN OUT SHEET

| ASSEMBLY DESCRIPTION | ASSEMBLY PART NUMBER | COMPONENT | | | | | | | BLOCKED TERMINALS | | | | | | | | | | | | | | | | | STATUS | COMMENTS | | | | | |
|--|----------------------|---|---------------|-----|-------|-----------------|----------|-----------|--|----|----|----|----|----|----|----|----|----|----|----|----|----|----|----|----|--------|----------|---|---|----|----|---|
| | | THE PRESENCE OF AN ABBREVIATION INDICATES THE PRESENCE OF THAT COMPONENT. | | | | | | | CAVITY WITH A NUMBER INDICATES BLOCKED TERMINAL POSITION CAVITY WITHOUT A NUMBER INDICATES OPEN TERMINAL POSITION | | | | | | | | | | | | | | | | | | | | | | | |
| | | OUTER HOUSING KEY/COLOR | INNER HOUSING | PLR | LEVER | LEVER ARM (x/2) | MAT SEAL | RING SEAL | | | | | | | | | | | | | | | | | | | | | | | | |
| GPEC RCPT CONN 95 CKT END LVR KEY 1/75 | 349920008 | 1-BLACK | IH | PLR | LE | LA | M | R | 1 | - | 3 | - | 5 | - | 7 | - | - | 10 | - | - | - | - | 15 | - | - | 78 | - | - | | | | |
| | | | | | | | | | 16 | - | - | - | - | - | - | - | - | - | - | - | - | - | - | - | - | - | - | - | - | - | - | |
| | | | | | | | | | - | - | - | - | - | - | - | - | - | - | - | - | - | - | - | - | - | 41 | - | - | - | - | - | - |
| | | | | | | | | | 46 | - | 48 | - | - | - | - | - | - | - | - | - | - | - | - | - | - | 56 | - | - | - | - | - | - |
| | | | | | | | | | 61 | - | 63 | 64 | - | - | - | 67 | 68 | 69 | - | - | - | - | - | - | - | - | - | - | - | 74 | 75 | - |
| GPEC RCPT CONN 95 CKT END LVR KEY 1/76 | 349920009 | 1-BLACK | IH | PLR | LE | LA | M | R | 1 | - | 3 | - | 5 | - | 7 | - | - | 10 | - | - | - | - | - | - | - | - | - | - | | | | |
| | | | | | | | | | 16 | - | - | - | - | - | - | - | - | - | - | - | - | - | - | - | - | - | - | - | - | - | | |
| | | | | | | | | | - | - | - | - | - | - | - | - | - | - | - | - | - | - | - | - | - | 41 | - | - | - | - | - | - |
| | | | | | | | | | 46 | - | 48 | - | - | - | - | - | - | - | - | - | - | - | - | - | - | 56 | - | - | - | - | - | - |
| | | | | | | | | | 61 | - | 63 | 64 | - | - | 66 | 67 | 68 | 69 | - | - | - | - | - | - | - | - | - | - | - | 74 | 75 | - |
| GPEC RCPT CONN 95 CKT END LVR KEY 1/80 | 349920010 | 1-BLACK | IH | PLR | LE | LA | M | R | 1 | - | 3 | - | 5 | - | 7 | - | - | 10 | - | - | - | - | - | - | - | - | - | - | | | | |
| | | | | | | | | | 16 | - | - | - | - | - | - | - | - | - | - | - | - | - | - | - | - | - | - | - | - | - | | |
| | | | | | | | | | - | - | - | - | - | - | - | - | - | - | - | - | - | - | - | - | - | 41 | - | - | - | - | - | - |
| | | | | | | | | | 46 | - | 48 | - | - | - | - | - | - | - | - | - | - | - | - | - | - | 56 | - | - | - | - | - | - |
| | | | | | | | | | 61 | - | 63 | 64 | - | - | - | - | - | - | - | - | - | - | - | - | - | - | - | - | - | - | - | - |
| GPEC RCPT CONN 95 CKT END LVR KEY 1/79 | 349920011 | 1-BLACK | IH | PLR | LE | LA | M | R | 1 | - | - | - | - | - | - | - | - | - | - | - | - | 15 | - | - | 78 | - | - | | | | | |
| | | | | | | | | | 16 | - | - | - | - | - | 22 | - | - | - | - | - | - | - | - | - | - | - | - | - | - | - | | |
| | | | | | | | | | - | - | - | - | - | - | - | - | - | - | - | - | - | - | - | - | - | - | - | - | - | - | - | |
| | | | | | | | | | - | - | - | - | - | - | - | - | - | - | - | - | - | 55 | 56 | - | - | - | - | - | - | - | - | - |
| | | | | | | | | | - | 62 | 63 | 64 | - | - | 67 | 68 | 69 | - | - | - | - | - | - | - | - | - | - | - | - | 74 | 75 | - |
| GPEC RCPT CONN 95 CKT END LVR KEY 1/74 | 349920012 | 1-BLACK | IH | PLR | LE | LA | M | R | - | - | 3 | - | - | - | - | - | 9 | 10 | - | 12 | - | - | - | - | - | - | - | | | | | |
| | | | | | | | | | - | - | 18 | - | - | - | - | - | 24 | 25 | - | - | - | - | - | - | - | - | - | - | - | - | | |
| | | | | | | | | | 31 | - | - | - | - | - | - | - | - | - | - | - | - | - | - | - | - | - | - | - | - | - | - | |
| | | | | | | | | | - | 47 | 48 | - | - | - | - | - | - | - | - | - | - | - | 56 | - | - | - | - | - | - | - | - | |
| | | | | | | | | | - | - | - | 64 | 65 | - | - | 68 | 69 | - | 71 | - | - | - | - | - | - | - | - | - | - | 74 | 75 | - |
| GPEC RCPT CONN 95 CKT END LVR KEY 1/83 | 349920013 | 1-BLACK | IH | PLR | LE | LA | M | R | 1 | - | - | - | - | - | - | - | - | - | - | - | - | - | - | - | 78 | - | - | | | | | |
| | | | | | | | | | 16 | - | - | - | - | - | - | - | - | - | - | - | - | - | - | - | - | - | - | - | - | - | | |
| | | | | | | | | | - | - | - | - | - | - | - | - | - | - | - | - | - | - | - | - | - | - | - | - | - | - | - | |
| | | | | | | | | | - | - | - | - | - | - | - | - | - | - | - | - | - | 55 | 56 | - | - | - | - | - | - | - | - | |
| | | | | | | | | | - | 62 | 63 | 64 | - | - | 67 | 68 | 69 | - | - | - | - | - | - | - | - | - | - | - | - | - | - | - |
| GPEC RCPT CONN 95 CKT END LVR KEY 1/79 | 349920014 | 1-BLACK | IH | PLR | LE | LA | M | R | - | - | - | - | - | - | - | - | 9 | - | - | - | - | - | - | - | - | - | - | | | | | |
| | | | | | | | | | - | - | 18 | - | - | - | - | - | 24 | 25 | - | - | - | - | - | - | - | - | - | - | - | - | | |
| | | | | | | | | | - | - | - | - | - | - | - | - | - | - | - | - | - | - | - | - | - | - | - | - | - | - | - | |
| | | | | | | | | | - | 47 | 48 | - | - | - | - | - | - | - | - | - | - | - | 56 | - | - | - | - | - | - | - | - | |
| | | | | | | | | | - | - | - | 64 | 65 | - | - | 68 | 69 | - | 71 | - | - | - | - | - | - | - | - | - | - | 74 | 75 | - |
| GPEC RCPT CONN 95 CKT END LVR KEY 1/82 | 349920015 | 1-BLACK | IH | PLR | LE | LA | M | R | - | - | - | - | - | - | - | - | 9 | - | - | - | - | - | - | - | - | - | - | | | | | |
| | | | | | | | | | - | - | 18 | - | - | - | - | - | 24 | 25 | - | - | - | - | - | - | - | - | - | - | - | - | | |
| | | | | | | | | | - | - | - | - | - | - | - | - | - | - | - | - | - | - | - | - | - | - | - | - | - | - | - | |
| | | | | | | | | | - | - | - | - | - | - | - | - | - | - | - | - | - | - | - | - | - | - | - | - | - | - | - | |
| | | | | | | | | | - | - | - | 64 | 65 | - | - | 68 | 69 | - | 71 | - | - | - | - | - | - | - | - | - | - | 74 | 75 | - |
| GPEC RCPT CONN 95 CKT END LVR KEY 1/77 | 349920016 | 1-BLACK | IH | PLR | LE | LA | M | R | 1 | - | - | - | - | - | - | - | - | - | - | - | - | 15 | - | - | 78 | - | - | | | | | |
| | | | | | | | | | 16 | - | - | - | - | - | 22 | - | - | - | - | - | - | - | - | - | - | - | - | - | - | - | | |
| | | | | | | | | | - | - | - | - | - | - | - | - | - | - | - | - | - | - | - | - | - | - | - | - | - | - | - | |
| | | | | | | | | | - | - | - | - | - | - | - | - | - | - | - | - | - | 55 | 56 | 57 | - | - | - | - | - | - | - | |
| | | | | | | | | | - | 62 | 63 | 64 | - | 66 | 67 | 68 | 69 | - | - | - | - | - | - | - | - | - | - | - | - | 74 | 75 | - |
| GPEC RCPT CONN 95 CKT END LVR KEY 1/67 | 349920017 | 1-BLACK | IH | PLR | LE | LA | M | R | - | - | 3 | - | - | - | - | - | 9 | 10 | - | 12 | - | - | 15 | - | - | 78 | - | - | | | | |
| | | | | | | | | | - | - | 18 | - | - | - | - | - | 24 | 25 | - | - | - | - | - | - | - | - | - | - | - | 30 | | |
| | | | | | | | | | 31 | - | - | - | - | - | - | - | - | - | - | - | - | - | - | - | - | - | - | - | - | - | 45 | |
| | | | | | | | | | - | - | - | - | - | - | - | - | - | - | - | - | - | - | - | - | - | - | - | - | - | - | - | |
| | | | | | | | | | - | 62 | 63 | 64 | 65 | - | - | 68 | 69 | 70 | 71 | 72 | 73 | 74 | 75 | - | - | - | - | - | - | - | - | - |

BOM AND PIN OUT SHEET

| ASSEMBLY DESCRIPTION | ASSEMBLY PART NUMBER | COMPONENT | | | | | | | BLOCKED TERMINALS | | | | | | | | | | | | | | | | | STATUS | COMMENTS | | | |
|--|----------------------|---|---------------|-----|-------|-----------------|----------|-----------|--|----|----|----|----|----|----|----|----|----|----|----|----|----|----|----|----|--------|----------|----|----------|--|
| | | THE PRESENCE OF AN ABBREVIATION INDICATES THE PRESENCE OF THAT COMPONENT. | | | | | | | CAVITY WITH A NUMBER INDICATES BLOCKED TERMINAL POSITION CAVITY WITHOUT A NUMBER INDICATES OPEN TERMINAL POSITION | | | | | | | | | | | | | | | | | | | | | |
| | | OUTER HOUSING KEY/COLOR | INNER HOUSING | PLR | LEVER | LEVER ARM (x/2) | MAT SEAL | RING SEAL | | | | | | | | | | | | | | | | | | | | | | |
| GPEC RCPT CONN 95 CKT TOP LVR KEY 1/47 | 349921003 | 1-BLACK | IH | PLR | LT | LA | M | R | - | - | 3 | 4 | 5 | - | - | - | 9 | - | - | 12 | 13 | - | 15 | - | 77 | 78 | 79 | 80 | SALEABLE | |
| | | | | | | | | | 16 | 17 | 18 | - | 20 | 21 | - | 23 | 24 | 25 | 26 | - | 28 | - | 30 | - | - | - | - | 85 | | |
| | | | | | | | | | - | - | - | - | - | - | - | 38 | - | - | - | - | 43 | 44 | 45 | - | - | - | - | - | | |
| | | | | | | | | | 46 | 47 | - | 49 | - | 51 | - | 53 | 54 | - | 56 | - | - | 59 | - | 86 | - | - | - | - | | |
| | | | | | | | | | 61 | - | - | - | - | 66 | 67 | 68 | 69 | 70 | 71 | - | 73 | 74 | - | 91 | - | - | 94 | 95 | | |
| GPEC RCPT CONN 95 CKT TOP LVR KEY 1/77 | 349921004 | 1-BLACK | IH | PLR | LT | LA | M | R | - | - | - | - | - | - | - | - | 9 | - | - | - | - | - | 15 | - | - | - | - | - | SALEABLE | |
| | | | | | | | | | - | - | 18 | - | - | - | - | - | 24 | 25 | - | - | - | - | 30 | - | - | - | - | - | | |
| | | | | | | | | | - | - | - | - | - | - | - | - | - | - | - | - | - | - | - | - | - | - | - | - | | |
| | | | | | | | | | - | - | - | - | - | - | - | - | - | - | - | - | - | - | - | - | 87 | 88 | - | - | | |
| | | | | | | | | | - | - | - | 64 | 65 | - | - | 68 | 69 | 70 | - | 72 | 73 | 74 | 75 | - | - | - | - | - | | |
| GPEC RCPT CONN 95 CKT TOP LVR KEY 1/68 | 349921005 | 1-BLACK | IH | PLR | LT | LA | M | R | - | - | 3 | - | - | - | - | - | 9 | 10 | - | 12 | - | - | 15 | - | - | 78 | - | - | SALEABLE | |
| | | | | | | | | | - | - | 18 | - | - | - | - | - | 24 | 25 | - | - | - | - | 30 | - | - | 83 | - | - | | |
| | | | | | | | | | 31 | - | - | - | - | - | - | - | - | - | - | - | - | - | 45 | - | - | - | - | - | | |
| | | | | | | | | | - | 47 | 48 | - | - | - | - | - | - | - | 56 | - | - | - | - | - | 87 | 88 | - | - | | |
| | | | | | | | | | - | - | - | 64 | 65 | - | - | 68 | 69 | 70 | - | 72 | 73 | 74 | 75 | - | - | - | - | - | | |
| GPEC RCPT CONN 95 CKT TOP LVR KEY 1/65 | 349921006 | 1-BLACK | IH | PLR | LT | LA | M | R | - | - | 3 | - | - | - | - | - | 9 | 10 | - | 12 | - | - | 15 | - | - | 78 | - | - | SALEABLE | |
| | | | | | | | | | - | - | 18 | - | - | - | - | - | 24 | 25 | - | - | - | - | 30 | - | - | 83 | - | - | | |
| | | | | | | | | | 31 | - | - | - | - | - | - | - | - | - | - | - | - | - | 45 | - | - | - | - | - | | |
| | | | | | | | | | 46 | 47 | 48 | - | - | - | - | - | - | - | 56 | - | - | - | - | - | 87 | 88 | - | - | | |
| | | | | | | | | | 61 | - | - | 64 | 65 | - | - | 68 | 69 | 70 | 71 | 72 | 73 | 74 | 75 | - | - | - | - | - | | |
| GPEC RCPT CONN 95 CKT TOP LVR KEY 1/68 | 349921007 | 1-BLACK | IH | PLR | LT | LA | M | R | - | - | 3 | - | - | - | - | - | 9 | 10 | - | 12 | - | - | 15 | - | - | 78 | - | - | SALEABLE | |
| | | | | | | | | | - | - | 18 | - | - | - | - | - | 24 | - | - | - | - | - | - | - | - | 83 | - | - | | |
| | | | | | | | | | 31 | - | - | - | - | - | - | - | - | - | - | - | - | - | - | - | - | - | - | - | | |
| | | | | | | | | | 46 | 47 | 48 | - | - | - | - | - | - | - | 56 | - | - | - | - | - | 87 | 88 | - | - | | |
| | | | | | | | | | 61 | - | - | 64 | 65 | - | - | 68 | 69 | 70 | 71 | 72 | 73 | 74 | 75 | - | - | - | - | - | | |
| GPEC RCPT CONN 95 CKT TOP LVR KEY 1/94 | 349921008 | 1-BLACK | IH | PLR | LT | LA | M | R | - | - | - | - | - | - | - | - | - | - | - | - | - | - | - | - | - | - | - | - | SALEABLE | |
| | | | | | | | | | - | - | - | - | - | - | - | - | - | - | - | - | - | - | - | - | - | - | - | - | | |
| | | | | | | | | | - | - | - | - | - | - | - | - | - | - | - | - | - | - | - | - | - | - | - | - | | |
| | | | | | | | | | - | - | - | - | - | - | - | - | - | - | - | - | - | - | 75 | - | - | - | - | - | | |
| | | | | | | | | | - | - | - | - | - | - | - | - | - | - | - | - | - | - | - | - | - | - | - | - | | |
| GPEC RCPT CONN 95 CKT END LVR KEY 2/95 | 349922001 | 2-BLACK | IH | PLR | LE | LA | M | R | - | - | - | - | - | - | - | - | - | - | - | - | - | - | - | - | - | - | - | - | SALEABLE | |
| | | | | | | | | | - | - | - | - | - | - | - | - | - | - | - | - | - | - | - | - | - | - | - | - | | |
| | | | | | | | | | - | - | - | - | - | - | - | - | - | - | - | - | - | - | - | - | - | - | - | - | | |
| | | | | | | | | | - | - | - | - | - | - | - | - | - | - | - | - | - | - | - | - | - | - | - | - | | |
| | | | | | | | | | - | - | - | - | - | - | - | - | - | - | - | - | - | - | - | - | - | - | - | - | | |
| GPEC RCPT CONN 95 CKT TOP LVR KEY 2/95 | 349923001 | 2-BLACK | IH | PLR | LT | LA | M | R | - | - | - | - | - | - | - | - | - | - | - | - | - | - | - | - | - | - | - | - | SALEABLE | |
| | | | | | | | | | - | - | - | - | - | - | - | - | - | - | - | - | - | - | - | - | - | - | - | - | | |
| | | | | | | | | | - | - | - | - | - | - | - | - | - | - | - | - | - | - | - | - | - | - | - | - | | |
| | | | | | | | | | - | - | - | - | - | - | - | - | - | - | - | - | - | - | - | - | - | - | - | - | | |
| | | | | | | | | | - | - | - | - | - | - | - | - | - | - | - | - | - | - | - | - | - | - | - | - | | |
| GPEC RCPT CONN 95 CKT TOP LVR KEY 2/46 | 349923002 | 2-BLACK | IH | PLR | LT | LA | M | R | - | - | - | 4 | - | 6 | - | 8 | 9 | - | 11 | - | - | 14 | 15 | - | 77 | - | - | 80 | SALEABLE | |
| | | | | | | | | | - | 17 | - | - | - | 21 | - | - | 24 | - | - | - | 28 | 29 | 30 | 81 | - | 83 | - | 85 | | |
| | | | | | | | | | - | 32 | - | - | - | - | - | - | - | - | 41 | - | 43 | 44 | 45 | - | - | - | - | - | | |
| | | | | | | | | | 46 | - | 48 | - | - | - | - | 53 | - | - | 56 | 57 | 58 | - | - | 86 | 87 | 88 | - | 90 | | |
| | | | | | | | | | 61 | 62 | 63 | 64 | 65 | 66 | 67 | 68 | 69 | 70 | 71 | 72 | 73 | 74 | 75 | - | - | - | - | 95 | | |
| GPEC RCPT CONN 95 CKT END LVR KEY 3/95 | 349924001 | 3-BLACK | IH | PLR | LE | LA | M | R | - | - | - | - | - | - | - | - | - | - | - | - | - | - | - | - | - | - | - | - | SALEABLE | |
| | | | | | | | | | - | - | - | - | - | - | - | - | - | - | - | - | - | - | - | - | - | - | - | - | | |
| | | | | | | | | | - | - | - | - | - | - | - | - | - | - | - | - | - | - | - | - | - | - | - | - | | |
| | | | | | | | | | - | - | - | - | - | - | - | - | - | - | - | - | - | - | - | - | - | - | - | - | | |
| | | | | | | | | | - | - | - | - | - | - | - | - | - | - | - | - | - | - | - | - | - | - | - | - | | |

BOM AND PIN OUT SHEET

| ASSEMBLY DESCRIPTION | ASSEMBLY PART NUMBER | COMPONENT | | | | | | | BLOCKED TERMINALS | | | | | | | | | | | | | | | | | STATUS | COMMENTS | | |
|--|----------------------|---|---------------|-----|-------|-----------------|----------|-----------|--|----|----|----|----|----|----|----|----|----|----|----|----|----|----|----|----|--------|----------|---|---|
| | | THE PRESENCE OF AN ABBREVIATION INDICATES THE PRESENCE OF THAT COMPONENT. | | | | | | | CAVITY WITH A NUMBER INDICATES BLOCKED TERMINAL POSITION CAVITY WITHOUT A NUMBER INDICATES OPEN TERMINAL POSITION | | | | | | | | | | | | | | | | | | | | |
| | | OUTER HOUSING KEY/COLOR | INNER HOUSING | PLR | LEVER | LEVER ARM (x/2) | MAT SEAL | RING SEAL | | | | | | | | | | | | | | | | | | | | | |
| GPEC RCPT CONN 95 CKT TOP LVR KEY 3/47 | 349925007 | 3-BLACK | IH | PLR | LT | LA | M | R | - | - | 3 | 4 | 5 | - | - | 8 | - | - | - | - | - | 14 | 15 | 76 | 77 | 78 | 79 | - | |
| | | | | | | | | | 16 | 17 | 18 | 19 | 20 | 21 | 22 | 23 | - | 25 | 26 | - | 28 | 29 | 30 | 81 | - | - | - | - | |
| | | | | | | | | | - | - | - | - | - | - | - | - | - | 40 | - | - | - | - | - | - | - | - | - | - | - |
| | | | | | | | | | 46 | 47 | 48 | 49 | - | 51 | - | - | 54 | 55 | 56 | 57 | - | 59 | - | 86 | - | - | - | - | |
| | | | | | | | | | 61 | - | - | - | - | 66 | 67 | 68 | - | 70 | - | 72 | 73 | 74 | 75 | 91 | 92 | 93 | - | - | |
| GPEC RCPT CONN 95 CKT TOP LVR KEY 3/57 | 349925008 | 3-BLACK | IH | PLR | LT | LA | M | R | - | - | - | - | - | - | - | - | - | - | - | - | - | - | - | - | - | - | - | - | |
| | | | | | | | | | - | - | - | - | - | 21 | - | 23 | - | 25 | 26 | - | - | - | - | - | - | - | - | - | |
| | | | | | | | | | - | 32 | 33 | - | - | - | - | - | 39 | - | 41 | - | 43 | 44 | - | - | - | - | - | - | |
| | | | | | | | | | - | - | 48 | 49 | 50 | 51 | 52 | - | - | 55 | 56 | - | 58 | - | 60 | - | - | 88 | 89 | - | |
| | | | | | | | | | 61 | 62 | 63 | 64 | 65 | 66 | 67 | 68 | 69 | 70 | 71 | 72 | 73 | 74 | 75 | - | - | 93 | 94 | - | |
| GPEC RCPT CONN 95 CKT TOP LVR KEY 3/53 | 349925009 | 3-BLACK | IH | PLR | LT | LA | M | R | - | - | - | 4 | - | - | - | - | - | - | - | - | - | - | - | - | - | - | - | - | |
| | | | | | | | | | - | - | - | - | - | 21 | - | 23 | - | 25 | 26 | - | - | - | - | - | - | - | - | - | |
| | | | | | | | | | - | 32 | 33 | - | - | - | 37 | - | 39 | - | 41 | - | 43 | 44 | - | - | - | - | - | - | |
| | | | | | | | | | - | - | 48 | 49 | 50 | 51 | 52 | - | - | 55 | 56 | - | 58 | - | 60 | - | 87 | 88 | 89 | - | |
| | | | | | | | | | 61 | 62 | 63 | 64 | 65 | 66 | 67 | 68 | 69 | 70 | 71 | 72 | 73 | 74 | 75 | - | 92 | 93 | 94 | - | |
| GPEC RCPT CONN 95 CKT TOP LVR KEY 3/44 | 349925010 | 3-BLACK | IH | PLR | LT | LA | M | R | - | - | - | 4 | 5 | - | 7 | 8 | - | - | - | 12 | 13 | 14 | 15 | - | 77 | 78 | 79 | - | |
| | | | | | | | | | 16 | 17 | 18 | 19 | 20 | 21 | - | 23 | 24 | 25 | 26 | - | 28 | 29 | 30 | 81 | - | - | - | - | |
| | | | | | | | | | - | - | - | - | - | - | - | - | - | - | - | - | - | - | - | - | - | - | - | - | |
| | | | | | | | | | 46 | 47 | - | 49 | - | 51 | 52 | 53 | 54 | 55 | 56 | 57 | 58 | 59 | 60 | 86 | - | - | - | - | |
| | | | | | | | | | 61 | - | - | - | - | 66 | 67 | 68 | 69 | 70 | 71 | - | 73 | 74 | 75 | 91 | 92 | - | - | - | |
| GPEC RCPT CONN 95 CKT TOP LVR KEY 3/50 | 349925011 | 3-BLACK | IH | PLR | LT | LA | M | R | - | - | - | 4 | 5 | - | - | 8 | - | - | - | - | 14 | 15 | - | 77 | 78 | 79 | - | | |
| | | | | | | | | | 16 | 17 | 18 | 19 | 20 | 21 | 22 | 23 | - | 25 | 26 | - | 28 | 29 | 30 | 81 | - | - | - | - | |
| | | | | | | | | | - | - | - | - | - | - | - | - | - | 40 | - | - | - | - | - | - | - | - | - | - | |
| | | | | | | | | | 46 | - | 48 | - | - | 51 | - | - | 54 | 55 | 56 | 57 | 58 | 59 | - | 86 | - | - | - | - | |
| | | | | | | | | | 61 | - | - | 64 | - | 66 | 67 | 68 | 69 | 70 | 71 | 72 | - | - | 75 | 91 | 92 | - | - | - | |
| GPEC RCPT CONN 95 CKT TOP LVR KEY 3/45 | 349925012 | 3-BLACK | IH | PLR | LT | LA | M | R | - | 2 | - | 4 | - | - | 7 | 8 | - | - | - | 12 | 13 | 14 | 15 | - | 77 | 78 | 79 | - | |
| | | | | | | | | | 16 | 17 | 18 | - | 20 | 21 | 22 | 23 | - | 25 | 26 | - | 28 | 29 | 30 | 81 | - | - | - | - | |
| | | | | | | | | | - | - | - | - | - | - | - | - | - | - | - | 42 | - | - | - | - | - | - | - | - | |
| | | | | | | | | | 46 | - | 48 | 49 | - | 51 | 52 | 53 | 54 | 55 | 56 | 57 | 58 | 59 | 60 | 86 | - | - | - | - | |
| | | | | | | | | | 61 | - | - | - | - | 66 | 67 | 68 | 69 | 70 | 71 | 72 | - | 74 | - | 91 | 92 | - | - | - | |
| GPEC RCPT CONN 95 CKT TOP LVR KEY 3/43 | 349925013 | 3-BLACK | IH | PLR | LT | LA | M | R | - | 2 | - | 4 | - | - | 7 | 8 | - | - | - | 12 | 13 | 14 | 15 | - | 77 | 78 | 79 | - | |
| | | | | | | | | | 16 | 17 | 18 | - | 20 | 21 | 22 | 23 | - | 25 | 26 | - | 28 | 29 | 30 | 81 | - | - | - | - | |
| | | | | | | | | | - | - | - | - | - | - | - | - | - | 40 | - | 42 | - | - | - | - | - | - | - | - | |
| | | | | | | | | | 46 | 47 | 48 | 49 | - | 51 | 52 | 53 | 54 | 55 | 56 | 57 | 58 | 59 | 60 | 86 | - | - | - | - | |
| | | | | | | | | | 61 | - | - | - | - | 66 | 67 | 68 | 69 | 70 | 71 | 72 | - | 74 | - | 91 | 92 | - | - | - | |
| GPEC RCPT CONN 95 CKT TOP LVR KEY 3/42 | 349925014 | 3-BLACK | IH | PLR | LT | LA | M | R | - | - | - | - | - | 6 | - | - | - | - | 11 | 12 | - | - | 15 | - | - | - | - | - | |
| | | | | | | | | | - | - | - | - | - | 21 | 22 | 23 | - | 25 | - | 27 | - | 29 | - | - | - | - | - | - | |
| | | | | | | | | | 31 | 32 | 33 | 34 | 35 | - | 37 | - | 39 | - | 41 | - | 43 | 44 | 45 | - | - | - | - | - | |
| | | | | | | | | | 46 | 47 | 48 | - | 50 | 51 | - | 53 | 54 | 55 | 56 | 57 | 58 | - | - | - | 87 | 88 | 89 | - | |
| | | | | | | | | | 61 | 62 | 63 | 64 | 65 | 66 | 67 | 68 | 69 | 70 | 71 | 72 | 73 | 74 | 75 | - | 92 | 93 | 94 | - | |
| GPEC RCPT CONN 95 CKT TOP LVR KEY 3/42 | 349925015 | 3-BLACK | IH | PLR | LT | LA | M | R | 1 | - | - | 4 | 5 | - | - | - | - | 10 | - | - | - | - | - | - | - | - | - | - | |
| | | | | | | | | | - | 17 | - | 19 | - | 21 | - | 23 | 24 | 25 | - | - | - | - | - | - | - | - | - | - | |
| | | | | | | | | | 31 | 32 | 33 | - | 35 | - | 37 | - | 39 | - | 41 | 42 | 43 | 44 | 45 | - | - | - | - | - | |
| | | | | | | | | | - | - | 48 | 49 | 50 | 51 | 52 | 53 | - | 55 | 56 | - | 58 | 59 | 60 | - | 87 | 88 | 89 | - | |
| | | | | | | | | | 61 | 62 | 63 | 64 | 65 | 66 | 67 | 68 | 69 | 70 | 71 | 72 | 73 | 74 | 75 | - | 92 | 93 | 94 | - | |
| GPEC RCPT CONN 95 CKT TOP LVR KEY 3/51 | 349925016 | 3-BLACK | IH | PLR | LT | LA | M | R | - | - | - | 4 | 5 | - | - | - | - | - | - | - | - | - | - | - | - | - | - | - | |
| | | | | | | | | | - | - | - | - | - | 21 | - | 23 | 24 | 25 | 26 | 27 | - | 29 | - | 81 | 82 | - | - | - | |
| | | | | | | | | | - | 32 | 33 | - | 35 | - | 37 | - | - | - | - | - | 43 | 44 | - | - | - | - | - | - | |
| | | | | | | | | | - | - | - | - | 50 | - | 52 | 53 | 54 | 55 | - | - | 58 | 59 | 60 | - | - | 88 | 89 | - | |
| | | | | | | | | | 61 | 62 | 63 | 64 | 65 | 66 | 67 | 68 | 69 | 70 | 71 | 72 | 73 | 74 | 75 | - | - | 93 | 94 | - | |

BOM AND PIN OUT SHEET

| ASSEMBLY DESCRIPTION | ASSEMBLY PART NUMBER | COMPONENT | | | | | | | BLOCKED TERMINALS | | | | | | | | | | | | | | | | | STATUS | COMMENTS | | |
|--|----------------------|---|---------------|-----|-------|-----------------|----------|-----------|--|----|----|----|----|----|----|----|----|----|----|----|----|----|----|----|----|--------|----------|----|---|
| | | THE PRESENCE OF AN ABBREVIATION INDICATES THE PRESENCE OF THAT COMPONENT. | | | | | | | CAVITY WITH A NUMBER INDICATES BLOCKED TERMINAL POSITION CAVITY WITHOUT A NUMBER INDICATES OPEN TERMINAL POSITION | | | | | | | | | | | | | | | | | | | | |
| | | OUTER HOUSING KEY/COLOR | INNER HOUSING | PLR | LEVER | LEVER ARM (x/2) | MAT SEAL | RING SEAL | | | | | | | | | | | | | | | | | | | | | |
| GPEC RCPT CONN 95 CKT TOP LVR KEY 4/50 | 349927006 | 4-BLACK | IH | PLR | LT | LA | M | R | - | - | 3 | 4 | - | - | - | - | 9 | - | - | 12 | 13 | - | 15 | - | 77 | 78 | 79 | - | |
| | | | | | | | | | 16 | 17 | 18 | 19 | 20 | 21 | - | 23 | 24 | 25 | 26 | - | 28 | - | 30 | - | - | - | - | - | |
| | | | | | | | | | - | - | - | - | - | - | - | - | 38 | - | - | - | - | 43 | 44 | 45 | - | - | - | - | - |
| | | | | | | | | | 46 | 47 | 48 | 49 | - | 51 | - | 53 | 54 | - | 56 | - | - | 59 | - | 86 | - | - | - | - | |
| | | | | | | | | | 61 | - | - | - | - | 66 | 67 | 68 | 69 | 70 | 71 | - | 73 | 74 | - | 91 | - | - | - | - | |
| GPEC RCPT CONN 95 CKT TOP LVR KEY 4/54 | 349927007 | 4-BLACK | IH | PLR | LT | LA | M | R | - | - | 3 | 4 | 5 | - | - | - | 9 | - | - | - | - | - | 15 | - | 77 | 78 | 79 | 80 | |
| | | | | | | | | | 16 | 17 | 18 | 19 | 20 | - | - | 23 | 24 | 25 | 26 | - | 28 | - | - | - | - | - | - | - | |
| | | | | | | | | | - | - | - | - | - | - | - | - | 38 | - | - | - | - | - | 44 | - | - | - | - | - | - |
| | | | | | | | | | 46 | 47 | - | 49 | - | 51 | - | - | 54 | - | 56 | - | - | 59 | - | 86 | - | - | - | - | |
| | | | | | | | | | 61 | - | - | - | - | 66 | 67 | 68 | 69 | 70 | 71 | - | 73 | 74 | 75 | 91 | - | - | - | 95 | |
| GPEC RCPT CONN 95 CKT TOP LVR KEY 4/46 | 349927008 | 4-BLACK | IH | PLR | LT | LA | M | R | - | - | 3 | 4 | - | - | - | - | 9 | - | - | 12 | 13 | - | 15 | - | 77 | 78 | 79 | 80 | |
| | | | | | | | | | 16 | 17 | 18 | 19 | 20 | 21 | - | 23 | 24 | 25 | 26 | - | 28 | - | 30 | - | - | - | - | 85 | |
| | | | | | | | | | - | - | - | - | - | - | - | - | 38 | - | - | - | - | 43 | 44 | 45 | - | - | - | - | - |
| | | | | | | | | | 46 | 47 | 48 | 49 | - | 51 | - | 53 | 54 | - | 56 | - | - | 59 | - | 86 | - | - | - | - | |
| | | | | | | | | | 61 | - | - | - | - | 66 | 67 | 68 | 69 | 70 | 71 | - | 73 | 74 | - | 91 | - | - | 94 | 95 | |
| GPEC RCPT CONN 95 CKT TOP LVR KEY 4/45 | 349927009 | 4-BLACK | IH | PLR | LT | LA | M | R | - | - | 3 | 4 | - | 6 | 7 | 8 | 9 | - | - | 12 | 13 | - | 15 | - | 77 | 78 | 79 | 80 | |
| | | | | | | | | | 16 | 17 | 18 | 19 | 20 | - | - | 23 | 24 | 25 | 26 | - | 28 | - | - | - | - | - | - | 85 | |
| | | | | | | | | | - | - | - | - | - | - | - | - | 38 | - | - | 41 | - | 43 | 44 | 45 | - | - | - | - | - |
| | | | | | | | | | 46 | 47 | 48 | 49 | - | 51 | - | 53 | 54 | - | 56 | - | - | 59 | - | 86 | - | - | - | - | |
| | | | | | | | | | 61 | - | - | - | - | 66 | 67 | 68 | - | 70 | 71 | - | 73 | 74 | - | 91 | - | - | 94 | 95 | |
| GPEC RCPT CONN 95 CKT TOP LVR KEY 4/42 | 349927010 | 4-BLACK | IH | PLR | LT | LA | M | R | - | - | 3 | 4 | - | 6 | 7 | 8 | 9 | - | - | 12 | 13 | - | 15 | - | 77 | 78 | 79 | 80 | |
| | | | | | | | | | 16 | 17 | 18 | 19 | 20 | 21 | - | 23 | 24 | 25 | 26 | - | 28 | - | 30 | - | - | - | - | 85 | |
| | | | | | | | | | - | - | - | - | - | - | - | - | 38 | - | - | 41 | - | 43 | 44 | 45 | - | - | - | - | - |
| | | | | | | | | | 46 | 47 | 48 | 49 | - | 51 | - | 53 | 54 | - | 56 | - | - | 59 | - | 86 | - | - | - | - | |
| | | | | | | | | | 61 | - | - | - | - | 66 | 67 | 68 | 69 | 70 | 71 | - | 73 | 74 | - | 91 | - | - | 94 | 95 | |
| GPEC RCPT CONN 95 CKT TOP LVR KEY 4/47 | 349927011 | 4-BLACK | IH | PLR | LT | LA | M | R | - | - | 3 | 4 | 5 | - | - | - | 9 | - | - | 12 | 13 | - | 15 | - | 77 | 78 | 79 | 80 | |
| | | | | | | | | | 16 | 17 | 18 | - | 20 | 21 | - | 23 | 24 | 25 | 26 | - | 28 | - | 30 | - | - | - | - | 85 | |
| | | | | | | | | | - | - | - | - | - | - | - | - | 38 | - | - | - | - | 43 | 44 | 45 | - | - | - | - | - |
| | | | | | | | | | 46 | 47 | - | 49 | - | 51 | - | 53 | 54 | - | 56 | - | - | 59 | - | 86 | - | - | - | - | |
| | | | | | | | | | 61 | - | - | - | - | 66 | 67 | 68 | 69 | 70 | 71 | - | 73 | 74 | - | 91 | - | - | 94 | 95 | |
| GPEC RCPT CONN 95 CKT TOP LVR KEY 4/52 | 349927012 | 4-BLACK | IH | PLR | LT | LA | M | R | 1 | 2 | 3 | 4 | 5 | 6 | - | - | 9 | - | - | - | - | 14 | 15 | - | 77 | - | 79 | 80 | |
| | | | | | | | | | - | 17 | 18 | 19 | 20 | - | - | 23 | 24 | 25 | - | - | 28 | - | - | - | - | - | - | 85 | |
| | | | | | | | | | - | - | - | - | - | - | - | 37 | - | - | - | - | - | 44 | - | - | - | - | - | - | |
| | | | | | | | | | 46 | - | 48 | 49 | - | 51 | - | - | - | - | 56 | - | - | 59 | - | 86 | - | - | - | - | |
| | | | | | | | | | 61 | - | 63 | 64 | - | 66 | 67 | 68 | 69 | - | 71 | - | - | 74 | 75 | 91 | 92 | - | - | 95 | |
| GPEC RCPT CONN 95 CKT TOP LVR KEY 4/47 | 349927013 | 4-BLACK | IH | PLR | LT | LA | M | R | - | - | 3 | 4 | - | - | - | - | 9 | - | - | 12 | 13 | - | 15 | - | 77 | 78 | 79 | 80 | |
| | | | | | | | | | 16 | 17 | 18 | - | 20 | 21 | - | 23 | 24 | 25 | 26 | - | 28 | - | 30 | - | - | - | - | 85 | |
| | | | | | | | | | - | - | - | - | - | - | - | - | 38 | - | - | - | - | 43 | 44 | 45 | - | - | - | - | - |
| | | | | | | | | | 46 | 47 | 48 | 49 | - | 51 | - | 53 | 54 | - | 56 | - | - | 59 | - | 86 | - | - | - | - | |
| | | | | | | | | | 61 | - | - | - | - | 66 | 67 | 68 | 69 | 70 | 71 | - | 73 | 74 | - | 91 | - | - | 94 | 95 | |
| GPEC RCPT CONN 95 CKT TOP LVR KEY 4/50 | 349927014 | 4-BLACK | IH | PLR | LT | LA | M | R | - | - | 3 | 4 | - | - | - | - | 9 | - | - | 12 | 13 | - | 15 | - | 77 | 78 | 79 | 80 | |
| | | | | | | | | | 16 | 17 | 18 | - | 20 | 21 | - | 23 | 24 | 25 | 26 | - | 28 | - | 30 | - | - | - | - | 85 | |
| | | | | | | | | | - | - | - | - | - | - | - | - | 38 | - | - | - | - | 43 | - | - | - | - | - | - | - |
| | | | | | | | | | 46 | 47 | - | 49 | - | 51 | 52 | 53 | 54 | - | 56 | - | - | 59 | - | 86 | - | - | - | - | |
| | | | | | | | | | - | - | - | - | - | 66 | 67 | 68 | 69 | 70 | 71 | - | 73 | 74 | - | 91 | - | - | 94 | 95 | |
| GPEC RCPT CONN 95 CKT TOP LVR KEY 4/52 | 349927015 | 4-BLACK | IH | PLR | LT | LA | M | R | 1 | - | 3 | 4 | - | 6 | - | - | 9 | - | - | - | - | - | 15 | - | - | 78 | 79 | 80 | |
| | | | | | | | | | 16 | 17 | - | 19 | - | 21 | - | 23 | 24 | 25 | 26 | - | 28 | 29 | 30 | - | - | - | - | 85 | |
| | | | | | | | | | - | - | - | - | - | - | - | - | - | - | - | - | 42 | - | 44 | - | - | - | - | - | - |
| | | | | | | | | | 46 | - | - | 49 | - | 51 | - | 53 | 54 | 55 | 56 | - | - | 59 | - | 86 | - | - | - | - | |
| | | | | | | | | | - | - | - | 64 | - | 66 | 67 | 68 | 69 | 70 | 71 | - | - | 74 | 75 | 91 | - | - | - | 95 | |

BOM AND PIN OUT SHEET

| ASSEMBLY DESCRIPTION | ASSEMBLY PART NUMBER | COMPONENT | | | | | | | BLOCKED TERMINALS | | | | | | | | | | | | | | | | | STATUS | COMMENTS | | | |
|--|----------------------|---|---------------|-----|-------|-----------------|----------|-----------|--|----|----|----|----|----|----|----|----|----|----|----|----|----|----|----|----|--------|----------|----|----------|--|
| | | THE PRESENCE OF AN ABBREVIATION INDICATES THE PRESENCE OF THAT COMPONENT. | | | | | | | CAVITY WITH A NUMBER INDICATES BLOCKED TERMINAL POSITION CAVITY WITHOUT A NUMBER INDICATES OPEN TERMINAL POSITION | | | | | | | | | | | | | | | | | | | | | |
| | | OUTER HOUSING KEY/COLOR | INNER HOUSING | PLR | LEVER | LEVER ARM (x/2) | MAT SEAL | RING SEAL | | | | | | | | | | | | | | | | | | | | | | |
| GPEC RCPT CONN 95 CKT TOP LVR KEY 4/50 | 349927016 | 4-BLACK | IH | PLR | LT | LA | M | R | - | - | 3 | 4 | - | - | - | - | 9 | - | - | 12 | 13 | - | 15 | - | 77 | 78 | 79 | 80 | SALEABLE | |
| | | | | | | | | | 16 | 17 | 18 | - | 20 | 21 | 22 | 23 | - | 25 | 26 | - | 28 | - | 30 | - | - | - | - | 85 | | |
| | | | | | | | | | - | - | - | - | - | - | - | - | - | 40 | - | 42 | - | 44 | - | - | - | - | - | - | | |
| | | | | | | | | | 46 | 47 | 48 | - | - | 51 | 52 | 53 | 54 | - | 56 | - | - | 59 | - | 86 | - | - | - | - | | |
| | | | | | | | | | 61 | - | - | - | - | 66 | 67 | 68 | - | 70 | 71 | 72 | 73 | 74 | - | - | - | - | - | 95 | | |
| GPEC RCPT CONN 95 CKT END LVR KEY 5/95 | 349928001 | 5-BLACK | IH | PLR | LE | LA | M | R | - | - | - | - | - | - | - | - | - | - | - | - | - | - | - | - | - | - | - | - | SALEABLE | |
| | | | | | | | | | - | - | - | - | - | - | - | - | - | - | - | - | - | - | - | - | - | - | - | - | | |
| | | | | | | | | | - | - | - | - | - | - | - | - | - | - | - | - | - | - | - | - | - | - | - | - | | |
| | | | | | | | | | - | - | - | - | - | - | - | - | - | - | - | - | - | - | - | - | - | - | - | - | | |
| | | | | | | | | | - | - | - | - | - | - | - | - | - | - | - | - | - | - | - | - | - | - | - | - | | |
| GPEC RCPT CONN 95 CKT END LVR KEY 5/95 | 349928002 | 5-BLACK | IH | PLR | LE | LA | M | R | - | - | - | - | - | - | - | - | - | - | - | - | - | - | - | - | - | - | - | - | SALEABLE | |
| | | | | | | | | | - | - | - | - | - | - | - | - | - | - | - | - | - | - | - | - | - | - | - | - | | |
| | | | | | | | | | - | - | - | - | - | - | - | - | - | - | - | - | - | - | - | - | - | - | - | - | | |
| | | | | | | | | | - | - | - | - | - | - | - | - | - | - | - | - | - | - | - | - | - | - | - | - | | |
| | | | | | | | | | - | - | - | - | - | - | - | - | - | - | - | - | - | - | - | - | - | - | - | - | | |
| GPEC RCPT CONN 95 CKT END LVR KEY 5/49 | 349928003 | 5-BLACK | IH | PLR | LE | LA | M | R | - | 2 | 3 | 4 | - | - | - | - | - | - | - | - | - | 14 | 15 | - | - | - | - | - | SALEABLE | |
| | | | | | | | | | - | 17 | 18 | - | 20 | 21 | - | - | 24 | - | 26 | 27 | - | - | 30 | 81 | - | - | - | 85 | | |
| | | | | | | | | | - | - | 33 | 34 | 35 | - | - | 38 | 39 | - | 41 | - | - | 44 | - | - | - | - | - | - | | |
| | | | | | | | | | 46 | 47 | 48 | 49 | 50 | 51 | 52 | 53 | - | - | - | 57 | 58 | - | - | 86 | 87 | 88 | - | - | | |
| | | | | | | | | | - | 62 | 63 | 64 | 65 | 66 | 67 | 68 | - | 70 | 71 | 72 | - | - | - | 91 | - | - | - | - | | |
| GPEC RCPT CONN 95 CKT END LVR KEY 5/56 | 349928004 | 5-BLACK | IH | PLR | LE | LA | M | R | - | - | - | 4 | 5 | - | - | - | - | - | - | - | - | - | - | - | - | - | - | - | SALEABLE | |
| | | | | | | | | | - | - | - | - | - | 21 | - | 23 | - | - | 26 | 27 | - | - | - | - | - | - | - | - | | |
| | | | | | | | | | 31 | 32 | - | - | - | - | 37 | - | 39 | - | - | 42 | 43 | - | - | - | - | - | - | - | | |
| | | | | | | | | | - | - | 48 | 49 | 50 | 51 | 52 | 53 | 54 | 55 | 56 | - | 58 | 59 | 60 | - | 87 | - | - | - | | |
| | | | | | | | | | 61 | 62 | 63 | 64 | 65 | - | 67 | 68 | - | - | - | 72 | 73 | 74 | 75 | - | 92 | 93 | 94 | - | | |
| GPEC RCPT CONN 95 CKT END LVR KEY 5/44 | 349928005 | 5-BLACK | IH | PLR | LE | LA | M | R | - | - | - | - | 5 | - | - | - | - | - | - | 12 | - | - | - | 76 | 77 | 78 | 79 | 80 | SALEABLE | |
| | | | | | | | | | - | - | - | - | - | 21 | - | - | 24 | 25 | - | 27 | - | 29 | - | - | - | 83 | 84 | 85 | | |
| | | | | | | | | | 31 | 32 | 33 | 34 | 35 | - | - | - | 39 | - | - | - | 43 | 44 | - | - | - | - | - | 90 | | |
| | | | | | | | | | - | - | 48 | 49 | 50 | 51 | 52 | - | - | 55 | 56 | - | 58 | 59 | 60 | - | - | - | - | 95 | | |
| | | | | | | | | | 61 | 62 | 63 | 64 | 65 | 66 | 67 | 68 | 69 | 70 | 71 | 72 | 73 | 74 | 75 | - | - | - | 94 | 95 | | |
| GPEC RCPT CONN 95 CKT TOP LVR KEY 5/95 | 349929001 | 5-BLACK | IH | PLR | LT | LA | M | R | - | - | - | - | - | - | - | - | - | - | - | - | - | - | - | - | - | - | - | - | SALEABLE | |
| | | | | | | | | | - | - | - | - | - | - | - | - | - | - | - | - | - | - | - | - | - | - | - | - | | |
| | | | | | | | | | - | - | - | - | - | - | - | - | - | - | - | - | - | - | - | - | - | - | - | - | | |
| | | | | | | | | | - | - | - | - | - | - | - | - | - | - | - | - | - | - | - | - | - | - | - | - | | |
| | | | | | | | | | - | - | - | - | - | - | - | - | - | - | - | - | - | - | - | - | - | - | - | - | | |
| GPEC RCPT CONN 95 CKT TOP LVR KEY 5/51 | 349929002 | 5-BLACK | IH | PLR | LT | LA | M | R | - | - | 3 | 4 | - | - | - | - | 9 | - | - | 12 | 13 | - | 15 | - | 77 | 78 | - | 80 | SALEABLE | |
| | | | | | | | | | 16 | 17 | - | 19 | - | 21 | - | 23 | 24 | - | - | - | 28 | 29 | 30 | - | - | - | - | 85 | | |
| | | | | | | | | | - | - | - | - | - | - | - | - | - | - | - | - | - | 44 | - | - | - | - | - | - | | |
| | | | | | | | | | 46 | 47 | 48 | - | - | 51 | 52 | 53 | 54 | - | 56 | - | - | 59 | 60 | 86 | - | - | - | - | | |
| | | | | | | | | | 61 | - | - | 64 | - | 66 | 67 | 68 | 69 | 70 | 71 | - | 73 | 74 | 75 | 91 | - | - | - | 95 | | |
| GPEC RCPT CONN 95 CKT TOP LVR KEY 5/95 | 349929003 | 5-BLACK | IH | PLR | LT | LA | M | R | - | - | - | - | - | - | - | - | - | - | - | - | - | - | - | - | - | - | - | - | SALEABLE | |
| | | | | | | | | | - | - | - | - | - | - | - | - | - | - | - | - | - | - | - | - | - | - | - | - | | |
| | | | | | | | | | - | - | - | - | - | - | - | - | - | - | - | - | - | - | - | - | - | - | - | - | | |
| | | | | | | | | | - | - | - | - | - | - | - | - | - | - | - | - | - | - | - | - | - | - | - | - | | |
| | | | | | | | | | - | - | - | - | - | - | - | - | - | - | - | - | - | - | - | - | - | - | - | - | | |
| GPEC RCPT CONN 95 CKT TOP LVR KEY 5/45 | 349929004 | 5-BLACK | IH | PLR | LT | LA | M | R | - | - | 3 | 4 | - | 6 | 7 | 8 | 9 | - | - | 12 | 13 | - | 15 | - | 77 | 78 | - | 80 | SALEABLE | |
| | | | | | | | | | 16 | 17 | - | 19 | - | 21 | - | 23 | 24 | - | - | - | 28 | 29 | 30 | - | - | - | - | 85 | | |
| | | | | | | | | | - | - | - | - | - | - | - | - | - | - | - | - | - | 44 | - | - | - | - | - | - | | |
| | | | | | | | | | 46 | 47 | 48 | - | - | 51 | 52 | 53 | 54 | 55 | 56 | - | - | 59 | 60 | 86 | - | - | - | - | | |
| | | | | | | | | | 61 | - | - | 64 | - | 66 | 67 | 68 | 69 | 70 | 71 | - | 73 | 74 | 75 | 91 | - | - | - | 95 | | |

BOM AND PIN OUT SHEET

| ASSEMBLY DESCRIPTION | ASSEMBLY PART NUMBER | COMPONENT | | | | | | | BLOCKED TERMINALS | | | | | | | | | | | | | | | | | STATUS | COMMENTS | | |
|--|----------------------|---|---------------|-----|-------|-----------------|----------|-----------|--|----|----|----|----|----|----|----|----|----|----|----|----|----|----|----|----|--------|----------|----|---|
| | | THE PRESENCE OF AN ABBREVIATION INDICATES THE PRESENCE OF THAT COMPONENT. | | | | | | | CAVITY WITH A NUMBER INDICATES BLOCKED TERMINAL POSITION CAVITY WITHOUT A NUMBER INDICATES OPEN TERMINAL POSITION | | | | | | | | | | | | | | | | | | | | |
| | | OUTER HOUSING KEY/COLOR | INNER HOUSING | PLR | LEVER | LEVER ARM (x/2) | MAT SEAL | RING SEAL | | | | | | | | | | | | | | | | | | | | | |
| GPEC RCPT CONN 95 CKT TOP LVR KEY 5/48 | 349929005 | 5-BLACK | IH | PLR | LT | LA | M | R | - | - | 3 | 4 | - | 6 | 7 | 8 | 9 | - | - | - | - | - | 15 | - | 77 | 78 | - | 80 | |
| | | | | | | | | | 16 | 17 | - | 19 | - | 21 | - | 23 | 24 | - | - | - | 28 | 29 | 30 | - | - | - | - | 85 | |
| | | | | | | | | | - | - | - | - | - | - | - | - | - | - | 41 | 42 | - | 44 | - | - | - | - | - | - | |
| | | | | | | | | | 46 | 47 | 48 | - | - | 51 | - | 53 | 54 | 55 | 56 | - | - | 59 | 60 | 86 | - | - | - | - | |
| | | | | | | | | | 61 | - | - | 64 | - | 66 | 67 | 68 | 69 | 70 | 71 | - | 73 | 74 | 75 | 91 | - | - | - | 95 | |
| GPEC RCPT CONN 95 CKT TOP LVR KEY 5/50 | 349929006 | 5-BLACK | IH | PLR | LT | LA | M | R | - | - | - | 4 | 5 | - | - | - | - | - | - | - | - | - | - | - | - | - | - | - | |
| | | | | | | | | | - | - | - | 19 | - | 21 | - | 23 | 24 | 25 | 26 | 27 | - | - | - | 81 | 82 | - | - | - | |
| | | | | | | | | | 31 | - | - | - | - | - | 37 | 38 | 39 | - | 41 | - | 43 | 44 | - | - | - | - | - | - | |
| | | | | | | | | | - | - | 48 | 49 | - | - | 52 | - | 54 | 55 | 56 | - | 58 | 59 | 60 | - | 87 | 88 | 89 | - | |
| | | | | | | | | | 61 | 62 | 63 | 64 | 65 | 66 | 67 | 68 | - | 70 | 71 | 72 | 73 | 74 | 75 | - | 92 | - | - | - | |
| GPEC RCPT CONN 95 CKT TOP LVR KEY 5/57 | 349929007 | 5-BLACK | IH | PLR | LT | LA | M | R | - | - | - | 4 | 5 | - | - | - | - | - | - | - | - | - | - | - | - | - | - | | |
| | | | | | | | | | - | - | - | - | - | 21 | - | 23 | - | 25 | 26 | 27 | - | - | - | - | - | - | - | - | |
| | | | | | | | | | 31 | 32 | - | - | - | - | 37 | - | 39 | - | - | 42 | 43 | - | - | - | - | - | - | - | |
| | | | | | | | | | - | - | - | 49 | 50 | 51 | 52 | 53 | 54 | - | 56 | - | 58 | 59 | 60 | - | 87 | 88 | - | - | |
| | | | | | | | | | 61 | 62 | 63 | 64 | 65 | 66 | 67 | 68 | - | - | - | 72 | 73 | 74 | 75 | - | 92 | - | - | - | |
| GPEC RCPT CONN 95 CKT TOP LVR KEY 5/66 | 349929008 | 5-BLACK | IH | PLR | LT | LA | M | R | - | - | - | - | - | - | - | - | - | - | - | 12 | - | - | - | - | - | - | - | 80 | |
| | | | | | | | | | - | - | - | 19 | - | - | - | - | - | - | - | 27 | - | - | - | - | - | - | - | 85 | |
| | | | | | | | | | - | 32 | - | - | - | - | - | - | - | - | - | - | 43 | - | - | - | - | - | - | - | |
| | | | | | | | | | - | - | 48 | 49 | - | 51 | 52 | - | - | 55 | 56 | - | 58 | 59 | 60 | - | - | - | 89 | - | |
| | | | | | | | | | 61 | 62 | 63 | 64 | - | - | 67 | 68 | 69 | - | - | 72 | 73 | 74 | 75 | - | - | - | 94 | - | |
| GPEC RCPT CONN 95 CKT TOP LVR KEY 5/49 | 349929009 | 5-BLACK | IH | PLR | LT | LA | M | R | - | - | - | 4 | 5 | - | - | - | - | - | - | - | - | - | - | - | - | - | - | | |
| | | | | | | | | | - | - | 18 | 19 | - | 21 | - | 23 | 24 | 25 | 26 | 27 | - | - | - | 81 | 82 | - | - | - | |
| | | | | | | | | | 31 | - | - | - | - | - | 37 | 38 | 39 | - | 41 | - | 43 | 44 | - | - | - | - | - | - | |
| | | | | | | | | | - | - | 48 | 49 | - | - | 52 | - | 54 | 55 | 56 | - | 58 | 59 | 60 | - | 87 | 88 | 89 | - | |
| | | | | | | | | | 61 | 62 | 63 | 64 | 65 | 66 | 67 | 68 | - | 70 | 71 | 72 | 73 | 74 | 75 | - | 92 | - | - | - | |
| GPEC RCPT CONN 95 CKT TOP LVR KEY 5/94 | 349929010 | 5-BLACK | IH | PLR | LT | LA | M | R | - | - | - | - | - | - | - | - | - | - | - | - | - | - | - | - | - | - | - | | |
| | | | | | | | | | - | - | - | - | - | - | - | - | - | - | - | - | - | - | - | - | - | - | - | - | |
| | | | | | | | | | - | - | - | - | - | - | - | - | - | - | - | - | - | - | - | - | - | - | - | - | |
| | | | | | | | | | - | - | - | - | - | - | - | - | - | - | - | - | - | - | - | - | - | - | - | - | |
| | | | | | | | | | - | - | - | - | - | - | - | - | - | - | - | - | - | - | 75 | - | - | - | - | - | |
| GPEC RCPT CONN 95 CKT TOP LVR KEY 5/51 | 349929011 | 5-BLACK | IH | PLR | LT | LA | M | R | - | - | - | 4 | 5 | - | - | - | - | - | - | - | - | - | - | - | - | - | - | | |
| | | | | | | | | | - | - | 18 | 19 | - | 21 | - | 23 | 24 | 25 | 26 | 27 | - | - | - | 81 | 82 | - | - | - | |
| | | | | | | | | | 31 | - | - | - | - | - | 37 | 38 | 39 | - | 41 | - | 43 | 44 | - | - | - | - | - | - | |
| | | | | | | | | | - | - | 48 | 49 | - | - | 52 | - | 54 | 55 | 56 | - | 58 | 59 | 60 | - | 87 | 88 | 89 | - | |
| | | | | | | | | | 61 | 62 | 63 | 64 | 65 | 66 | 67 | 68 | - | - | - | 72 | 73 | 74 | 75 | - | 92 | - | - | - | |
| GPEC RCPT CONN 95 CKT TOP LVR KEY 5/54 | 349929012 | 5-BLACK | IH | PLR | LT | LA | M | R | - | - | - | 4 | 5 | - | - | - | - | - | - | - | - | - | - | - | - | - | - | | |
| | | | | | | | | | - | - | - | - | - | 21 | - | 23 | 24 | - | 26 | 27 | 28 | - | - | 81 | 82 | - | - | - | |
| | | | | | | | | | 31 | - | - | - | - | - | 37 | 38 | 39 | - | - | 42 | 43 | 44 | - | - | - | - | - | - | |
| | | | | | | | | | - | - | 48 | 49 | - | - | 52 | - | 54 | 55 | 56 | - | 58 | 59 | 60 | - | 87 | 88 | - | - | |
| | | | | | | | | | 61 | 62 | 63 | 64 | 65 | - | 67 | 68 | - | - | - | 72 | 73 | 74 | 75 | - | 92 | - | 94 | - | |
| GPEC RCPT CONN 95 CKT TOP LVR KEY 5/39 | 349929013 | 5-BLACK | IH | PLR | LT | LA | M | R | - | - | 3 | 4 | - | 6 | 7 | 8 | 9 | - | - | 12 | 13 | - | 15 | - | 77 | 78 | 79 | 80 | |
| | | | | | | | | | 16 | 17 | 18 | 19 | 20 | 21 | 22 | 23 | - | 25 | 26 | - | 28 | 29 | 30 | - | - | - | - | 85 | |
| | | | | | | | | | - | - | - | - | - | - | - | - | 38 | - | 40 | 41 | 42 | - | 44 | - | - | - | - | - | - |
| | | | | | | | | | 46 | 47 | 48 | - | - | 51 | 52 | 53 | 54 | 55 | 56 | - | - | 59 | - | 86 | - | - | - | - | |
| | | | | | | | | | 61 | - | - | 64 | - | 66 | 67 | 68 | 69 | 70 | 71 | 72 | 73 | 74 | 75 | - | - | - | - | 95 | |
| GPEC RCPT CONN 95 CKT TOP LVR KEY 5/40 | 349929014 | 5-BLACK | IH | PLR | LT | LA | M | R | - | - | 3 | 4 | - | 6 | 7 | 8 | 9 | - | - | 12 | 13 | - | 15 | - | 77 | 78 | 79 | 80 | |
| | | | | | | | | | 16 | 17 | 18 | 19 | 20 | 21 | 22 | 23 | - | 25 | 26 | - | 28 | 29 | 30 | - | - | - | - | 85 | |
| | | | | | | | | | - | - | - | - | - | - | - | - | 38 | - | 40 | 41 | - | - | 44 | - | - | - | - | - | - |
| | | | | | | | | | 46 | 47 | 48 | - | - | 51 | 52 | 53 | 54 | 55 | 56 | - | - | 59 | - | 86 | - | - | - | - | |
| | | | | | | | | | 61 | - | - | 64 | - | 66 | 67 | 68 | 69 | 70 | 71 | 72 | 73 | 74 | 75 | - | - | - | - | 95 | |

BOM AND PIN OUT SHEET

| ASSEMBLY DESCRIPTION | ASSEMBLY PART NUMBER | COMPONENT | | | | | | | BLOCKED TERMINALS | | | | | | | | | | | | | | | | | STATUS | COMMENTS | | | |
|--|----------------------|---|---------------|-----|-------|-----------------|----------|-----------|--|----|----|----|----|----|----|----|----|----|----|----|----|----|----|----|----|--------|----------|----|----------|--|
| | | THE PRESENCE OF AN ABBREVIATION INDICATES THE PRESENCE OF THAT COMPONENT. | | | | | | | CAVITY WITH A NUMBER INDICATES BLOCKED TERMINAL POSITION CAVITY WITHOUT A NUMBER INDICATES OPEN TERMINAL POSITION | | | | | | | | | | | | | | | | | | | | | |
| | | OUTER HOUSING KEY/COLOR | INNER HOUSING | PLR | LEVER | LEVER ARM (x/2) | MAT SEAL | RING SEAL | | | | | | | | | | | | | | | | | | | | | | |
| GPEC RCPT CONN 95 CKT TOP LVR KEY 5/38 | 349929015 | 5-BLACK | IH | PLR | LT | LA | M | R | - | - | 3 | 4 | - | 6 | 7 | 8 | 9 | - | - | 12 | 13 | - | 15 | - | 77 | 78 | 79 | 80 | SALEABLE | |
| | | | | | | | | | 16 | 17 | 18 | 19 | 20 | 21 | 22 | 23 | - | 25 | 26 | - | 28 | 29 | 30 | - | - | - | - | 85 | | |
| | | | | | | | | | - | - | - | - | - | - | - | 38 | - | 40 | 41 | 42 | - | 44 | - | | | | | | | |
| | | | | | | | | | 46 | 47 | 48 | - | - | 51 | 52 | 53 | 54 | 55 | 56 | - | - | 59 | - | 86 | - | - | - | - | | |
| | | | | | | | | | 61 | - | - | 64 | - | 66 | 67 | 68 | 69 | 70 | 71 | 72 | 73 | 74 | 75 | 91 | - | - | - | 95 | | |
| GPEC RCPT CONN 95 CKT TOP LVR KEY 5/60 | 349929016 | 5-BLACK | IH | PLR | LT | LA | M | R | - | - | - | 4 | - | - | - | - | - | 10 | - | - | - | - | - | - | - | - | - | - | SALEABLE | |
| | | | | | | | | | - | - | - | - | - | - | - | 23 | - | - | - | 27 | - | - | - | - | - | - | - | - | | |
| | | | | | | | | | - | 32 | - | - | - | - | 37 | - | - | - | - | - | 43 | 44 | 45 | | | | | | | |
| | | | | | | | | | - | - | 48 | 49 | - | 51 | 52 | - | - | 55 | 56 | - | 58 | 59 | 60 | - | 87 | 88 | 89 | - | | |
| | | | | | | | | | 61 | 62 | 63 | 64 | 65 | - | 67 | 68 | - | - | - | 72 | 73 | 74 | 75 | - | 92 | 93 | 94 | - | | |
| GPEC RCPT CONN 95 CKT TOP LVR KEY 5/58 | 349929017 | 5-BLACK | IH | PLR | LT | LA | M | R | - | - | - | 4 | - | - | - | - | - | 10 | - | - | - | - | - | - | - | - | - | - | SALEABLE | |
| | | | | | | | | | - | - | - | - | - | - | - | 23 | - | - | - | 27 | - | - | - | - | - | - | - | - | | |
| | | | | | | | | | - | 32 | - | - | - | - | 37 | - | - | - | - | - | 43 | 44 | 45 | | | | | | | |
| | | | | | | | | | - | - | 48 | 49 | - | 51 | 52 | - | - | 55 | 56 | - | 58 | 59 | 60 | - | 87 | 88 | 89 | - | | |
| | | | | | | | | | 61 | 62 | 63 | 64 | 65 | - | 67 | 68 | - | 70 | 71 | 72 | 73 | 74 | 75 | - | 92 | 93 | 94 | - | | |