

## IP67 Connectors: GM67X-CBL Series

### Box Side, IP67 Panel Mount Jack with Cable and PLUG

(Must Be Used with GM67X Series Cable Side Part)

#### Product Features

IP67  
Panel Mount  
Cable and Plug Termination  
Cat. 5 Cable UTP  
Optional Cap Available

#### Performance Specifications

##### Materials and Finish

##### Housing Material

Polycarbonate, UL 94V-0 Rated, Black Color

##### Contact Material

Phosphor Bronze

##### Nut Material

Polycarbonate, UL 94V-0 Rated, Black Color

##### Gasket Material

Silicone, UL 94HB Rated, Red Color

#### Electrical Characteristics

##### Insulation Resistance

500 Megohms Min.

##### Dielectric Withstanding Voltage

1000V AC RMS for 1 Minute

##### Contact Resistance

50 milliohms Max.

##### Current Rating

1.5A

##### Voltage Rating

125V DC

##### Durability

1000 Mating Cycles Min.

##### Operating Temperature

-40°C to +80°C

#### Note

\*Must be used with GM67X series cable side part

\*Kycon can provide custom cable assemblies (mins will apply)

|                       |                     |                      |                  |
|-----------------------|---------------------|----------------------|------------------|
| 2D Drawing            | IGES                | STEP                 | 3D PDF           |
| Solder Profile        | CofC RoHS Compliant | CofC REACH Compliant | UL Plastic File  |
| Certificate of Origin | Check Stock         | Request a Sample     | Send Us An Email |

#### Generated Part Number

#### Part Number Builder

|                      |                      |                      |                      |
|----------------------|----------------------|----------------------|----------------------|
| <input type="text"/> | <input type="text"/> | <input type="text"/> | <input type="text"/> |
| Series               | Cable Length         | Plug Option          | Plating Option       |

#### Series

GM67X-CBL - Panel Mount IP67 Modular Jack with Cable and plug

#### Cable Length

152 - 152mm

304 - 304mm

#### Plug Option

P - Plug

#### Plating Option

Blank - Gold Flash

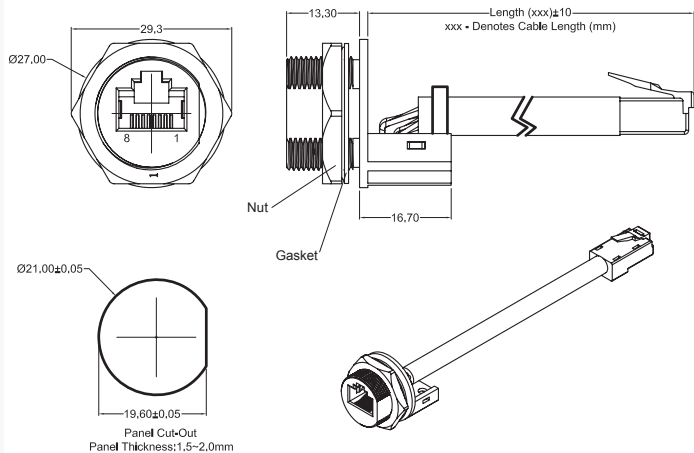
50 - 50µ" Gold Plating

Contact Kycon For Other Option

## GM67X-CBL Series

Dimensions in mm

### GM67X-CBL-xxx-P



\*Kit includes cable, nut, and gasket

Recommended Nut Torque: 12 Kgf-cm

[Click here for our assembly videos](#)