

**PLEASE CHECK WWW.MOLEX.COM FOR LATEST PART INFORMATION**

**Part Number:** [0746952502](#)

**Status:** **Active**

**Overview:** VHDM-HSD™ Backplane Connectors

**Description:** VHDM-HSD™ Backplane Header, 2.00mm Pitch, 5-Row, Open Module, 100 Circuits, Pin Length 6.25mm. Series:74702 Enables designers to create custom loaded connectors utilizing standard pin lengths 4.25, 4.75, 5.15 and 6.25mm

**Documents:**

[Drawing \(PDF\)](#)

[Product Specification PS-74031-999 \(PDF\)](#)

[Packaging Specification PK-74695-003 \(PDF\)](#)

[RoHS Certificate of Compliance \(PDF\)](#)

**Agency Certification**

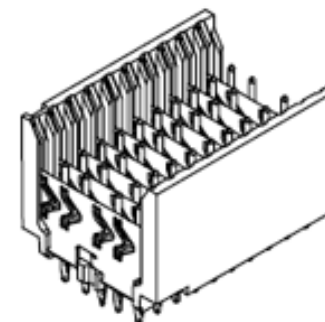
CSA	LR19980
UL	E29179

**General**

Product Family	Backplane Connectors
Series	<a href="#">74695</a>
Application	Backplane
Application Tooling Documents	TM-622010999
Comments	Open Header
Component Type	PCB Header
Overview	<a href="#">VHDM-HSD™ Backplane Connectors</a>
Product Name	VHDM-HSD™
UPC	800756620855

**Physical**

Circuits (Loaded)	100
Circuits (maximum)	100
Color - Resin	Black
Durability (mating cycles max)	200
First Mate / Last Break	No
Flammability	94V-0
Guide to Mating Part	No
Keying to Mating Part	None
Material - Metal	High Performance Alloy (HPA)
Material - Plating Mating	Gold
Material - Plating Termination	Matte Tin
Material - Resin	High Temperature Thermoplastic
Net Weight	9.467/g
Number of Columns	25
Number of Pairs	Open Pin Field
Number of Rows	5
Orientation	Vertical
PC Tail Length	2.50mm
PCB Locator	No
PCB Retention	None
PCB Thickness - Recommended	1.80mm
Packaging Type	Tube
Pitch - Mating Interface	2.00mm
Pitch - Termination Interface	2.00mm
Plating min - Mating	0.762µm
Plating min - Termination	0.762µm
Polarized to PCB	Yes
Surface Mount Compatible (SMC)	Yes
Temperature Range - Operating	-55°C to +105°C
Termination Interface: Style	Through Hole - Compliant Pin



Series image - Reference only

**EU ELV**

**Not Relevant**

**EU RoHS**

**Compliant**

**REACH SVHC**

Not Contained Per - ED/21/2016 (20 June 2016)

**Halogen-Free**

**Status**

**Low-Halogen**

**Need more information on product environmental compliance?**

Email [productcompliance@molex.com](mailto:productcompliance@molex.com)  
Please visit the [Contact Us](#) section for any non-product compliance questions.

China ROHS

ELV

Green Image

Not Relevant

**Search Parts in this Series**

[74695 Series](#)

**Mates With**

[74670 VHDM-HSD™ Daughtercard](#)

**Application Tooling | FAQ**

*Tooling specifications and manuals are found by selecting the products below. Crimp Height Specifications are then contained in the Application Tooling Specification document.*

**Global**

Description	Product #
Signal Header, 5-Row by 25-Wide, 50.00mm	<a href="#">0622020202</a>
Signal Pin Inserter Repair Tool	<a href="#">0622015700</a>
5-Row Pin and Shield Repair Tool	<a href="#">0622015810</a>

**Electrical**

Current - Maximum per Contact	1.0A
Data Rate	5.0 Gbps
Shield Type	Ground Plane Shield
Shielded	Yes
Voltage - Maximum	120V AC (RMS)/DC

**Solder Process Data**

Lead-free Process Capability	N/A
------------------------------	-----

**Material Info****Reference - Drawing Numbers**

Packaging Specification	PK-74695-003
Product Specification	PS-74031-999
Sales Drawing	SD-74695-002

Note: HDM, HDM+, VHDM, VHDM-HSD and GbX are trademarks or registered trademarks of Amphenol TCS.

This document was generated on 09/30/2016

**PLEASE CHECK [WWW.MOLEX.COM](http://WWW.MOLEX.COM) FOR LATEST PART INFORMATION**