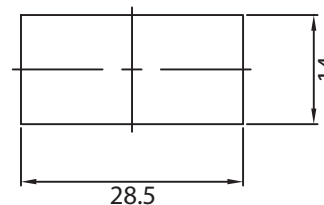
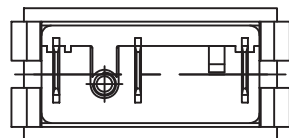
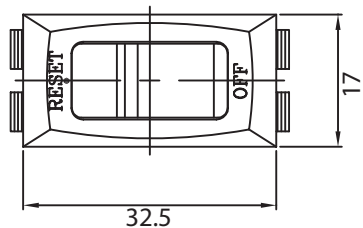
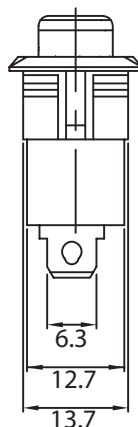
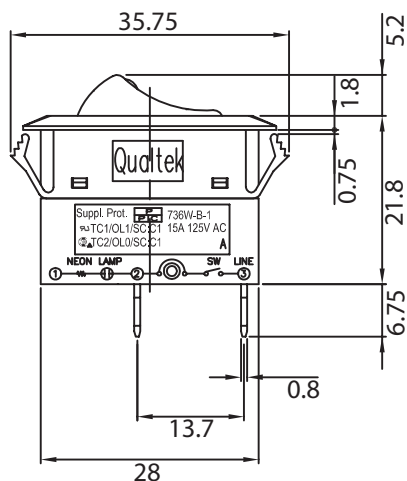


THESE DRAWINGS ARE THE PROPERTY OF QUALTEK ELECTRONICS AND NOT TO BE REPRODUCED FOR OR COMMUNICATED TO A THIRD PARTY WITHOUT THE EXPRESS WRITTEN PERMISSION OF AN OFFICER OF QUALTEK ELECTRONICS.

REVISION			
REV.	DESCRIPTION	DATE	APPROVED
B	RoHS Compliancy	06-01-06	DP
C	Updated Specificatons and Ratings	07-19-10	LY



PANEL CUTOUT



CIRCUIT BREAKER TRIP TIME VS AMPERES			
Model Number	Current Rating	Overload Percentage	Trip Tlme (in seconds) VS Amperes at +25 °C
736W-B-102	15A	100%	No Trip
		150%	Trip in 1 hour
		200%	5~35
		300%	1~10
		400%	0.45~5.5
		500%	0.25~3.5
		600%	0.1~2.0

TRIP TIME FACTOR			
-10°C	X1.70	30°C	X0.90
-5°C	X1.60	35°C	X0.85
0°C	X1.50	40°C	X0.80
5°C	X1.40	45°C	X0.75
10°C	X1.30	50°C	X0.70
15°C	X1.20	55°C	X0.65
20°C	X1.10	60°C	X0.60
25°C	X1.00	-	-

NOTES:

RATING: 15A 125V AC
 OPERATING TEMPERATURE: -10°C TO +60°C
 BODY COLOR: BLACK
 ACTUATOR COLOR: RED
 NON-ILLUMINATED SWITCH
 APPROVALS: UL, CSA
 RoHS COMPLIANT

CONTROLLED

Dim range (mm)	Tolerance +/- (mm)	Qualtek Electronics Corp. PPC DIVISION		
		Part Number: 736W-B/102	RoHS Compliant	
0-1	0.15	Description: CIRCUIT BREAKER/SWITCH NON-ILLUMINATED WITH BLACK BODY AND RED ACTUATOR		
1-6	0.20			
6-18	0.30			
18-50	0.50		UNIT: mm	REV. C
50-120	0.70	Drawn / Date	Checked / Date	Approved / Date
120-250	0.90	S.CHEN 08-02-99	08-02-99	JJH / 08-02-99
250-500	1.20			