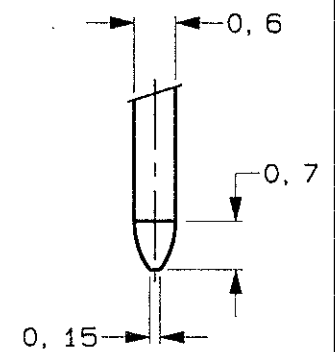
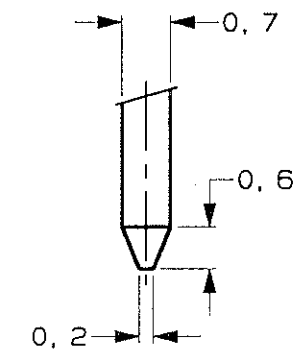
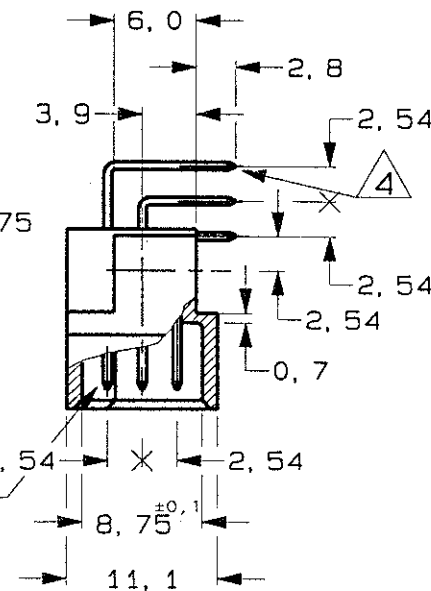
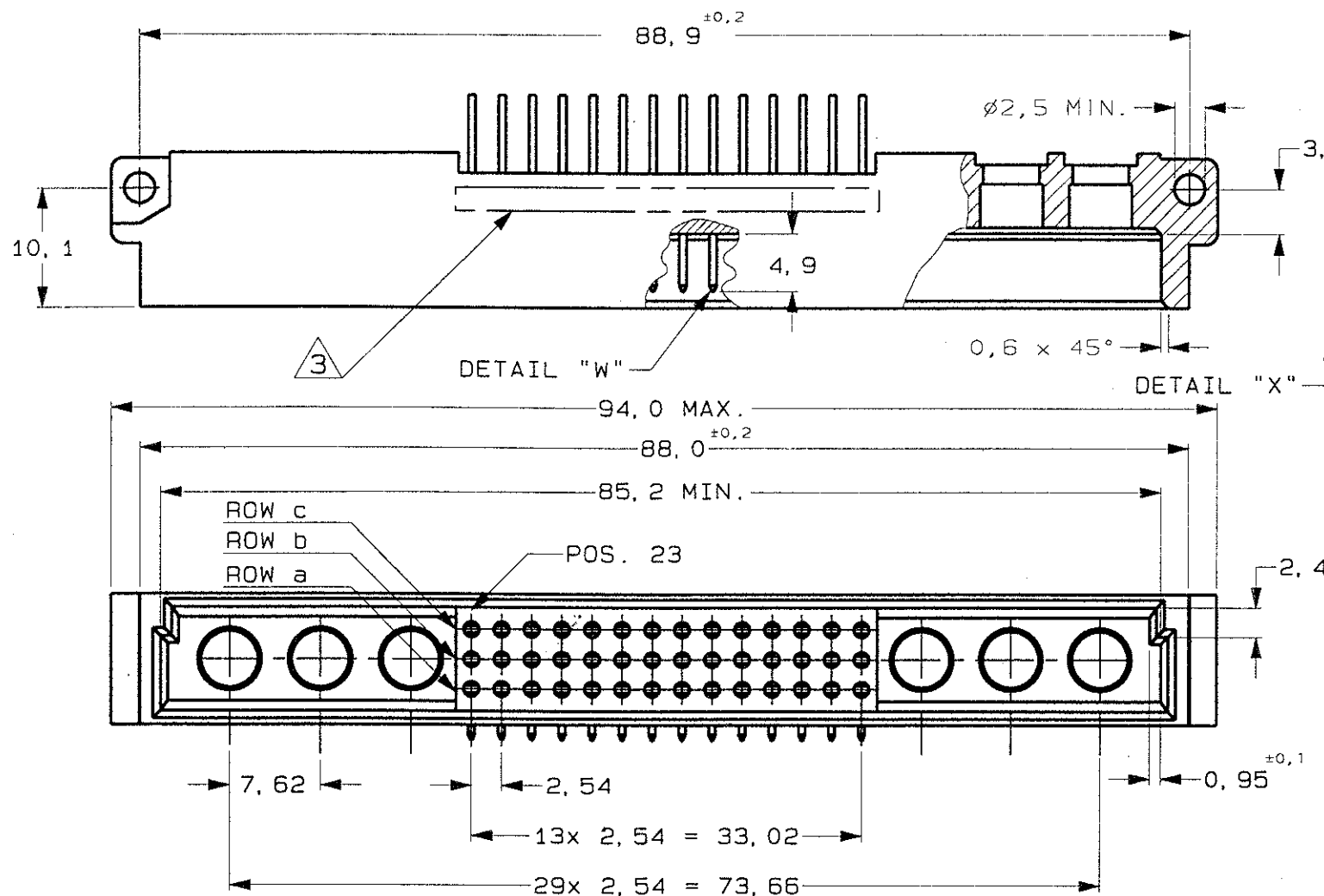


DO NOT SCALE
DIMENSIONS IN mm

METRIC

THIRD ANGLE
PROJECTION



DETAIL W
SCALE 10:1

DETAIL X
SCALE 10:1

ROW	a	b	c	1	2	3	4	5	6	7	8	9	10	11	12	13	14	15	16	17	18	19	20	21	22	23	24	25	26	27	28	29	30	31	32			
POS.				X	X	X	X	X	X	X	X	X	X	X	X	X	X	X	X	X	X	X	X	X	X	X	X	X	X	X	X	X	X	X	X	X	X	

AN ASTERISK , , 'X' ' DENOTES A SIGNAL CONTACT.
AN ASTERISK , , 'O' ' DENOTES A POWER CAVITY.

NOTES:

- 1 MATERIAL :
- HOUSING : GLASSFILLED POLYESTER (GREY).
- CONTACTS: BRASS.
- 2 PLATING CONTACT :
-4 : 0,8µm Au OVER 1,25µm Ni AT CONTACT AREA.
ON SOLDER POST 2,54µm Sn/Pb OVER 1,25µm Ni.
- 3 CONNECTOR PRINTED WITH PARTNUMBER AND DATE CODE.
- 4 SOLDER POSTS SUITABLE FOR P.C.B. HOLES
0,8 ±0,05 OR 1,0 ±0,1 DIA.
- 5. ALL TOLERANCES UNLESS OTHERWISE SPECIFIED :
1 DEC. PLACE ± 0,1 mm
2 DEC. PLACE ± 0,05 mm

				SEE NOTE 2	SEE NOTE 1		216977-4
				FINISH	MATERIAL		PARTNUMBER
-	-	-	-	-	-	CUSTOMER DRAWING FOR REFERENCE ONLY WILL NOT BE UPDATED	
-	-	-	-	-	-	© COPYRIGHT 19- BY AMP HOLLAND B.V. ALL INTERNATIONAL RIGHTS RESERVED. AMP PRODUCTS MAY BE COVERED BY U.S. AND FOREIGN AND/OR PATENTS PENDING.	
-	-	-	-	-	-	THIS DRAWING IS UNPUBLISHED RELEASED FOR PUBLICATION	
-	-	-	-	-	-	AMP HOLLAND B.V. 's-Hertogenbosch, The Netherlands.	
C	EH-1386-98	LvdH	RotB	31 AUG '98	NAME		
B	EH-0695-97	J.G.	J.G.	13-08-97	42 POS. DIN 41612 TYPE M MALE SOLDER CONNECTOR		
LTR.	REVISION RECORD	DR.	CHK.	DATE			
DR.:	R.v.Lokven	CHK.:	R.op ten Berg	APP.:	R.op ten Berg	DWG.No.	REV.LTR.
DATE:	16-03-90	DATE:	-	DATE:	-	C-216977	C
							SHEET
							1 OF 1
							A3