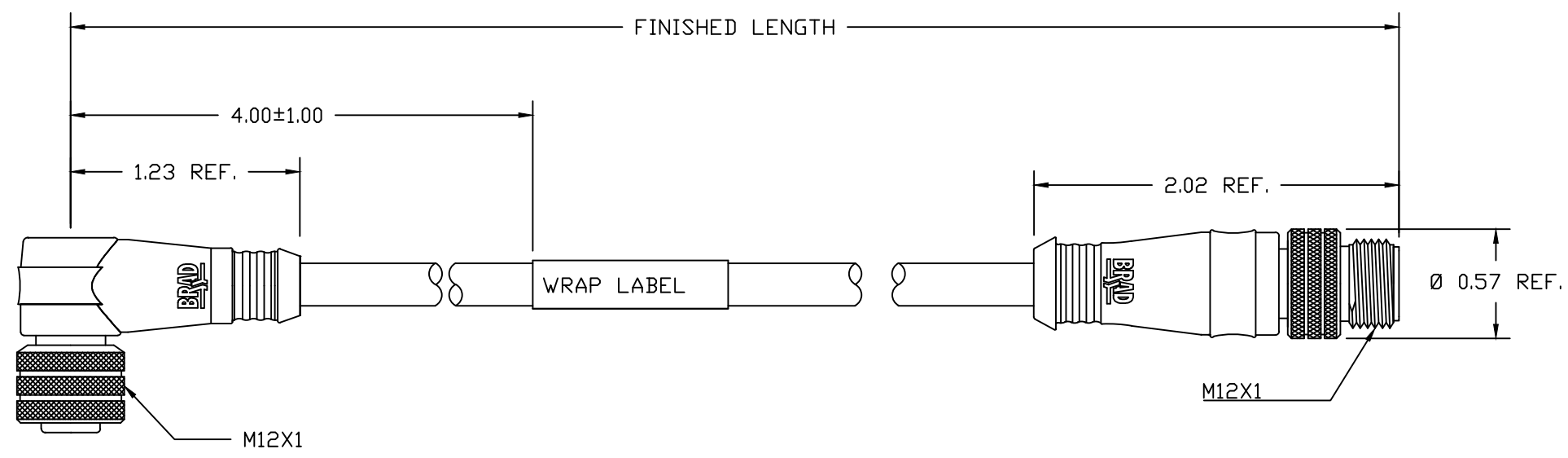
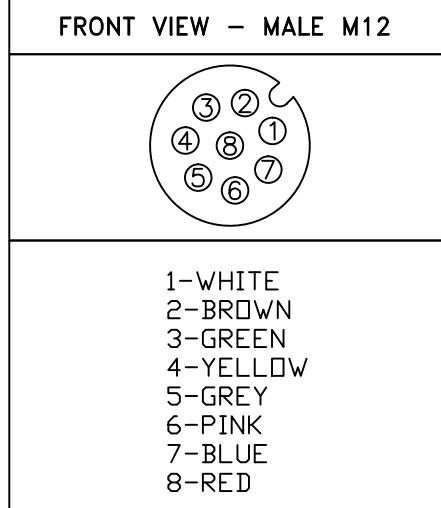
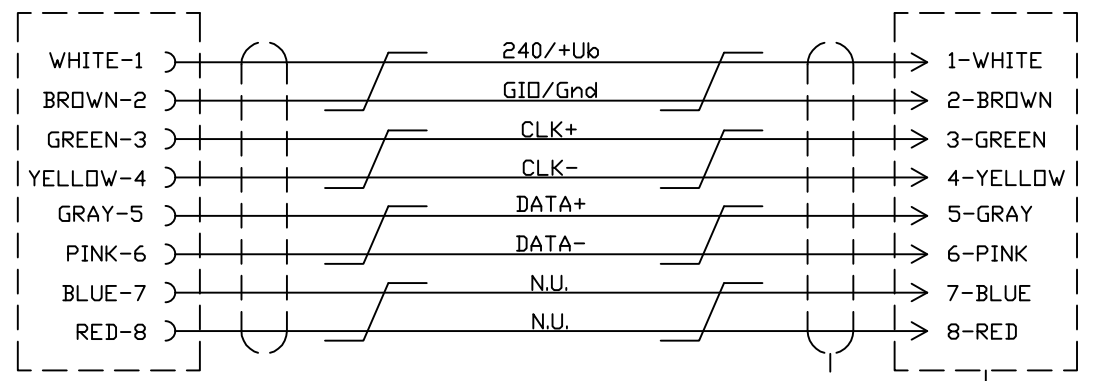


PART NUMBER	ENGINEERING NUMBER	FINISH LENGTH
1200690277	888J31E40M070	22.97' +6.5'-0 [7M +0.16 -0]



CUSTOMER PRODUCTION APPROVAL
 APPROVED BY: _____
 DATE: _____
 MUST BE SIGNED AND RETURNED BEFORE
 PRODUCTION WILL BEGIN.



SALES DRAWING

NOTES:

MECHANICAL

M12
 INSERT: BLACK PUR
 CONTACT: GOLD/NICKEL OVER COPPER ALLOY
 COUPLING NUT: NICKEL PLATED BRASS
 MOLDED BODY: BLACK PUR

CABLE

TYPE: 24 AWG 4 PAIR CONDUCTORS LIYCY GRAY PVC JACKET
 WRAP LABEL: MARKED WITH P/N, DATE CODE, VOLTAGE & AMPERAGE

ELECTRICAL

FACE
 OPERATING TEMP.: -20°C TO +80°C
 VOLTAGE: 30V
 AMPERAGE: 2A

INITIAL RELEASE EC NO: IPG2013-1315 DRWN: BARDEN 2013/02/25 CHKD: BWOODMAN APPR: BWOODMAN 2013/05/13	QUALITY SYMBOLS ▽=0 ∇=0	GENERAL TOLERANCES (UNLESS SPECIFIED)		DIMENSION STYLE INCH ONLY		SCALE NTS	DESIGN UNITS INCH	THIRD ANGLE PROJECTION		
		4 PLACES	±---	±---	DRAWN BY	DATE	MICRO-CHANGE ASSEMBLY 8P M/MFE ST/90 24/4P PVC SHIELDED			
		3 PLACES	±---	±.005	BARDEN	2013/02/25				
		2 PLACES	±0.13	±.010	CHECKED BY	DATE	MOLEX INCORPORATED			
1 PLACE	±0.25	±.020	BWOODMAN	2013/03/08						
ANGULAR ±.5°		DRAFT WHERE APPLICABLE MUST REMAIN WITHIN DIMENSIONS		APPROVED BY DATE BWOODMAN 2013/05/13		MATERIAL NO.	DOCUMENT NO.	SHEET NO.		
SIZE B		THIS DRAWING CONTAINS INFORMATION THAT IS PROPRIETARY TO MOLEX INCORPORATED AND SHOULD NOT BE USED WITHOUT WRITTEN PERMISSION								