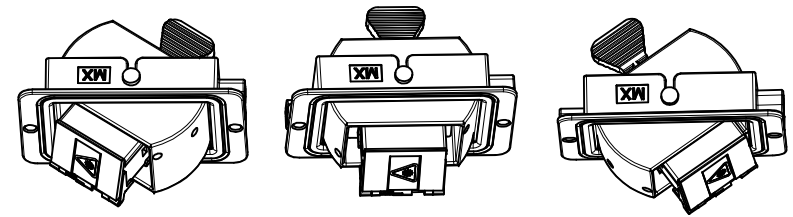
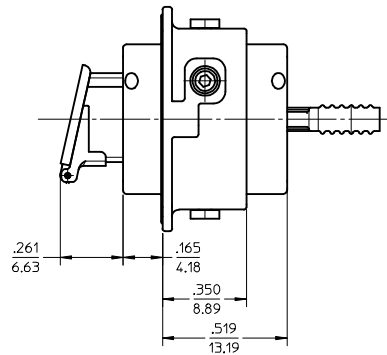
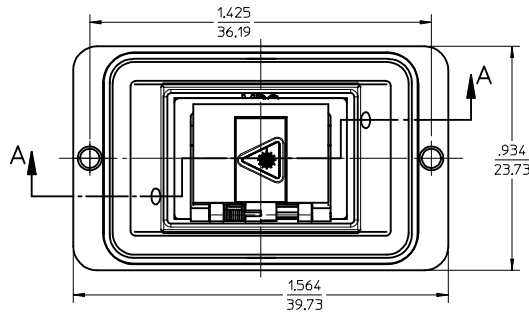


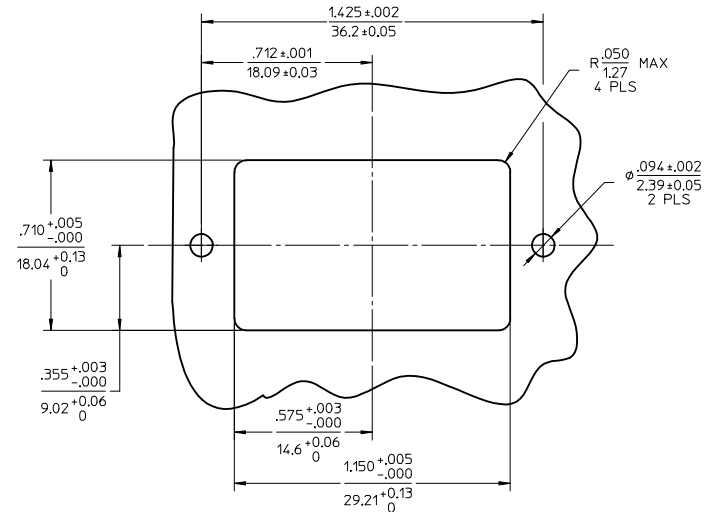
TOP VIEW  
ADAPTER ROTATED +35°



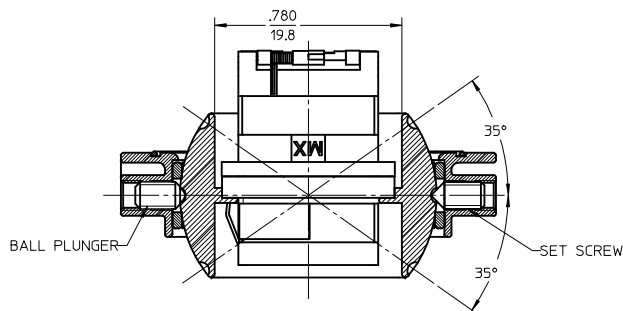
ISOMETRIC VIEWS  
SCALE: 1.5:1



- NOTES:
1. ALL DIMENSIONS ARE FOR REFERENCE ONLY.
  2. USE SET SCREW TO FIX MPO ADAPTER IN THE REQUIRED POSITION: -35°, 0° OR +35°.
  3. SWIVEL ADAPTER IS ALSO AVAILABLE AS LC, MU AND SC VERSIONS.



RECOMMENDED MOUNTING PATTERN



SECTION A-A  
SCALE 2.5:1  
ADAPTER DUST CAP NOT SHOWN

ENTER DESCRIPTION EC NO: MF2006-0389 DRW:PGIBLIN 2005/12/14 CHKD: 2005/12/14 APPR:IGJMIN 2005/12/14 REV: A	QUALITY SYMBOLS ▽=0 ▽=0	GENERAL TOLERANCES (UNLESS SPECIFIED)		DIMENSION STYLE IN/MM	SCALE 2:1	DESIGN UNITS INCH	THIRD ANGLE PROJECTION
		4 PLACES ± --- ± --- 3 PLACES ± --- ± --- 2 PLACES ± --- ± --- 1 PLACE ± --- ± --- ANGULAR ± 1/2°	DRAWN BY PGIBLIN	DATE 2005/12/06	CHECKED BY DATE	APPROVED BY DATE	TITLE MPO EMI SWIVEL ADAPTER BALL PLUNGER/SET SCREW VERSION
DRAFT WHERE APPLICABLE MUST REMAIN WITHIN DIMENSIONS		MATERIAL NO. 1061149500	DOCUMENT NO. SD-106114-9500	MOLEX INCORPORATED			
				SIZE C	THIS DRAWING CONTAINS INFORMATION THAT IS PROPRIETARY TO MOLEX INCORPORATED AND SHOULD NOT BE USED WITHOUT WRITTEN PERMISSION		
				SHEET NO. 1 OF 1			