

NOTE :

1.MATERIAL :
 △ B HOUSING :HIGH TEMP THERMOPLASTIC,UL94-V0
 COLOR:SEE TABLE.
 TERMINAL :PHOSPHOR BRONZE
 METAL SHELL :SPCC
 BRACKET :SPCC
 BOARD LOCK :BRASS
 NUT :BRASS

2.PLATING :
 TERMINAL :
 CONTACT AREA :GOLD(Au) FLASH
 SOLDER TAIL :TIN(Sn),THICKNESS=100 MICREINCH MIN/2.54 MICROMETER MIN.
 UNDER PLATE :NICKEL(NI)

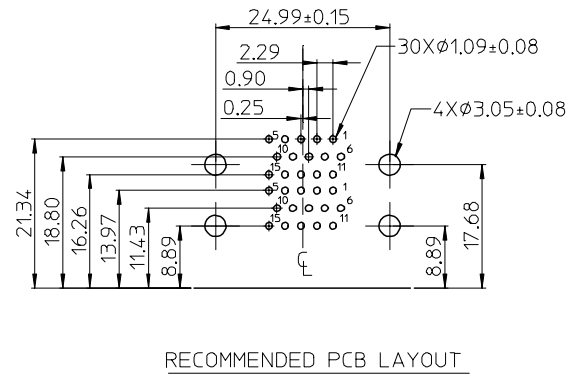
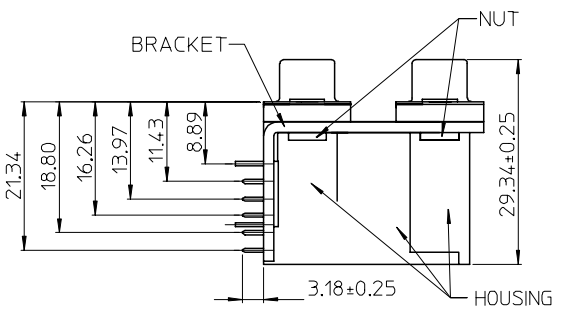
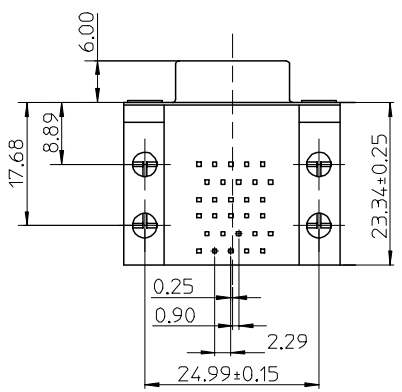
△ B METAL SHELL :TIN (Sn),THICKNESS=80 MICREINCH MIN/2.03 MICROMETER MIN.
 UNDER PLATE : COPPER(Cu).

△ B BRACKET :TIN (Sn),THICKNESS=50 MICREINCH MIN/1.27 MICROMETER MIN.

△ B NUT :TIN(Sn), THICKNESS=30 MICROINCH MIN. / 0.76 MICROMETER MIN.

3.RECOMMANED PCB THICKNESS :1.60+/-0.05mm
 4.PRODUCT SPECIFICATION : REFER TO PS-48145-001
 5.TEST SUMMARY REFER TO TS-48145-001
 △ B 6.LEAD FREE AND ROHS COMPLIANCE PRODUCT.

P/N	HOUSING COLOR
48145-0001	UPPER CONNECTOR-BLACK LOWER CONNECTOR-BLACK
48145-1000	UPPER CONNECTOR-BLACK LOWER CONNECTOR-PANTONE #661C :BLUE
△ B 48145-2000	UPPER CONNECTOR-PANTONE #661C :BLUE LOWER CONNECTOR-PANTONE #661C :BLUE



PDR-CM0059/EWR-2005-0117 EC NO: SH2005-0335 DRWN:ALLIN 2005/06/10 CHKD: 2005/06/17 APPR:WMSCHANG 2005/06/17	QUALITY SYMBOLS ▽=0 ∇=0	GENERAL TOLERANCES (UNLESS SPECIFIED)		DIMENSION STYLE MM ONLY		SCALE	DESIGN UNITS METRIC	THIRD ANGLE PROJECTION	
			mm	INCH	DRAWN BY LINDA	DATE	TITLE D SUBMINIATURE, RIGHT ANGLE STACK CONNECTOR (LEAD FREE VERSION)		
		4 PLACES	± ---	± ---	CHECKED BY ALLEN	DATE	MOLEX MOLEX INCORPORATED		
		3 PLACES	± ---	± ---	APPROVED BY WILSON	DATE	DOCUMENT NO. SD-48145-001		SHEET NO. 1 OF 1
		2 PLACES	± 0.25	± ---	MATERIAL NO. SEE TABLE				
		1 PLACE	± 0.25	± ---	SIZE A 4		THIS DRAWING CONTAINS INFORMATION THAT IS PROPRIETARY TO MOLEX INCORPORATED AND SHOULD NOT BE USED WITHOUT WRITTEN PERMISSION		
		ANGULAR ± 3 °		DRAFT WHERE APPLICABLE MUST REMAIN WITHIN DIMENSIONS					