

RH-U2 Tubular handles

Aluminium and stainless steel



HANDLE SHANKS

Threaded aluminium, epoxy resin coating, black colour, matte finish. Threaded holes for zinc-plated steel M10x70 screws, nuts and washers, included in the supply.

TUBE

AISI 304 stainless steel, ground surface.

SIDE END CAPS

Glass-fibre reinforced polyamide based (PA) technopolymer, black colour.

FEATURES AND APPLICATIONS

RH-U2 series handles are used on machines and equipment also of large dimensions. Thus ensuring a very ergonomic grip which is important during operations.

SPECIAL EXECUTIONS ON REQUEST

Different lengths.

RH-TL.U3 Tubular handles

Aluminium and stainless steel



HANDLE SHANKS

Extruded aluminium, anodised in natural colour, semi-glossy finish. Threaded blind holes.

TUBE

AISI 304 stainless steel, ground surface.

SIDE END ELEMENTS

Turned AISI 303 stainless steel.

FEATURES AND APPLICATIONS

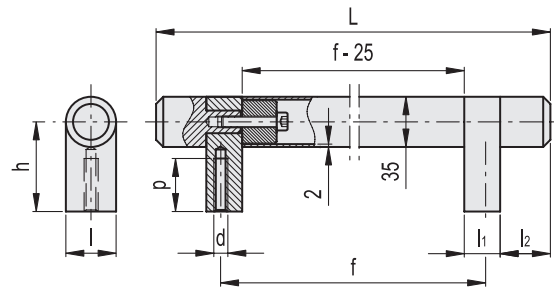
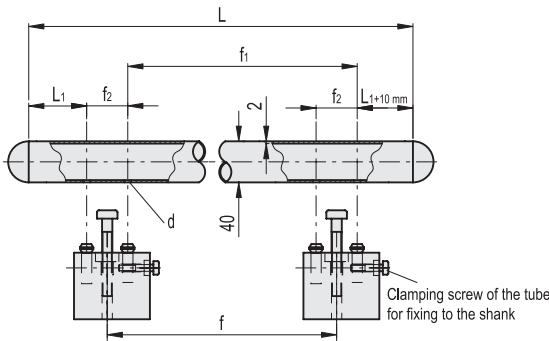
RH-TL.U3 series handles are suitable for use on doors of machines and equipment and ensure an ergonomic grip during frequent operations.

SPECIAL EXECUTIONS ON REQUEST

- Different lengths.
- Version for doors with double handle.



Conversion Table			
1 mm = 0.039 inch			
L		d	
mm	inch	mm	inch
395	15.55	12.5	0.49
595	23.42		
795	31.30		
800	31.50		
1000	39.37		



Code	f	f1	f2	L	L1	d	⚖️
RHU2-40.500.37	500	500	40	800	125	12.5	2179
RHU2-40.700.37	700	700	40	1000	125	12.5	2501



Code	f	d	p	L	h	l	l1	l2	⚖️
RHTL.U3-35.G300.EG	300	M8	37	395	62.5	35	25	35	1420
RHTL.U3-35.G500.EG	500	M8	37	595	62.5	35	25	35	1700
RHTL.U3-35.G700.EG	700	M8	37	795	62.5	35	25	35	2000

- 1
- 2
- 3
- 4
- 5
- 6
- 7
- 8
- 9
- 10
- 11
- 12
- 13
- 14
- 15
- 16
- 17
- 18

Lift & Pull handles