

THIS COPY IS PROVIDED ON A RESTRICTED BASIS AND IS NOT TO BE USED IN ANY WAY DETRIMENTAL TO THE INTERESTS OF PANDUIT CORP.

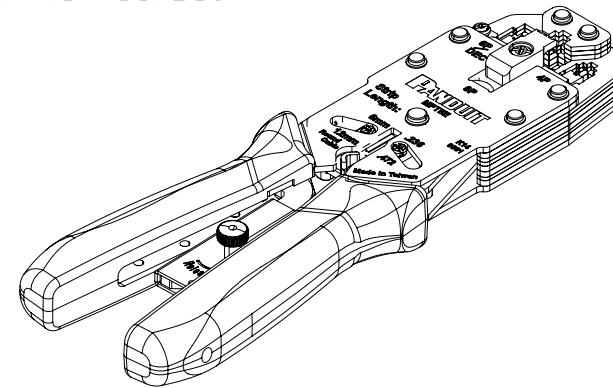
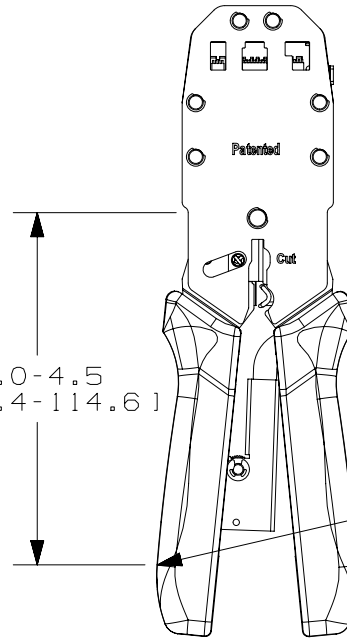
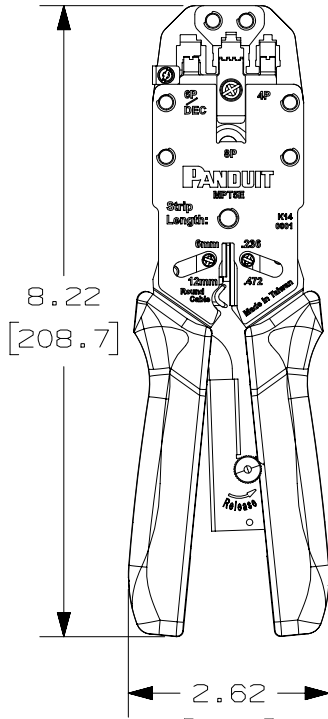
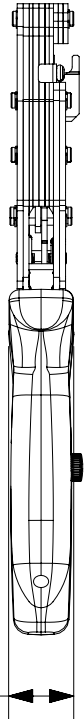
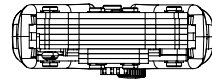
PANDUIT P/N	WEIGHT
NKMPT5E	1.72 lb/pc (780.19g/pc)

NOTES:

- DESCRIPTION: NKMPT5E MULTI-TERMINAL CRIMP TOOL
- TOOL FOR USE WITH CATEGORY 5E, 8 POSITION MODULAR PLUGS, SHIELDED AND UN-SHIELDED (PANDUIT PART NUMBERS MP588, MPS588).

DISCLAIMER

TOOL SHOULD BE OPERATED BY HANDS ONLY. USE OF MECHANISMS OR OTHER POWERED DEVICES FOR TOOL ACTUATION IS NOT RECOMMENDED AND MAY DAMAGE THE TOOL AND/OR PLUG. TOOL HANDLE FORCE TO BE A MAXIMUM OF 45 POUNDS.



CRIMP HANDLE FORCE TO BE MEASURED IN THIS AREA (SEE DISCLAIMER)

PART NUMBER		NKMPT5E	
TITLE			
PANDUIT MULTI-TERMINAL PLUG CRIMP TOOL			
CUSTOMER DRAWING			
ITEM REVISION NAME		R27425AC/00	
DATASET FILE NAME		R27425AC_DC/00A	
UNLESS OTHERWISE SPECIFIED, DIMENSIONAL TOLERANCES ARE: IN (mm)		MATERIAL:	
.x ± .xxx ± .010 (.3)		BODY: STEEL	
.xx ± .03 (.8)		HANDLES: RUBBER	
ANGLES ±		DRAWING NUMBER:	
THIRD ANGLE PROJECTION		R27425AC	
DRAWN BY	DATE	CHK	SCALE
TWV	9-26-17	SIP	NONE
SHT 1 OF 1			SIZE
A			A

00A	9-26-17	TWV	SIP	SASK	RELEASED TO PRODUCTION	R27425AC
REV	DATE	BY	CHK	APR	DESCRIPTION	ECN

D10100DA/14