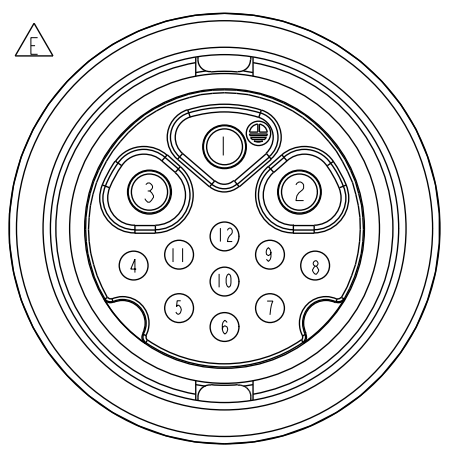
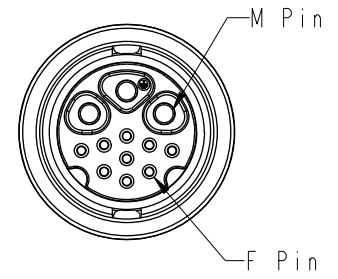
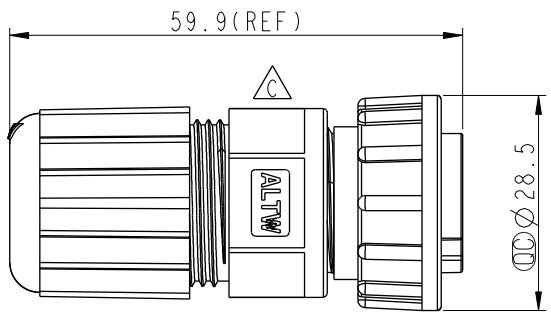
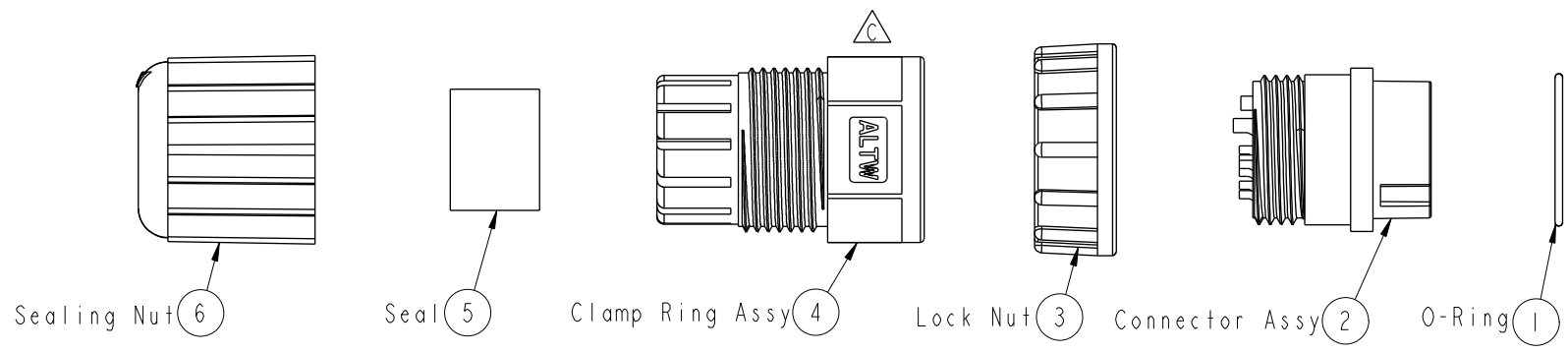


THIS DOCUMENT IS SUBJECT TO CHANGE WITHOUT NOTICE. IT IS CONFIDENTIAL AND A PROPERTY OF AMPHENOL LTW. DISCLOSURE TO THIRD PARTY HAS TO BE AUTHORIZED BY AMPHENOL LTW.

REV.	ECN NO.	DATE	SIGN	DESCRIPTION
C	LEN15B0041	2015/10/27	Ruru	Change Logo
D	LEN1680287	2016/08/08	Mafei	Updated The Note O-Ring Color
E	LEN1860123	2018/06/07	Jane	Updated Pin Number



- Note:
- * \varnothing Important Dimension To Check.
 - * Waterproof Rate: IP67
 - * Connector: Nylon+GF, Black
 - * Pin: Copper Alloy, Gold Plated
 - Δ * O-Ring: EPDM, Black
 - * Lock Nut: Nylon+GF, Black
 - * Clamp Ring: Nylon, Black
 - * Seal: EPDM, Black
 - * Sealing Nut: Nylon, Black
 - \triangle * Cable OD Max : $\varnothing 10.0 \sim \varnothing 12.4$ mm

UNIT: mm		
TOLERANCE		
.X	± 0.25	
.XX	± 0.1	
.XXX	± 0.05	
ANGLES	$\pm 1^\circ$	

TITLE Large Assy Connector FConn 3MPin(20A)+9FPin(5A)			
SCALE 1:1	SIZE A4	SHEET 1 OF 1	
REV. E	WC-REV. B.4	\varnothing : Inspection item	

Amphenol LTW
安費諾亮泰企業股份有限公司

ITEM NO. DCD-12BFEA-LL7001	DRAWN BY Jane	DATE 2018/06/07
DWG NO. DCD-12BFEA-LL7001	CHECKED BY Neo	DATE 2018/06/07
CUSTOMER ALTW	APPROVED BY Max	DATE 2018/06/07