

4

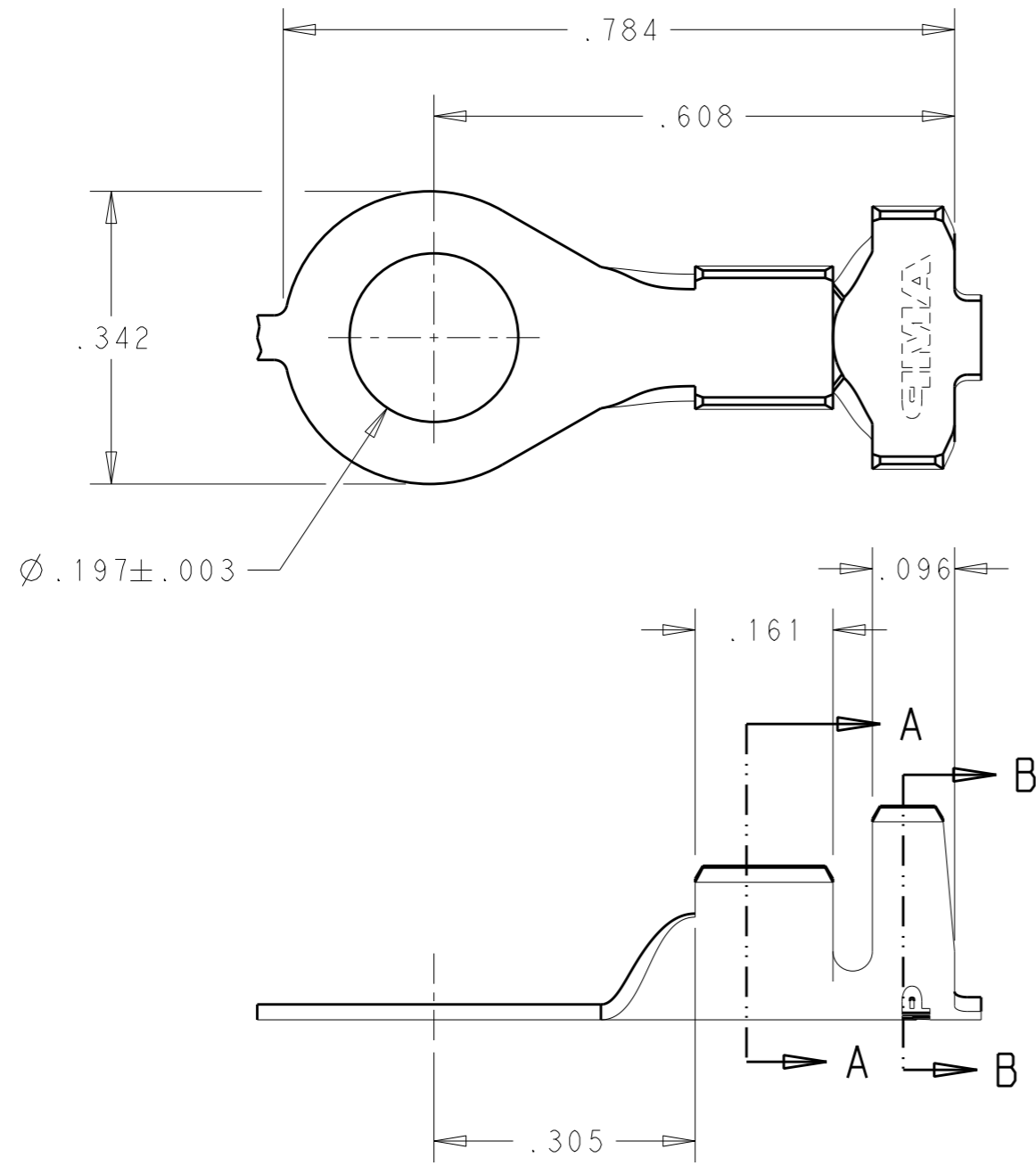
3

2

1

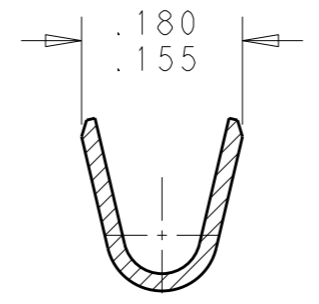
THIS DRAWING IS UNPUBLISHED. RELEASED FOR PUBLICATION  
 © COPYRIGHT - BY - TE CONNECTIVITY ALL RIGHTS RESERVED.

REVISIONS					
P	LTR	DESCRIPTION	DATE	DWN	APVD
	F2	REVISED PER ECR-17-008062	05JUN2017	BW	FV

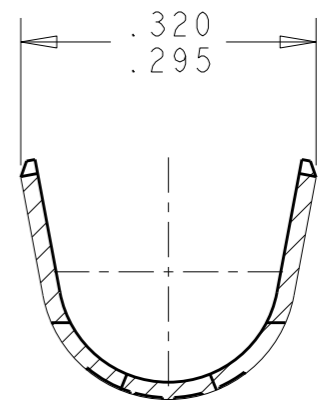


CRIMPING DATA

TYPE	SIZE	INSULATION RANGE	TYPE	SIZE	CRIMP HEIGHT	WIRE SIZE	PAO LTR	WIRE RANGE	FEED	APPL INST
INSULATION BARREL CRIMP	F	.150-.250, (2).125	F	.140	.067	(1)16 OR (2)18	D	16-12, (2)16, (2)18	.855	A1 8039
					.073	14	C			
					.078	(2)16	B			
					.084	12	A			
					WIRE BARREL CRIMP					



SECTION A-A



SECTION B-B

WIRE SIZE	INSUL SIZE(2)
16-12	Ø .125

NICKEL PLATED STEEL	640253-4
REELED WITH "U" S UP	640253-2
REELED WITH "U" S UP	640253-1
PLATING	PART NUMBER

THIS DRAWING IS A CONTROLLED DOCUMENT.		DWN	-	<b>TE Connectivity</b>											
DIMENSIONS: INCHES		CHK	-												
TOLERANCES UNLESS OTHERWISE SPECIFIED:		APVD	-												
<table border="0"> <tr><td>0 PLC</td><td>±-</td></tr> <tr><td>1 PLC</td><td>±-</td></tr> <tr><td>2 PLC</td><td>±-</td></tr> <tr><td>3 PLC</td><td>±.015</td></tr> <tr><td>4 PLC</td><td>±-</td></tr> <tr><td>ANGLES</td><td>±-</td></tr> </table>		0 PLC	±-				1 PLC	±-	2 PLC	±-	3 PLC	±.015	4 PLC	±-	ANGLES
0 PLC	±-														
1 PLC	±-														
2 PLC	±-														
3 PLC	±.015														
4 PLC	±-														
ANGLES	±-														
MATERIAL .018 BRASS		FINISH	TIN	NAME RING											
		WEIGHT	-	SIZE	CAGE CODE	DRAWING NO	RESTRICTED TO								
		CUSTOMER DRAWING	-	A3	00779	640253	-								
		SCALE	5:1	SHEET	1 OF 1	REV	F2								