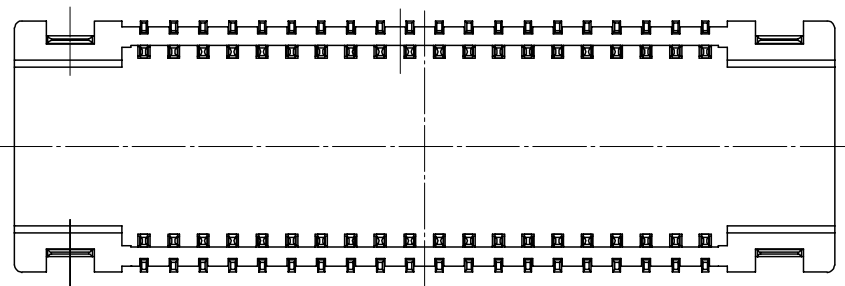
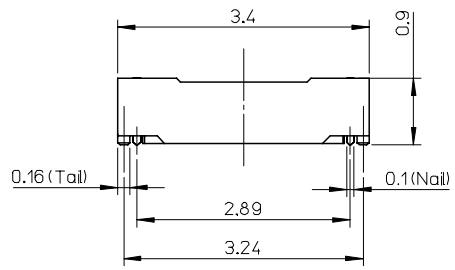
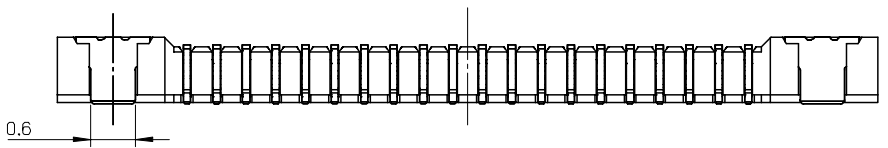
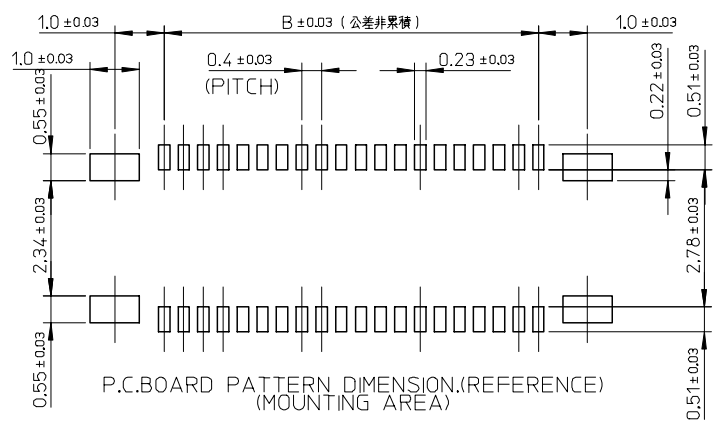
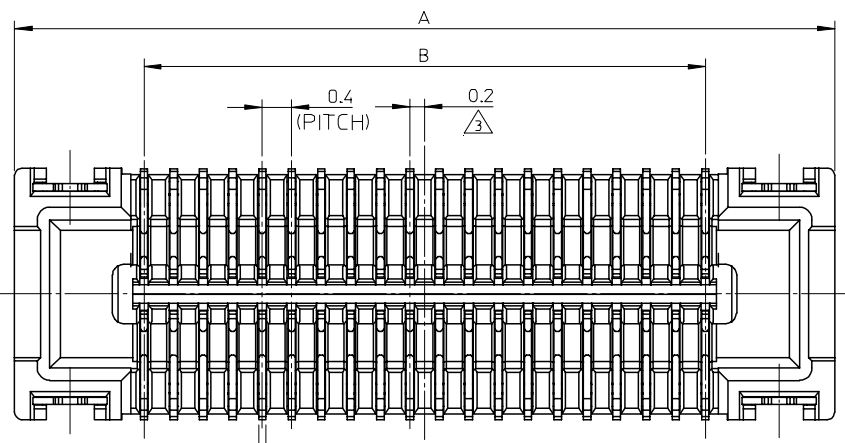


10 9 8 7 6 5 4 3 2 1

F  
E  
D  
C  
B  
A

F  
E  
D  
C  
B  
A



11.6	9.6	13.1	501591-5000	50
9.6	7.6	11.1	501591-4000	40
7.6	5.6	9.1	501591-3000	30
6.8	4.8	8.3	501591-2600	26
6.4	4.4	7.9	501591-2400	24
6.0	4.0	7.5	501591-2200	22
5.6	3.6	7.1	501591-2000	20
C	B	A	MATERIAL NO.	CIRCUIT

RELEASED EC NO: J2006-2962 DRWN: TASAKAWA 2006/04/06 CHKD: THIRATA 2006/04/06 APPR: THIRATA 2006/04/12	GENERAL TOLERANCES (UNLESS SPECIFIED)		DIMENSION STYLE MM ONLY		SCALE 15:1	DESIGN UNITS METRIC	THIRD ANGLE PROJECTION	
	10 UNDER	± 0.2	DRAWN BY TASAKAWA	DATE 2005/09/16	TITLE 0.4MM PITCH B/B CONN. H=0.9 W=3.4 REC ASSY -LEAD FREE-			
	10 OVER 30 UNDER	± 0.25	CHECKED BY THIRATA	DATE 2005/09/16				
	30 OVER	± 0.3	APPROVED BY MSASAO	DATE 2005/09/16	MOLEX INCORPORATED			
	ANGULAR	± 1 °	MATERIAL NO. 501591-**00					
DRAFT WHERE APPLICABLE MUST REMAIN WITHIN DIMENSIONS		SIZE A3		THIS DRAWING CONTAINS INFORMATION THAT IS PROPRIETARY TO MOLEX INCORPORATED AND SHOULD NOT BE USED WITHOUT WRITTEN PERMISSION				

10 9 8 7 6 5 4 3 2 1

F

E

D

C

B

A

注記 NOTES

1.使用材料 MATERIAL

ハウジング: 液晶ポリマー (LCP) ガラス充填 UL-94V-0 (黒)  
 HOUSING : LIQUID CRYSTAL POLYMER (GLASS FILLED) UL94V-0 (COLOR:BLACK)

ターミナル: りん青銅 (t=0.1)  
 TERMINAL : PHOSHOR BRONZE (t=0.1)

金具: りん青銅 (t=0.1)  
 FITTING NAIL : PHOSHOR BRONZE (t=0.1)

2.メッキ仕様 PLATING

ターミナル TERMINAL

金メッキ 0.1マイクロメートル以上 (コンタクト部)  
 GOLD 0.1 MICROMETER MINIMUM (CONTACT AREA)

金メッキ 0.05マイクロメートル以上 (テール部)  
 GOLD 0.05 MICROMETER MINIMUM (TAIL AREA)

下地メッキ: ニッケルメッキ 1.0 マイクロメートル以上  
 UNDER PLATING : NICKEL 1.0 MICROMETER MINIMUM

金具 FITTING NAIL

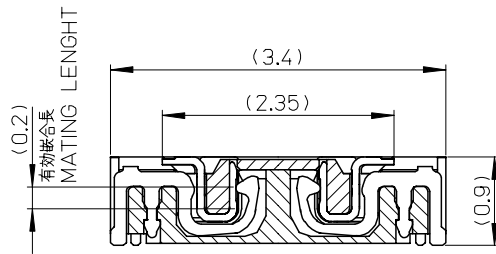
錫メッキ :1.0マイクロメートル以上  
 TIN PLATING :1.0 MICROMETER MINIMUM

下地メッキ: ニッケルメッキ 1.0マイクロメートル以上  
 UNDER PLATING : NICKEL 1.0 MICROMETER MINIMUM

△ (全極数/2)=偶数の場合に適用  
 APPLY FOR (CIRCUIT/2)=EVEN

4.嵌合相手 : 501594シリーズ  
 WITH MATE : 501594SERIES

5.テール及び金具の平坦度は、0.1以下  
 TAIL AND FITTING NAIL COPLANARITY TO BE 0.1 MAXIMUM



嵌合断面図 (参考)  
 MATED DRAWING

RELEASED EC NO: J2006-2962 DRWN: TASAKAWA 2006/04/06 CHKD: THIRATA 2006/04/06 APPR: THIRATA 2006/04/12	GENERAL TOLERANCES (UNLESS SPECIFIED)		DIMENSION STYLE MM ONLY	SCALE 1:1	DESIGN UNITS METRIC	THIRD ANGLE PROJECTION
	10 UNDER	± 0.2	DRAWN BY TASAKAWA	DATE 2005/09/16	TITLE 0.4MM PITCH B/B CONN. H=0.9 W=3.4 REC ASSY -LEAD FREE-	
	10 OVER 30 UNDER	± 0.25	CHECKED BY THIRATA	DATE 2005/09/16	MOLEX INCORPORATED MATERIAL NO. 501591-***00 DOCUMENT NO. SD-501591-001 SHEET NO. 2 OF 2	
	30 OVER	± 0.3	APPROVED BY MSASAO	DATE 2005/09/16		
	ANGULAR	± 1 °	DRAFT WHERE APPLICABLE MUST REMAIN WITHIN DIMENSIONS		THIS DRAWING CONTAINS INFORMATION THAT IS PROPRIETARY TO MOLEX INCORPORATED AND SHOULD NOT BE USED WITHOUT WRITTEN PERMISSION	
REV A			SIZE A3			

9

8

7

6

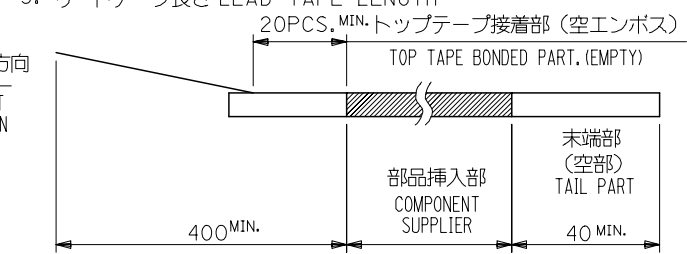
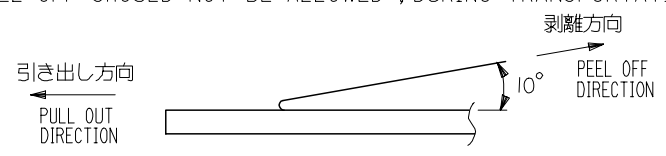
5

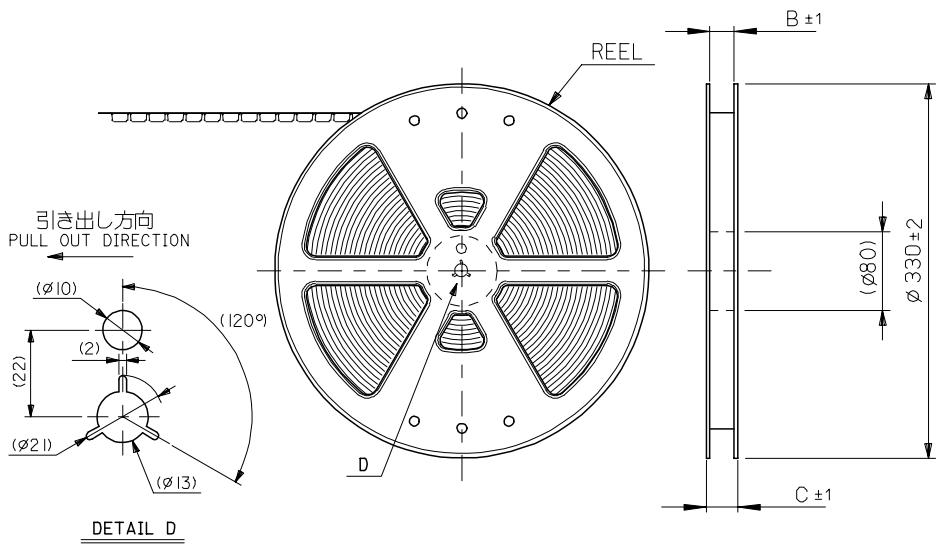
4

3

2

NOTES

- 製品詳細寸法については製品単体図面を参照下さい。  
RE DETAILED DIMENSION, SEE PRODUCT DRAWING.
- 梱包数量： 3000 個/リール  
NUMBER OF CONNECTORS : 3000 PCS/REEL
- リードテープ長さ LEAD TAPE LENGTH  

- トップテープの剥離強度： 0.1N ~ 1.3N (10gf ~ 130gf)  
(剥離方向は下図参照)  
尚、本規格値は出荷時に適用。(但し、輸送時に剥離が発生しないこと。)  
PEELING OFF FORCE OF TOP TAPE : 0.1N ~ 1.3N (10gf ~ 130gf)  
(PEELING DIRECTION AS SHOWN IN FOLLOWING FIG.)  
THIS REQUIREMENT SHOULD BE APPLIED AT SHIPMENT.  
PEEL OFF SHOULD NOT BE ALLOWED , DURING TRANSPORTATION.  

- 材料 MATERIAL  
キャリアテープ (CARRIER TAPE) : ポリスチレン (POLYSTYLENE)  
トップテープ (TOPTAPE) : PET , PE , PEF  
リール (REEL) : ポリスチレン (PS) <リサイクル材を含む>  
POLYSTYLENE (PS) <RECYCLE MATERIAL CONTAINED>



DETAIL D

REVISED EC NO: J2007-0986 DRWNG: SASAKI 2006/10/03 CHKD: TASAKAWA 2006/10/03 APPR: TASAKAWA 2006/10/05	GENERAL TOLERANCES (UNLESS SPECIFIED)		DIMENSION STYLE MM ONLY	SCALE ---	DESIGN UNITS METRIC	THIRD ANGLE PROJECTION	501591-**-01 MODEL NO.
	10 UNDER	±0.2	DRAWN BY TASAKAWA	DATE 2005/08/01	TITLE 0.4 B-TO-B CONN. REC ASSY (HGT=0.9) EMBSTP PKG -LEAD FREE-		
	10 OVER 30 UNDER	±0.25	CHECKED BY THIRATA	DATE 2005/08/01	MOLEX INCORPORATED		
	30 OVER	±0.3	APPROVED BY MSASAO	DATE 2005/08/01	SHEET NO. 1 OF 2		
	ANGULAR	±3 °	MATERIAL NO. SEE CHART		DOCUMENT NO. SD-501591-002	SHEET NO. 1 OF 2	
DRAFT WHERE APPLICABLE MUST REMAIN WITHIN DIMENSIONS		SIZE A3	THIS DRAWING CONTAINS INFORMATION THAT IS PROPRIETARY TO MOLEX INCORPORATED AND SHOULD NOT BE USED WITHOUT WRITTEN PERMISSION				

10 9 8 7 6 5 4 3 2 1

F

E

D

C

B

A

F

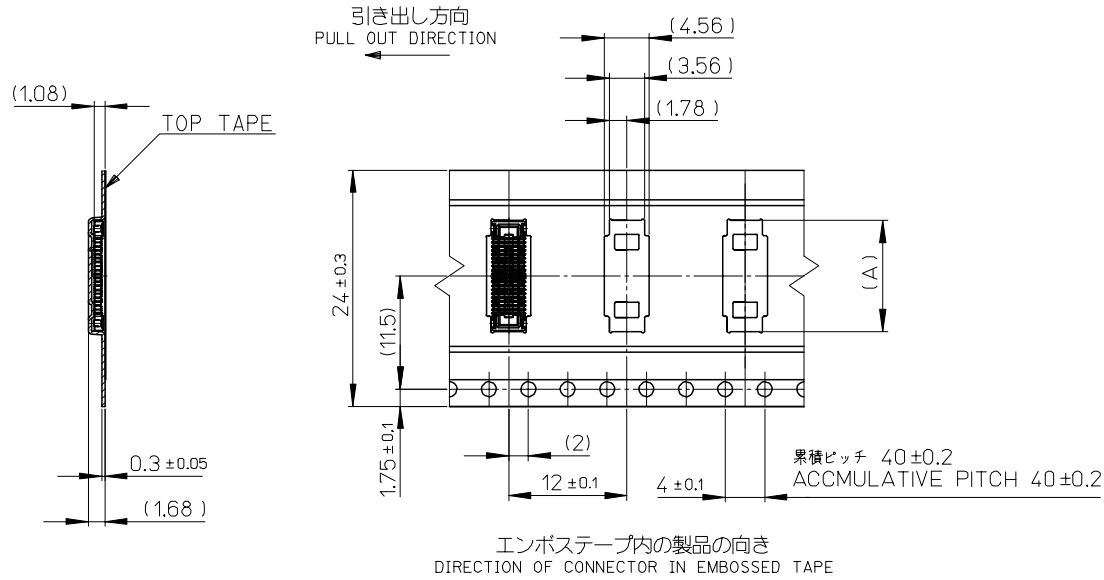
E

D

C

B

A



24	29.4	25.4	13.26	501591-5001	50
			11.26	501591-4001	40
			9.26	501591-3001	30
			8.46	501591-2601	26
			8.06	501591-2401	24
			7.66	501591-2201	22
			7.26	501591-2001	20
キャリアテープ幅 CARRIER TAPE WIDTH			C	B	(A)
			MATERIAL NO.	極数 CKT.	

REVISED EC NO: J2007-0986 DRWNG: SASAKI 2006/10/03 CHKD: TASAKAWA 2006/10/03 APPR: TASAKAWA 2006/10/05	GENERAL TOLERANCES (UNLESS SPECIFIED)		DIMENSION STYLE MM ONLY		SCALE ---	DESIGN UNITS METRIC	THIRD ANGLE PROJECTION
	10 UNDER	± 0.2	DRAWN BY TASAKAWA	DATE 2005/08/01	TITLE 0.4 B-TO-B CONN. REC ASSY (HGT=0.9) EMBSTP PKG -LEAD FREE-		
	10 OVER 30 UNDER	± 0.25	CHECKED BY THIRATA	DATE 2005/08/01	MOLEX INCORPORATED		
	30 OVER	± 0.3	APPROVED BY MSASAO	DATE 2005/08/01	DOCUMENT NO. SD-501591-002		
	ANGULAR	± 3 °	MATERIAL NO.		SHEET NO. 2 OF 2		
DRAFT WHERE APPLICABLE MUST REMAIN WITHIN DIMENSIONS		SEE CHART		THIS DRAWING CONTAINS INFORMATION THAT IS PROPRIETARY TO MOLEX INCORPORATED AND SHOULD NOT BE USED WITHOUT WRITTEN PERMISSION			

9

8

7

6

5

4

3

2