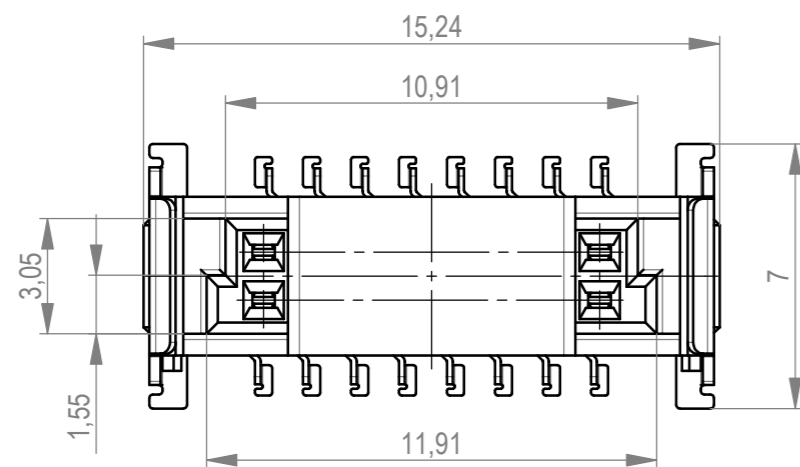
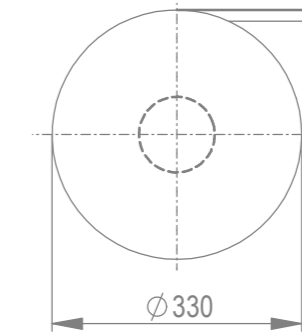
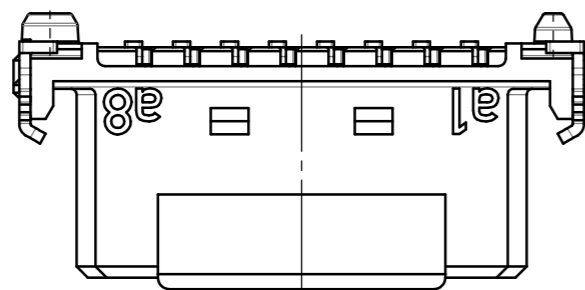
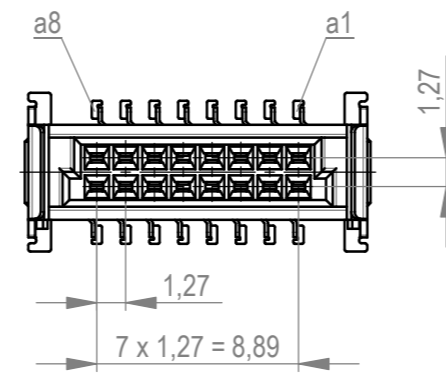


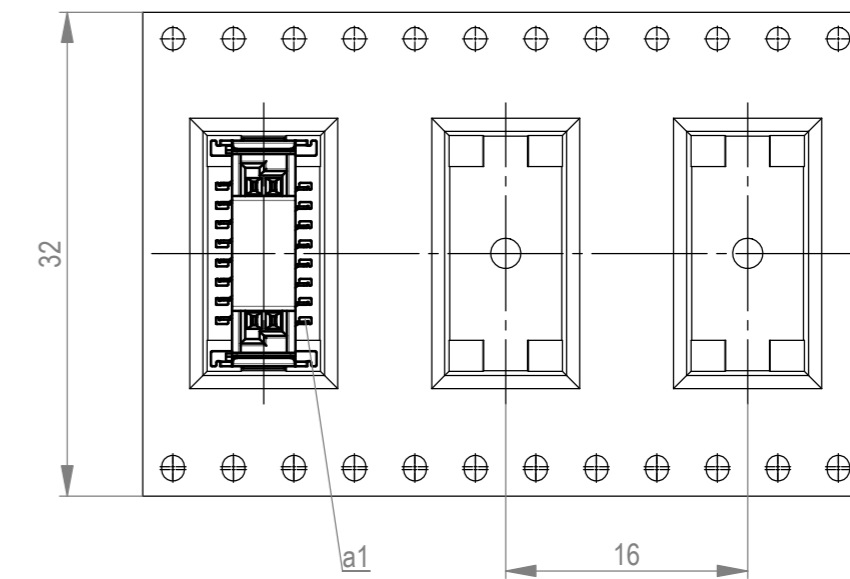
Verpackt im Gurt in Anlehnung an DIN IEC 60286-3
 tape on reel packaging according to DIN IEC 60286-3
 Verpackungseinheit: 280 Stück
 packaging unit: 280 pcs



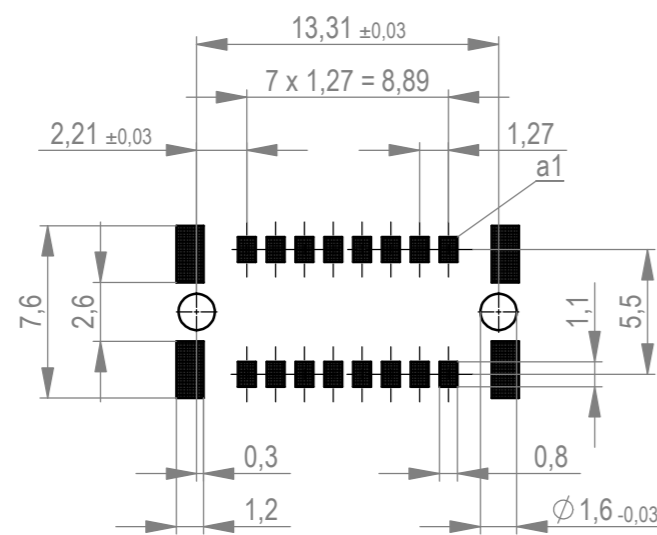
ohne Ansaughaube - without hood



Abspulrichtung - reel off direction



Leiterplatten-Layout Vorschlag für SMT
 PCB-Layout Proposal for SMT



Anforderungsstufe 1
 performance level 1

Kontaktbereich vergoldet
 mating area gold plating

Anschlussbereich verzinnt 4-6 µm
 terminal area 4-6 µm tin plating

Koplanarität der Anschlüsse ≤ 0,1 mm
 coplanarity area of termination ≤ 0,1 mm

BA 7-13 - 8mm Bauhöhe
 type7-13 - low profile

Die deutsche Version dieser Zeichnung dient nur zur Erläuterung der Handlung. Bei Abweichungen vom englischen Original gilt das englische Original. No warranty is given for the accuracy of any dimension or any detail from the original drawing that has been altered for convenience only. In case of any deviation the English version shall prevail.

Dimension no.	Tolerances	Scale 5:1 Material
	ISO 8015	All Dimensions in mm
Customer drawing: All rights reserved. Only for information. To ensure that this is the latest version of this drawing, please contact one of the ERNI companies before using.	Subject to modification without prior notice. Drawing will not be updated.	Federl. SMC-B 16-SMD-BA7-13 Female SMC-B 16-SMD-type7-13
c 06.03.2020 Index Date	ERNI International AG Zürichstrasse 72 8306 Brüttisellen - Zürich Switzerland	354055 I A2
	Class	SMCB