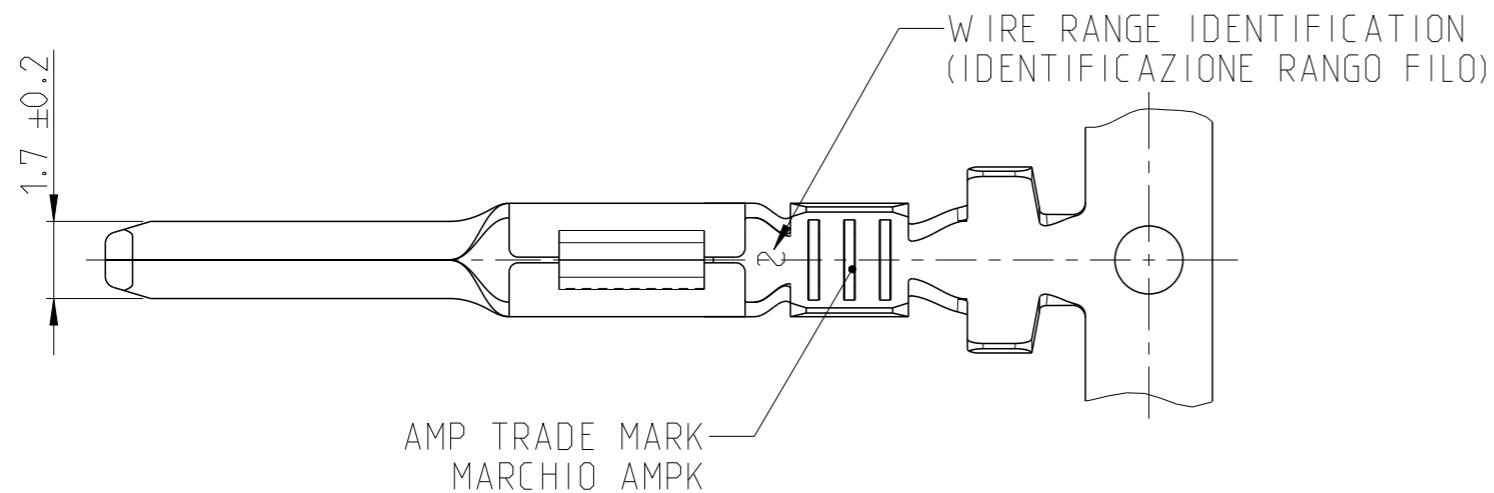
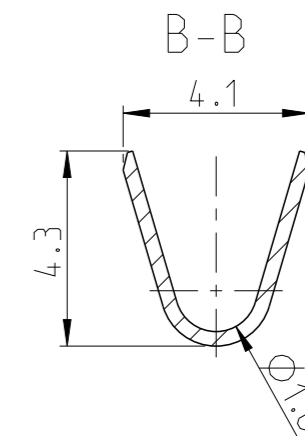
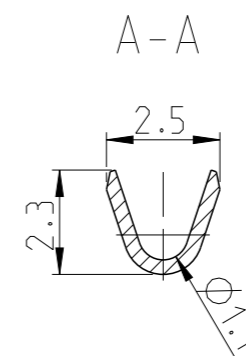
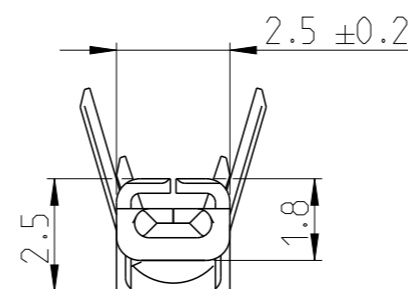
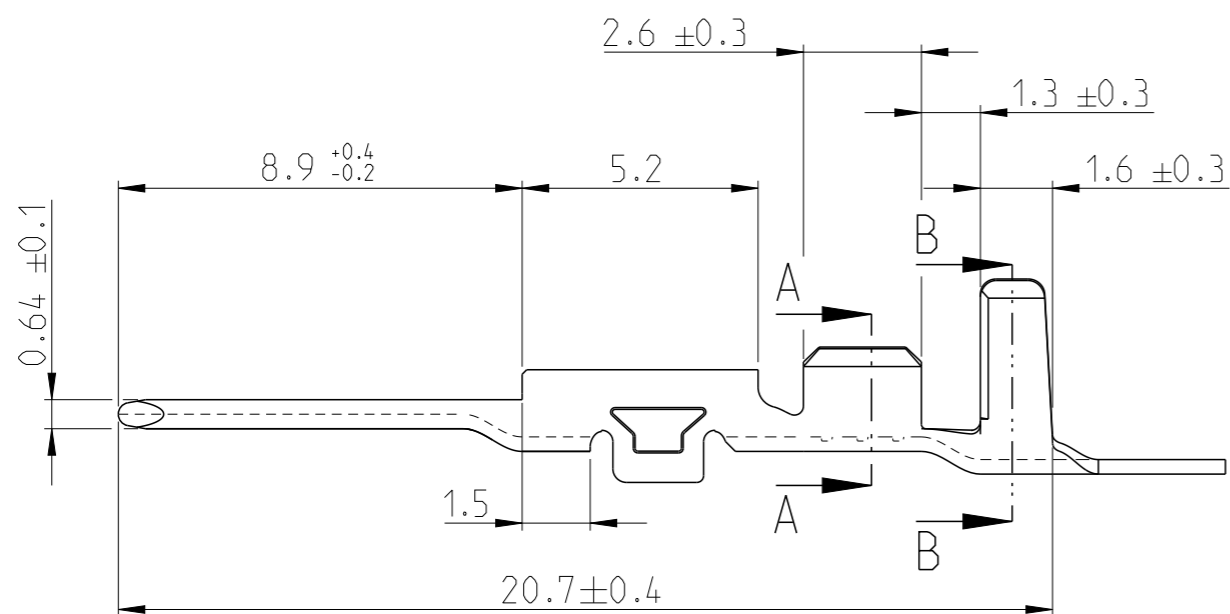


REVISIONS

P	LTR	DESCRIPTION	DATE	DWN	APVD
A2		RELEASED FOR PRODUCTION, 00-0162-99	02-06-99	G.S	-
A3		ECR-09-006304	18-03-2009	M.G	-
A4		REDRAWN TO CREO	12APR2017	VH	JP



1 ITEM IS SUPPLIED REELED ON CARTON REEL WITH STRIP PITCH=11.9±0.2
 STATO DI FORNITURA: AVVOLTI SU BOBINA CON PASSO TRA TERMINALI DI 11.9±0.2

WIRE RANGE:	INSULATION RANGE:
∅0.35-0.5 mm ²	∅1.4-1.7 mm

CUSTOMER DRAWING FOR REFERENCE ONLY

THIS DRAWING IS A CONTROLLED DOCUMENT.

DWN P.SANTANGELO 28JAN98

CHK C.BERTINI 28JAN98

APVD -

PRODUCT SPEC 108-20175

APPLICATION SPEC 114-20095

WEIGHT -

CUSTOMER DRAWING

PRE-TIN	BRASS	A	284080-1
FINISH	MATERIAL	REV	PART NO.



NAME MULTILOCK CONN. 070 SRS TAB CTC. SECOND GENERATION

SIZE A3 CAGE CODE - DRAWING NO C=284080 RESTRICTED TO -

SCALE 5:1 SHEET 1 OF 1 REV A4

DIMENSIONS:	TOLERANCES UNLESS OTHERWISE SPECIFIED:
mm	
	0 PLC ±
	1 PLC ±
	2 PLC ± ±0.3
	3 PLC ±
	4 PLC ±
	ANGLES ±2°
MATERIAL	FINISH
SEE TABLE	SEE TABLE