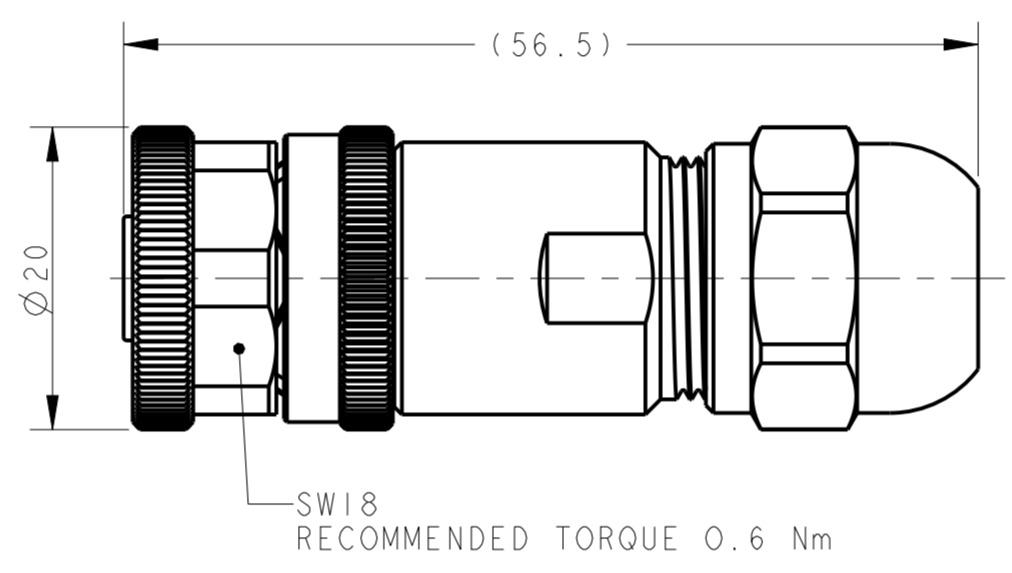
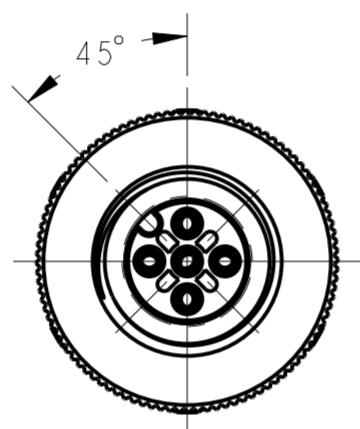


THIS DRAWING IS UNPUBLISHED. RELEASED FOR PUBLICATION 20
 © COPYRIGHT 20 BY - ALL RIGHTS RESERVED.

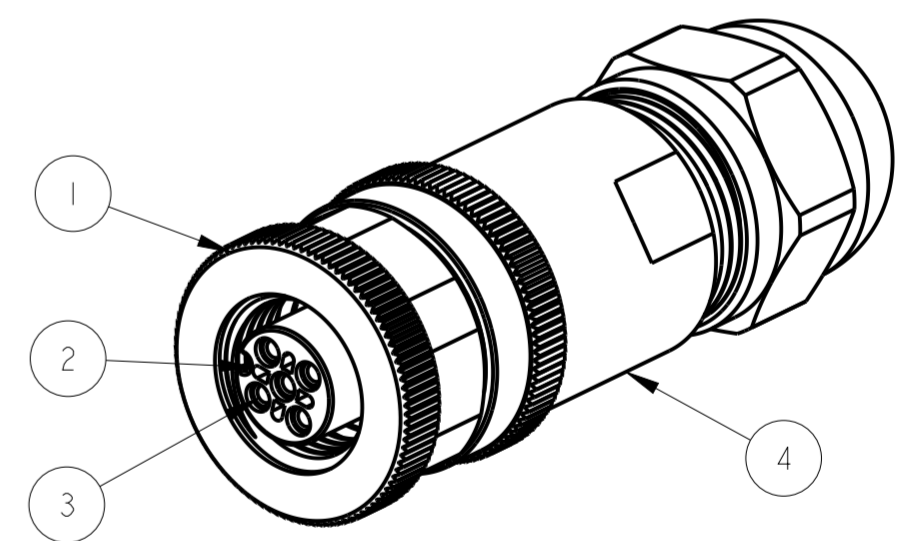
REVISIONS				
P	LTR	DESCRIPTION	DATE	APVD
A		INITIAL RELEASE	08JUN2021	BP CW

TECHNICAL DATA	T411001X02X-000	T411001X03X-000	T411001X04X-000	T411001X05X-000	T411001208X-000
RATED VOLTAGE	250V	250V	250V	60V	30V
RATED CURRENT	4A	4A	4A	4A	2A
POLLUTION DEGREE	3	3	3	3	3
OVERVOLTAGE CATEGORY	II	II	II	II	II
MATERIAL GROUP	II	II	II	II	II
INSULATION RESISTANCE	>100MΩ	>100MΩ	>100MΩ	>100MΩ	>100MΩ
DEGREE OF PROTECTION	IP67	IP67	IP67	IP67	IP67
OPERATION TEMPERATURE	-40~85°C	-40~85°C	-40~85°C	-40~85°C	-40~85°C

- NOTE:
- MATERIAL:
 ITEM NO.1:NUT -BRASS
 ITEM NO.2:HOUSING -PA
 ITEM NO.3:CONTACT -BRONZE
 ITEM NO.4: HOUSING BODY: BRASS
 - CONTACT FINISH:
 GOLD OVER NICKEL OR SILVER OVER NICKEL
 - CABLE WIRES:
 18AWG/0.75mm² Max. FOR 2-5 PINS
 20AWG/0.50mm² Max. FOR 8 PINS
 - ALLDIMENSIONS ARE FOR NOMINAL REFERENCE ONLY UNLESS OTHERWISE STATED
 - PACKAGEING: 1PIECE IN A BAG
 - PN INFORMATION



- T411001XXXX-000
- CONTACT FINISH:
 1: GOLD OVER NICKEL
 2: SILVER OVER NICKEL
 - NUMBERS OF PINS:
 02: 2 PINS
 03: 3PINS
 04: 4 PINS
 05: 5PINS
 08: 8 PINS
 - CABLE OUTLET:
 1: PG7(CABLE FEED: 4-6mm)
 2: PG9(CABLE FEED: 6-8mm)



PIN ARRANGEMENT A-CODE		
T411001X02X-000	T411001X03X-000	T411001X04X-000

M12-FS-4CON-PG7-SHU	T4110011041-000	ISET310225R0000
M12-FS-5CON-PG7-SHU	T4110011051-000	ISET310227R0000
M12-FS-4CON-PG9-SHU	T4110012041-000	ISET310235R0000
M12-FS-5CON-PG9-SHU	T4110012051-000	ISET310237R0000
M12-FS-8CON-PG9-SHU	T4110012081-000	ISET310239R0000
DESCRIPTION	TE PN	ENTRELEC PN

THIS DRAWING IS A CONTROLLED DOCUMENT.		DWN 08JUN2021 BLAZE PENG									
DIMENSIONS: mm		CHK 08JUN2021 KEVIN HUANG			NAME						
TOLERANCES UNLESS OTHERWISE SPECIFIED:		APVD 08JUN2021 CHRIS WANG			PRODUCT SPEC						
0 PLC ± 1 PLC ±0.25 2 PLC ±0.15 3 PLC ± 4 PLC ± ANGLES ± FINISH -		APPLICATION SPEC			108-106140						
MATERIAL	TBD	WEIGHT	-	SIZE	A2	CAGE CODE	-	DRAWING NO	G-ISET311F02R0000	RESTRICTED TO	
CUSTOMER DRAWING		SCALE		1:1	SHEET		OF	REV	A		