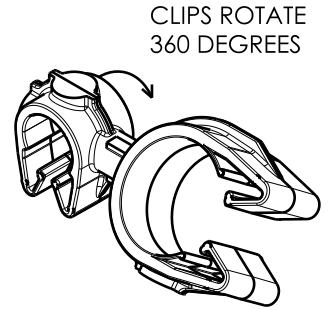
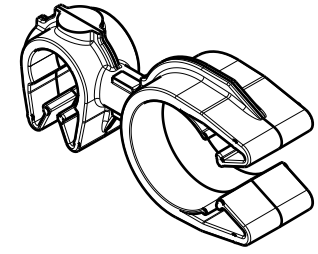
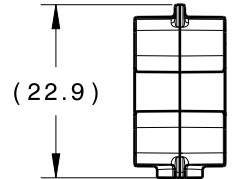
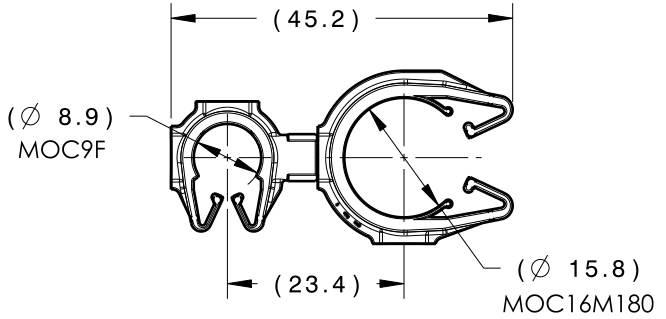
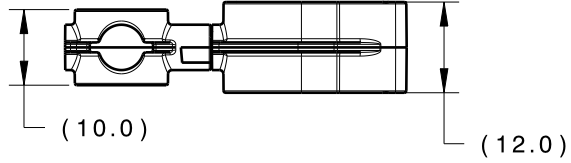


Revision Level			Revision Record	Changed	Date	Approved	Date
Drawing	State	Part					
00.1	Design Release	-	SEE ECN# 014773	TAT	11/30/2018	EJH	11/30/2018



ISOMETRIC VIEW ROTATED

TYPE	MOC9F	MOC16M180
HARNESS	8.5MM - 10.0MM	14.0MM - 17.0MM
HOSE	8.0MM - 10.0MM	14.0MM - 17.0MM
HARD PIPE/TUBE	9.0MM - 10.0MM	15.9MM - 18.3MM

*RECOMMENDED SIZES MAY DIFFER DEPENDING ON THE APPLICATION , PRODUCT REQUIREMENTS AND MATERIALS USED

**PATENT PENDING 29/582,271

GLOBAL PART DESCRIPTION	MOC9F			MOC16M180**		
	DRAWING	MATERIAL	COLOR	DRAWING	MATERIAL	COLOR
MOC9FMOC16M180-PA66HIRHSUV-BK	16-0316-000-CSU	PA66HIRHSUV	BLACK	16-0321-000-CSU	PA66HIRHSUV	BLACK

Material SEE CHART COLOR: SEE CHART	Units	millimeters	The copyright of this drawing is reserved by HellermannTyton. It is issued on condition that it is not reproduced, copied or disclosed to a third party, either wholly or in part, without the consent of HellermannTyton.	Drawn	CJR	8/28/18	Article/Type-No	MOC9FMOC16M180		Scale	1:1
	Tolerance defined on each dimension	Approved		TAT	8/31/18	Title		9MM MOC COUPLED TO A 16MM MOC M180		Project Number	16-0330
		 North America Email: corp@htamericas.com Web: www.hellermann.tyton.com			Drawing-No		PRODUCTION : Phase		Format	AH	
							16-0330-257-CSU		Sheet	1/1	