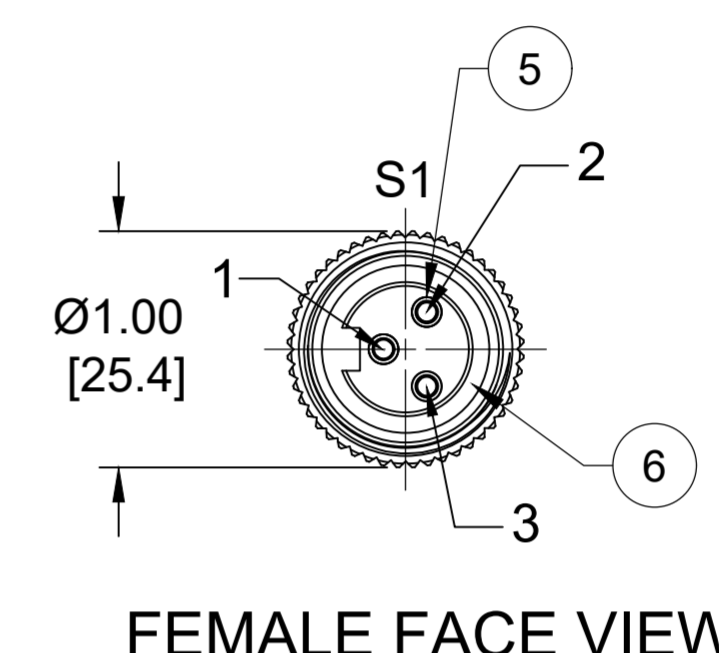
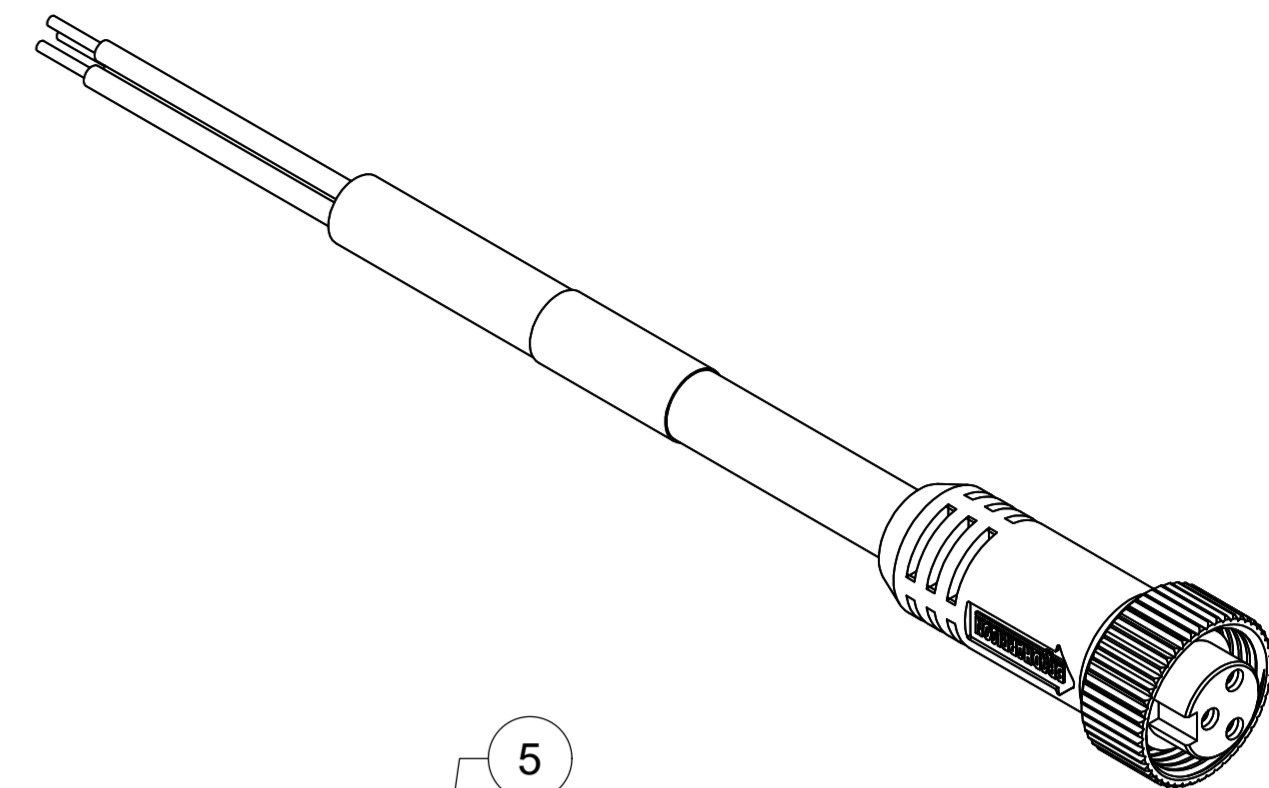
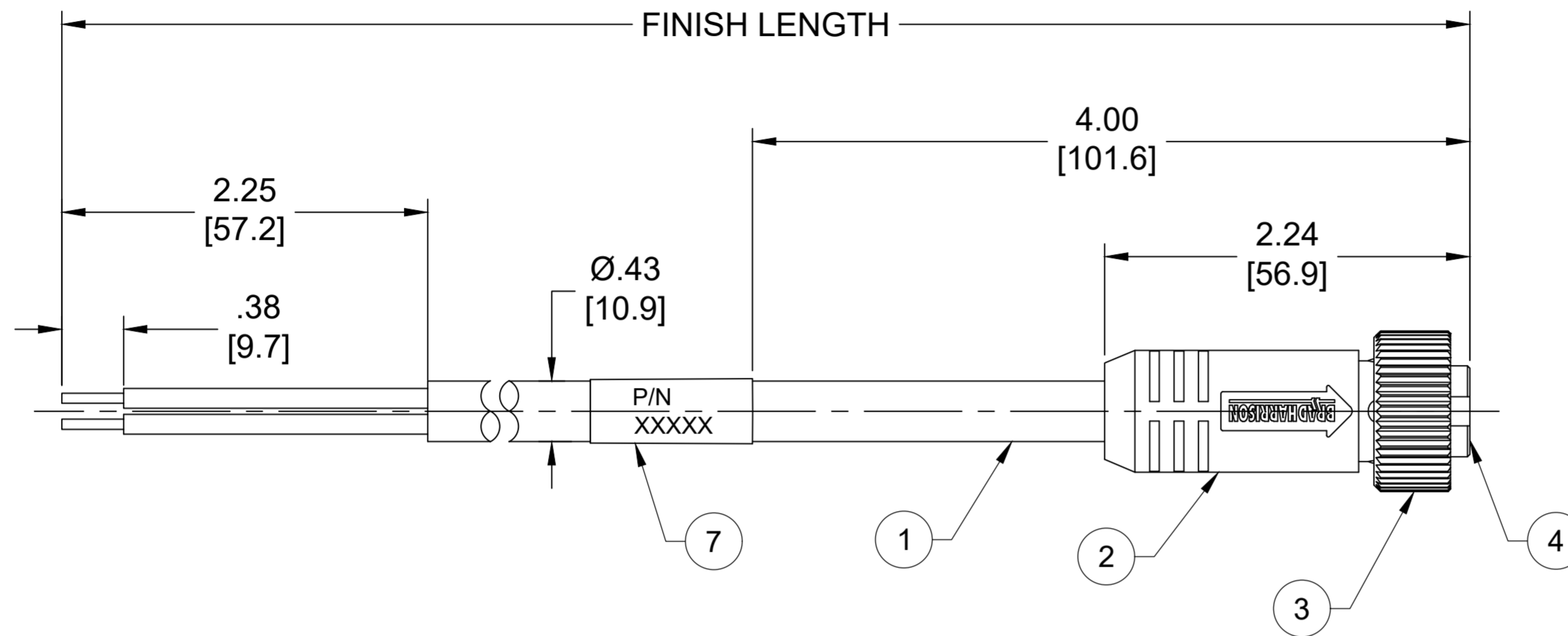


PART NO.	ENGINEERING NO.	FINISHED LENGTH
1300060374	103000C01F030	3FT [0.9M]
1300060380	103000C01F120	12FT [3.7M]
1300060386	103000C01F300	30FT [9.1M]



NOTES:

- MATERIAL: AS NOTED
- FINISH: AS NOTED
- ELECTRICAL:  
VOLTAGE : 500V PER IEC 60664  
600V PER UL 2238  
CURRENT: 13A
- TEMP RATING: -20° TO +90°C
- PROTECTION: IP67 (WHEN MATED)
- COUPLING THREAD: 7/8"-16UN
- CSA CERTIFIED FILE: LR6837
- ALL DIMENSIONS ARE FOR REFERENCE UNLESS TOLERANCED OR NOTED OTHERWISE

S1	
GREEN-GND	1
RED WITH BLACK	2
RED WITH WHITE	3

WIRING DIAGRAM

PART NUMBER LEGEND

103000C01F030

CABLE LENGTH  
F050 = 5 FEET  
F100 = 10 FEET  
F500 = 50 FEET

CABLE LENGTH TOLERANCES	
<.3M [1FT]:	+19mm-0 [ +.75in-0]
.3 - .9M [1 - 3FT]:	+44.5mm-0 [+1.75in-0]
.9 - 1.8M [3 - 6FT]:	+55.6mm-0 [+2.19in-0]
1.8 - 3.7M [6 - 12FT]:	+88.9mm-0 [+3.50in-0]
3.7 - 7.3M [12 - 24FT]:	+165.1mm-0 [+6.50in-0]
7.3-14.6M [24 - 48FT]:	+317.5mm-0 [+12.50in-0]
14.6 - 30.5M [48-100FT]:	+622.3mm-0 [+24.50in-0]
OVER 30M [100FT]	+2% OF FINISHED LENGTH

ITEM	COMPONENT	MATERIAL	FINISH
7	WRAP LABEL	VINYL	BLACK/YELLOW
6	FRICITION RING	NYLON	WHITE
5	CONTACT SOCKET	COPPER ALLOY	GOLD OVER NICKEL
4	INSERT	TPE	YELLOW
3	COUPLING NUT	ZINC DIE CAST	BLACK-E-COAT
2	OVERMOLD	TPE	YELLOW
1	CABLE, 16 AWG	RUBBER	YELLOW

FUNCTIONAL SYMBOLS FA=0 FC=0 FP=0	THIS DRAWING CONTAINS INFORMATION THAT IS PROPRIETARY TO MOLEX ELECTRONIC TECHNOLOGIES, LLC AND SHOULD NOT BE USED WITHOUT WRITTEN PERMISSION		CURRENT REV DESC: ITEM# 2 & 4 WERE PVC. ITEM #7 WAS PLASTIC FILM. ADDED ITEM #6, IEC VOLTAGE, PN LEGEND & TOL CHART. MODIFIED PN CHART. REMOVED UL FROM NOTES	
	DIMENSION UNITS <b>INCH/MM</b>	SCALE <b>NTS</b>	EC NO: 702709	
GENERAL TOLERANCES (UNLESS SPECIFIED)		DRWN: ABENJAMINLW 2021/05/20		
4 PLACES ±----		CHK'D: RSTONE 2022/04/11		
3 PLACES ±----		APPR: BWOODMAN 2022/04/16		
2 PLACES ±----		INITIAL REVISION:		
1 PLACE ±----		DRWN: BWOODMAN 2009/12/28		
0 PLACES ±----		APPR: JFMURPHY 2010/01/05		
ANGULAR TOL ± ---- °		THIRD ANGLE PROJECTION	DRAWING SERIES	
DRAFT WHERE APPLICABLE MUST REMAIN WITHIN DIMENSIONS		C-SIZE	130006	
		MATERIAL NUMBER	CUSTOMER	
		SEE CHART	GENERAL MARKET	
		DOCUMENT NUMBER	DOC TYPE/DOC PART/REVISION	
		SD-130006-023	PSD 001 B	
		SHEET NUMBER	1 OF 1	