

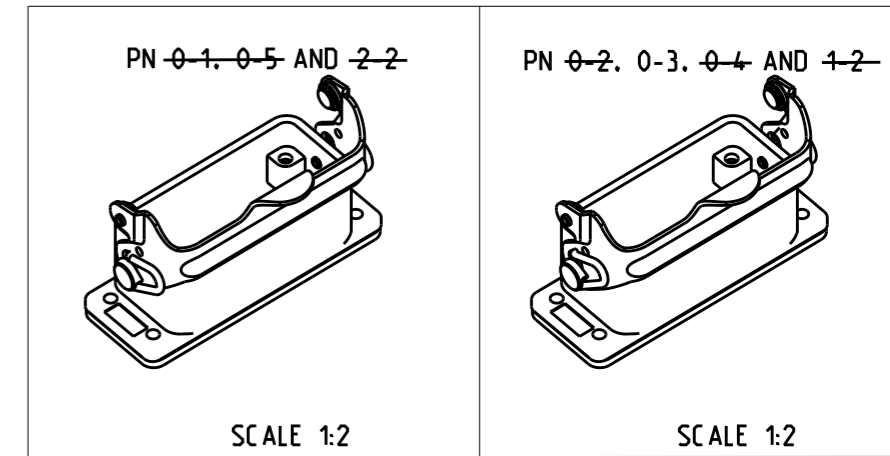
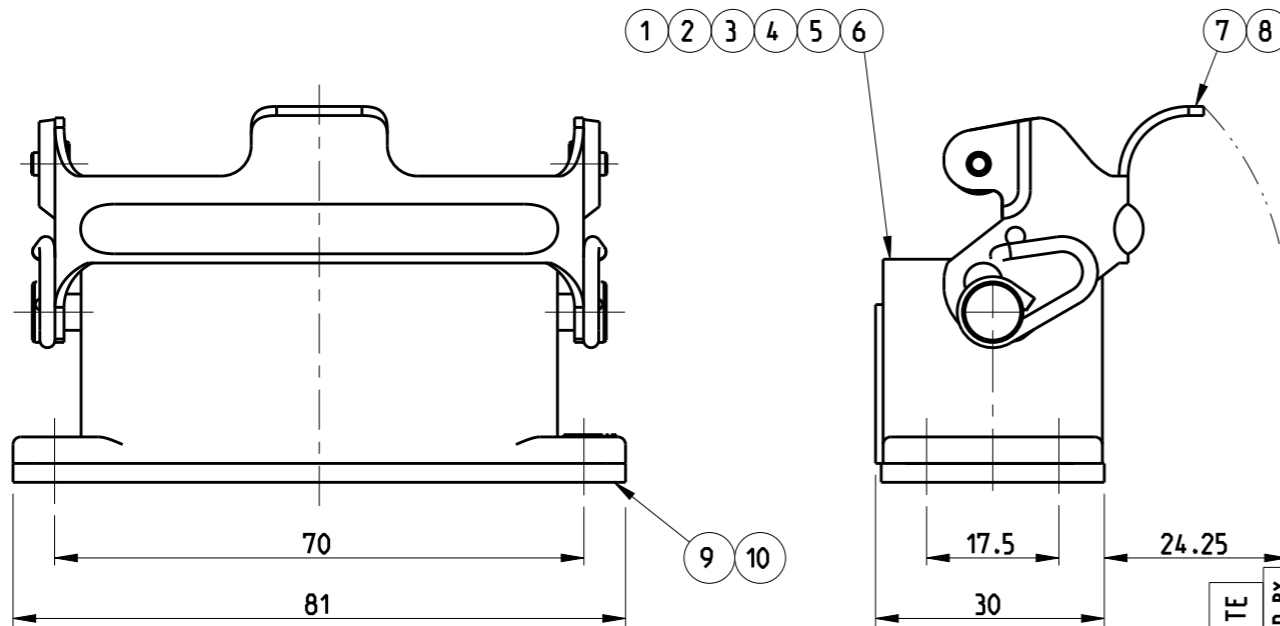
THIS DRAWING IS UNPUBLISHED. RELEASED FOR PUBLICATION 2000
 © COPYRIGHT 2000 BY - ALL RIGHTS RESERVED.

REVISIONS

P	LTR	DESCRIPTION	DATE	DWN	APVD
	A10	REVISED PER ECR-17-014412	03APR2018	NG	MKO

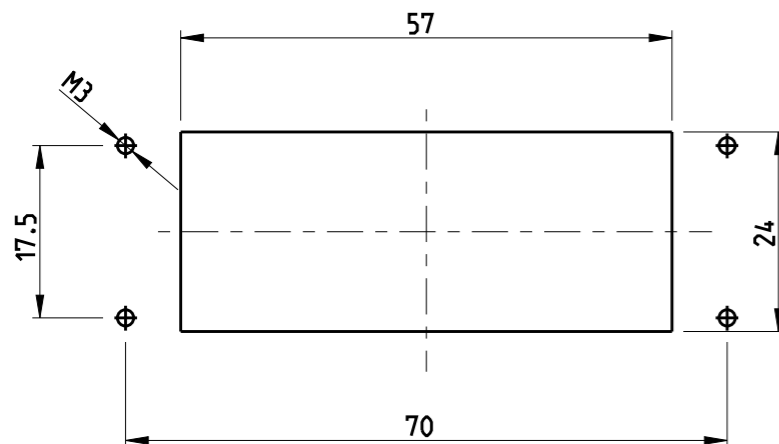
NOTES:

- 1 MATERIAL: SEE TABLE
- 2 SURFACE: SEE TABLE
- 3 VARNISH ON THE INSIDE NOT NECESSARY
- 4 Chromital TCP - PASSIVATION
- 5 OBSOLETE PARTS: OBSOLETE CIS STREAMLINING PER D.RENAUD/D.SINISI



PN 0-1 AS SHOWN

PANEL-CUTOUT



QTY	DESCRIPTION	MATERIAL	SURFACE	COLOR	ITEM NO	REMARKS
1	FLANGE MOUNTED SEAL	NEOPRENE	CONDUCTIVE	BLACK	10	
1	FLANGE MOUNTED SEAL	NEOPRENE		BLACK	9	
1	LB- SIDE CLIP	STAINLESS STEEL			8	
1	LB- SIDE CLIP	STEEL	ZINC PLATED	BLUE	7	
1	SURFACE MOUNTED HOUSING, BOTTOM ENTRY	ALUMINIUM	HARD COAT	BLACK	6	∅3.7mm
1	SURFACE MOUNTED HOUSING, BOTTOM ENTRY	ALUMINIUM	4		5	
1	SURFACE MOUNTED HOUSING, BOTTOM ENTRY	ALUMINIUM	HARD COAT	AL COLOR	4	
1	SURFACE MOUNTED HOUSING, BOTTOM ENTRY	ALUMINIUM		WITHOUT VARNISH	3	
1	SURFACE MOUNTED HOUSING, BOTTOM ENTRY	ALUMINIUM	ALUMINIUM OXIDE	BLACK RAL 9005	2	
1	SURFACE MOUNTED HOUSING, BOTTOM ENTRY	ALUMINIUM		GREY RAL 7001	1	
2-2						
1-2						
0-5						
0-4						
0-3						
0-2						
0-1						
ORDERING TEXT						
HA-K.10.AG-LB.S0						
HA.10.AG-LB.S0						
HA.10.AG-LB.KM						
HA-EMV.10.AG-LB						
HA-K.10.AG-LB						
HA.10.AG-LB						
HA-K.10.AG-LB						

THIS DRAWING IS A CONTROLLED DOCUMENT.

DIMENSIONS:	TOLERANCES UNLESS OTHERWISE SPECIFIED:
mm	0 PLC ±
	1 PLC ±
	2 PLC ±
	3 PLC ±
	4 PLC ±
	ANGLES ±
MATERIAL	FINISH
1	2

DWN	4/8/1999
SCHNEIDER	
CHK	4/8/1999
SCHWEIGER	
APVD	4/8/1999
T.SCHNURPFEL	
PRODUCT SPEC	108-74009
APPLICATION SPEC	114-74004
WEIGHT	-
CUSTOMER DRAWING	

TE TE Connectivity

NAME SURFACE MOUNTED HOUSING, BOTTOM ENTRY HA10.AG-LB

SIZE	CAGE CODE	DRAWING NO	RESTRICTED TO
A3	00779	C-1102121	

SCALE 1:1 SHEET 1 OF 1 REV A10