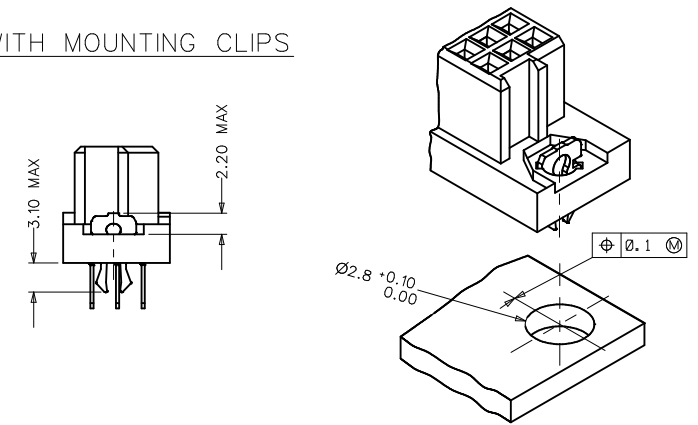
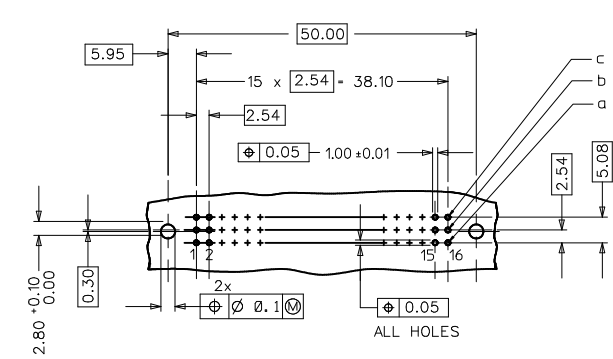


WITH MOUNTING CLIPS



RECOMMENDED PCB LAYOUT
COMPONENT SIDE



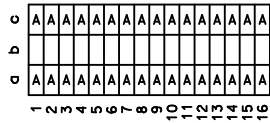
- NOTES:
- 1) MATERIALS: THERMOPLASTIC POLYESTER, GLASS FILLED, UL94V-0, COLOUR: PEBBLE GREY RAL 7032
TERMINAL - PHOSPHOR BRONZE
MOUNTING CLIP: STEEL
 - 2) FINISH: TERMINAL:-
CONTACT AREA:
1. PERFORMANCE LEVEL 1: SELECTIVE GOLD (Au), THICKNESS = 1.1 MICROMETER OVER NICKEL, THICKNESS = 1.5 MICROMETER
2. PERFORMANCE LEVEL 2: SELECTIVE GOLD (Au), THICKNESS = 0.6 MICROMETER OVER NICKEL, THICKNESS = 1.5 MICROMETER
3. PERFORMANCE LEVEL 3: SELECTIVE GOLD (Au), THICKNESS = 0.3 MICROMETER OVER NICKEL, THICKNESS = 1.5 MICROMETER
TERMINATION AREA:
SELECTIVE TIN, THICKNESS = 5 MICROMETER OVER NICKEL, THICKNESS = 1.5 MICROMETER OVERALL
 - 3) MOUNTING CLIP:-
TIN (Sn), THICKNESS = 5-10 MICROMETER, OVER NICKEL (Ni), THICKNESS = 2.5 MICROMETER
 - 4) FOR NON MOUNTING CLIP OPTION, CONNECTOR TO BE SECURED WITH RIVETS: 2 TUBULAR RIVETS 2.5 x 0.3 ... DIN 7340
SCREWS: 2 CHEESEHEAD SCREWS M2.5 x DIN 84 AND 2 HEXAGONAL NUTS M2.5 DIN 934
 - 5) MATERIAL No, BATCH CODE, UL AND CSA MARKING TO BE PRINTED ON THE CONNECTOR.
 - 6) CUT FACES OF TIP WITHOUT PLATING PERMITTED.
 - 7) PRODUCT SPECIFICATION PS-85042-0001

RoHS COMPLIANT

ENTER DESCRIPTION EC NO: 2070-0293 2009/12/04 DR/WR/KR/KUMAR 2010/01/27 CH/KD/KPRASAD 2010/03/11 APPR/KPRASAD	QUALITY SYMBOLS ▽=0 ▽=0 DESCRIPTION B1	GENERAL TOLERANCES (UNLESS SPECIFIED) mm INCH		DIMENSION STYLE MM ONLY		SCALE 1:1	DESIGN UNITS METRIC	THIRD ANGLE PROJECTION
		4 PLACES ± --- ± ---	DRAWN BY SHANKAR	DATE 2006/04/25	TITLE ASSY DIN41612 C/2 FEMALE 48 POS 1.0MM PCB DIA			
		3 PLACES ± 0.005 ± ---	CHECKED BY SSUDHIR	DATE 2006/04/25	Molex MOLEX INCORPORATED			
		2 PLACES ± 0.1 ± ---	APPROVED BY SSUDHIR	DATE 2006/04/25	DOCUMENT NO. SD-85042-002	SHEET NO. 1 OF 2		
DRAFT WHERE APPLICABLE MUST REMAIN WITHIN DIMENSIONS		SEE SHEET 2		THIS DRAWING CONTAINS INFORMATION THAT IS PROPRIETARY TO MOLEX INCORPORATED AND SHOULD NOT BE USED WITHOUT WRITTEN PERMISSION				

MATERIAL No	MOLEX ENG No	PERF LEVEL	PLATING	CONTACT SEQUENCE/ROW	DIM "L" mm	MOUNTING CLIP	FLUX PROOF
850424294	85042-4294	2	Au+Ni	1.2.3....16 a+b+c	2.9	YES	NO
850429025	85042-9025	2	Au+Ni	1.2.3....16 a+b+c	4.5	YES	NO
850420048	85042-0048	2	Au+Ni	1.2.3....16 a+c	4.5	NO	NO
850420086	85042-0086	2	Au+Ni	1.2.3....16 a+b+c	4.5	NO	NO
850421184	85042-1184	1	Au+Ni	1.2.3....16 a+b+c	2.9	NO	YES
850421330	85042-1330	1	Au+Ni	1.2.3....16 a+b+c	4.5	NO	NO
850424268	85042-4268	2	Au+Ni	1.2.3....16 a+b+c	2.9	NO	NO
850424282	85042-4282	2	Au+Ni	1.2.3....16 a+c	2.9	YES	NO
850426098	85042-6098	3	Au+Ni	1.2.3....16 a+b+c	2.9	NO	NO
850429022	85042-9022	2	Au+Ni	1.2.3....16 a+c	2.9	YES	NO

View on mating side



View on mating side



RoHS COMPLIANT

ENTER DESCRIPTION IEC NO: 2090-0293 2009/12/04 DRAWN BY: DRWINRUKUMAR 2010/01/27 CHKDR PRASAD 2010/03/11 APPR: PRASAD	QUALITY SYMBOLS ▽=0 ▽=0	GENERAL TOLERANCES (UNLESS SPECIFIED)		DIMENSION STYLE MM ONLY		SCALE ---	DESIGN UNITS METRIC	<input checked="" type="checkbox"/> THIRD ANGLE PROJECTION	
		4 PLACES ±--- ±--- 3 PLACES ±--- ±--- 2 PLACES ±--- ±--- 1 PLACE ±--- ±---	mm INCH	DRAWN BY SHANKAR	DATE 2006/04/25	TITLE ASSY DIN41612 C/2 FEMALE 48 POS 1.0MM PCB DIA			
		DRAFT WHERE APPLICABLE MUST REMAIN WITHIN DIMENSIONS		SEE CHART		MOLEX INCORPORATED			
				MATERIAL NO. SD-85042-002		DOCUMENT NO. SD-85042-002			