

MATERIALS AND FINISHES

BODY: BRASS
PLATED TRI-M

CONTACT: PHOSPHOR BRONZE
PLATED SILVER

OUTER CONTACT: PHOSPHOR BRONZE
PLATED TRI-M

INSULATOR: TEFLON

PERFORMANCE REQUIREMENTS:

FREQUENCY RANGE: 0-6GHz
IMPEDANCE: 50 Ω
WITHSTAND VOLTAGE(AC): 1000V @0.5mA
VSWR: ≤1.10(0-3GHz); 1.20(3-6GHz)
PIM3(2x20W): ≤-160dBc@1800MHz
PANEL LEAKAGE: IP68

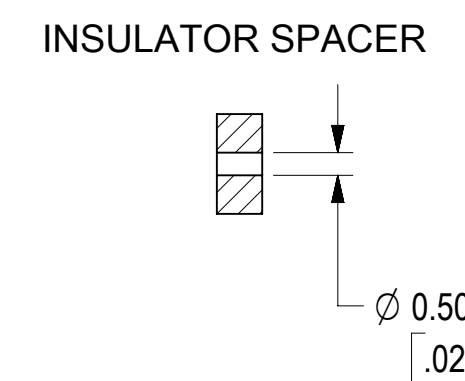
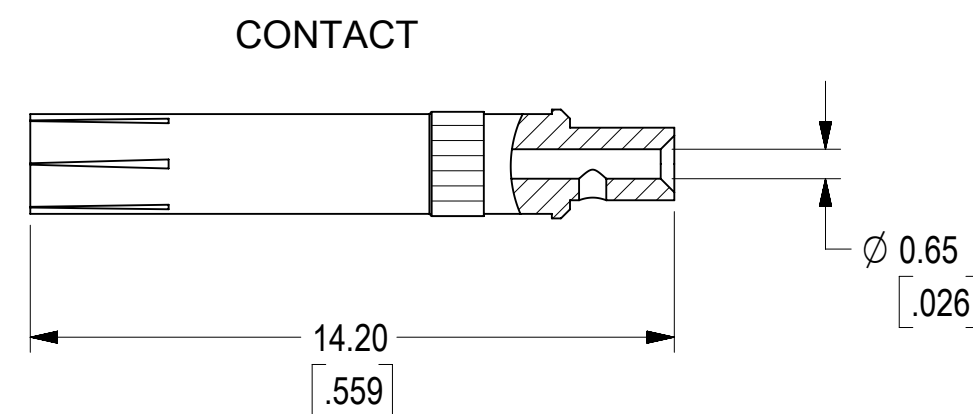
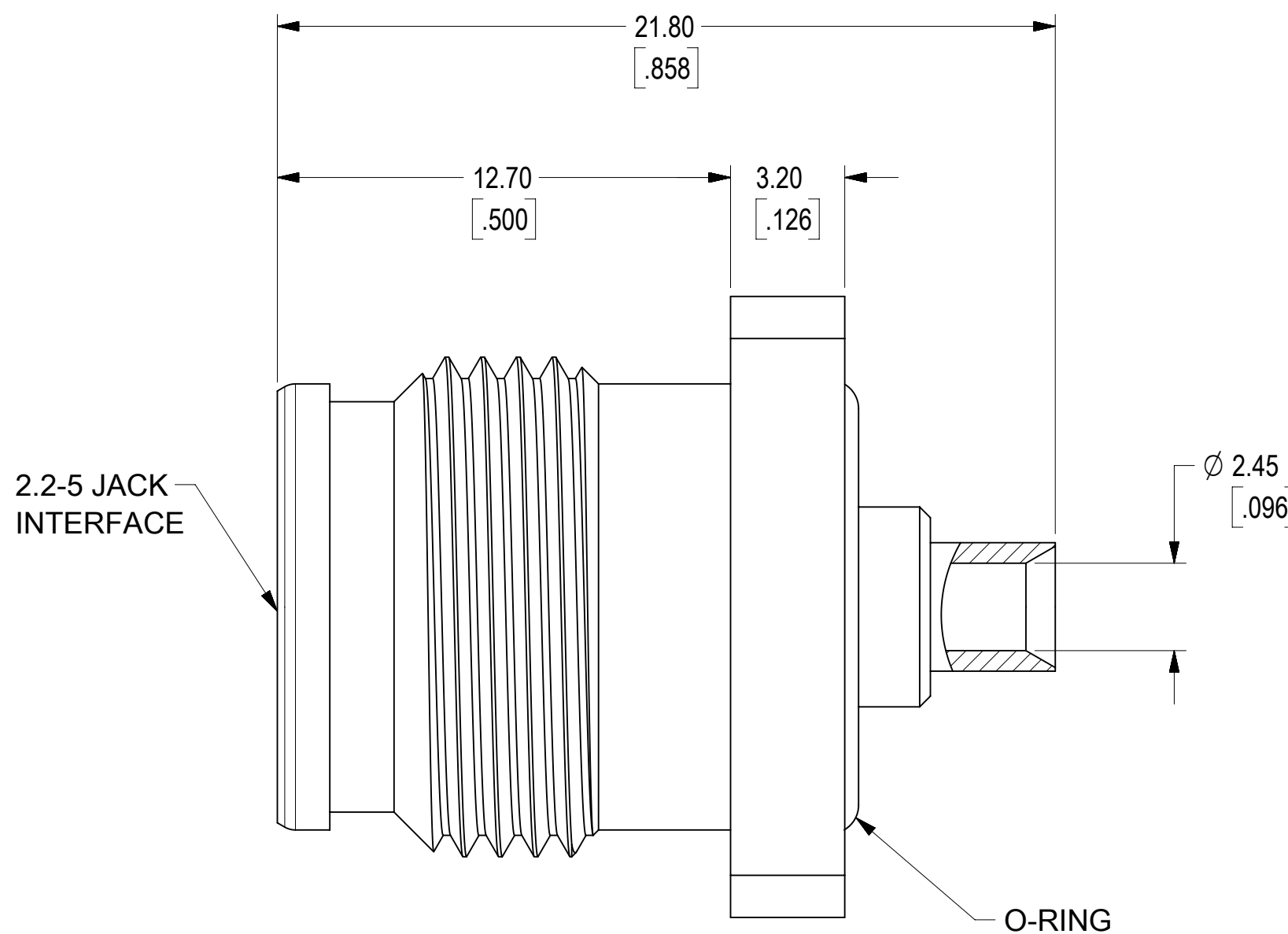
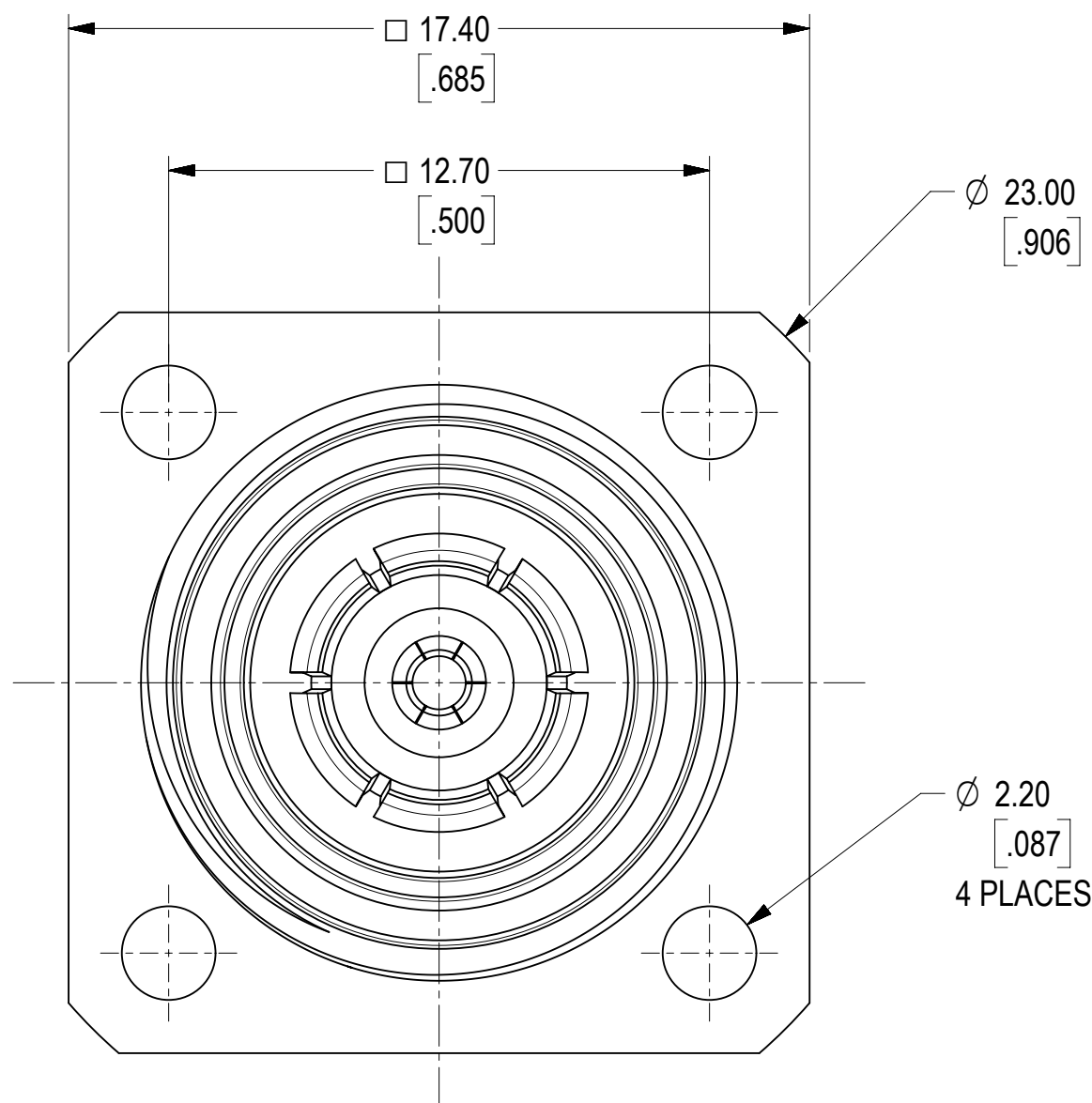
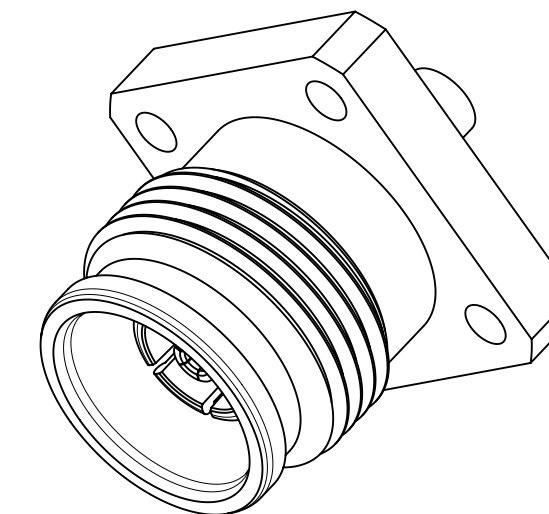


TABLE 2:

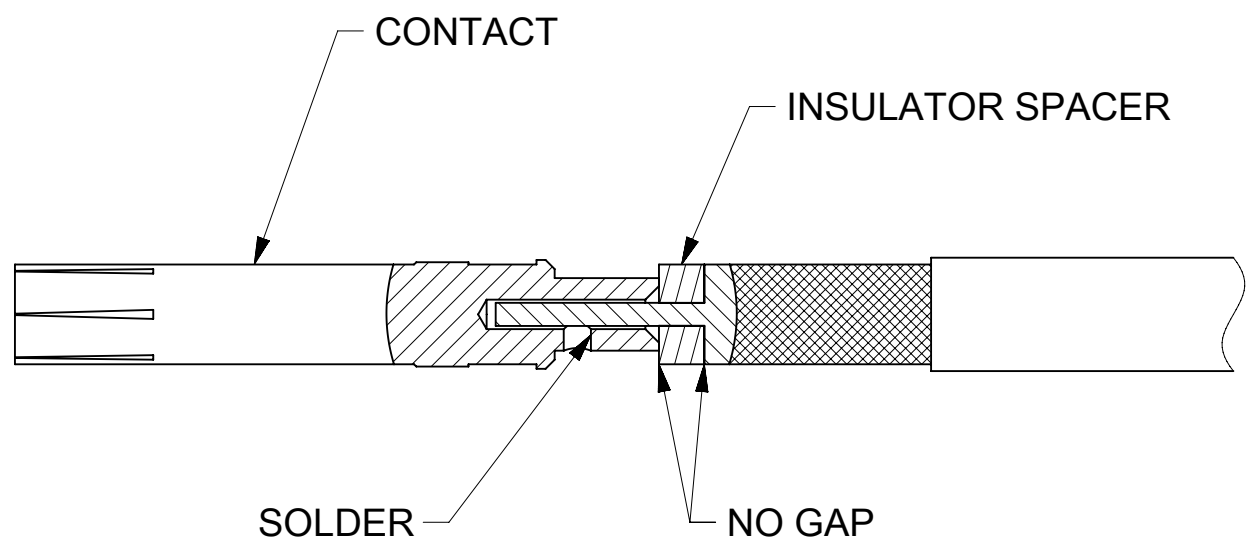
73225-0131	YES	BY TRAY
73225-0130	NO	BLANK
PART NO.	DUST CAP	PACKAGING

TABLE 1:

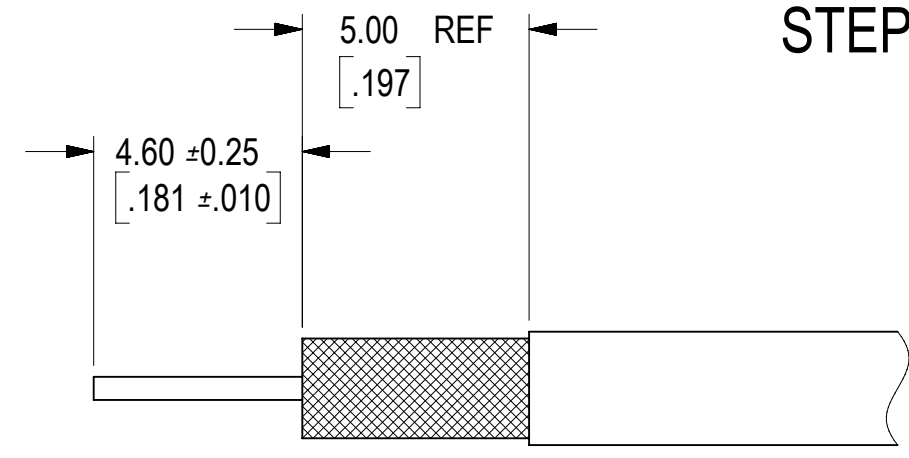
SPECIFICATION	DESCRIPTION
-----	2.2-5 INTERFACE

THIS DRAWING CONTAINS INFORMATION THAT IS PROPRIETARY TO MOLEX ELECTRONIC TECHNOLOGIES, LLC AND SHOULD NOT BE USED WITHOUT WRITTEN PERMISSION									
SYMBOLS DIMENSION UNITS: MM/INCH SCALE: 6:1 GENERAL TOLERANCES (UNLESS SPECIFIED): ANGULAR TOL: ± 2.0° 4 PLACES ± 3 PLACES ± 2 PLACES ± 1 PLACE ± 0 PLACES ± DRAFT WHERE APPLICABLE MUST REMAIN WITHIN DIMENSIONS THIRD ANGLE PROJECTION DRAWING: C-SIZE SERIES: 73225		CURRENT REV DESC: EC NO: 634231 DRWN: YHUANG11 2019/12/26 CHK'D: LCHEN03 2020/03/20 APPR: LCHEN03 2020/03/20 INITIAL REVISION: DRWN: YHUANG11 2019/12/26 APPR: LCHEN03 2020/03/20							
PRODUCT CUSTOMER DRAWING DOCUMENT NUMBER: 732250130 DOC TYPE: PSD DOC PART: 000 REVISION: A MATERIAL NUMBER: SEE TABLE 2 CUSTOMER: GENERAL MARKET SHEET NUMBER: 1 OF 2									

STEP 2

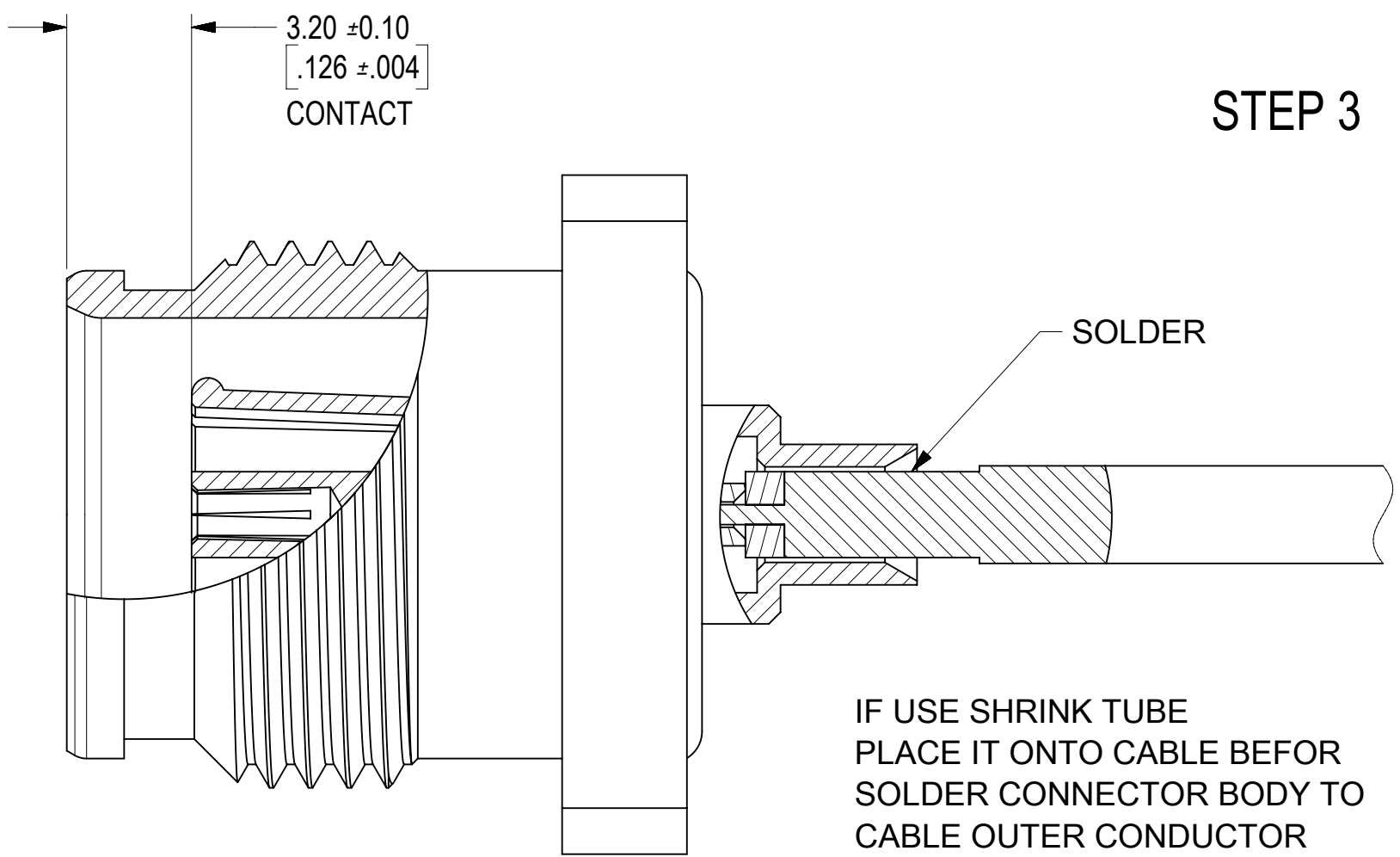


STEP 1



.086/RG405 CABLE
RECOMMENDED STRIPPING DIMENSION

STEP 3



SYMBOLS										THIS DRAWING CONTAINS INFORMATION THAT IS PROPRIETARY TO MOLEX ELECTRONIC TECHNOLOGIES, LLC AND SHOULD NOT BE USED WITHOUT WRITTEN PERMISSION													
DIMENSION UNITS		SCALE		CURRENT REV DESC:																			
MM/INCH		6:1		EC NO: 634231																			
GENERAL TOLERANCES (UNLESS SPECIFIED)				4 PLACES ±				DRWN: YHUANG11				2019/12/26				<div style="text-align: center;">molex</div> 2.2-5 JACK FLANGE FOR .086/RG405 CABLE 50 OHMS, 4 HOLES, SOLDERING, EWR#: 13540-A							
ANGULAR TOL ± 2.0°				3 PLACES ±				CHK'D: LCHEN03				2020/03/20											
INITIAL REVISION:				2 PLACES ±				APPR: LCHEN03				2020/03/20				PRODUCT CUSTOMER DRAWING							
DRWN: YHUANG11				1 PLACE ±				APPR: LCHEN03				2020/03/20				DOCUMENT NUMBER		DOC TYPE		DOC PART		REVISION	
732250130				0 PLACES ±				DRAFT WHERE APPLICABLE MUST REMAIN WITHIN DIMENSIONS				THIRD ANGLE PROJECTION		DRAWING		SERIES		MATERIAL NUMBER		CUSTOMER		SHEET NUMBER	
SEE TABLE 2				C-SIZE				73225				MATERIAL NUMBER		CUSTOMER		SHEET NUMBER		2 OF 2		2 OF 2			