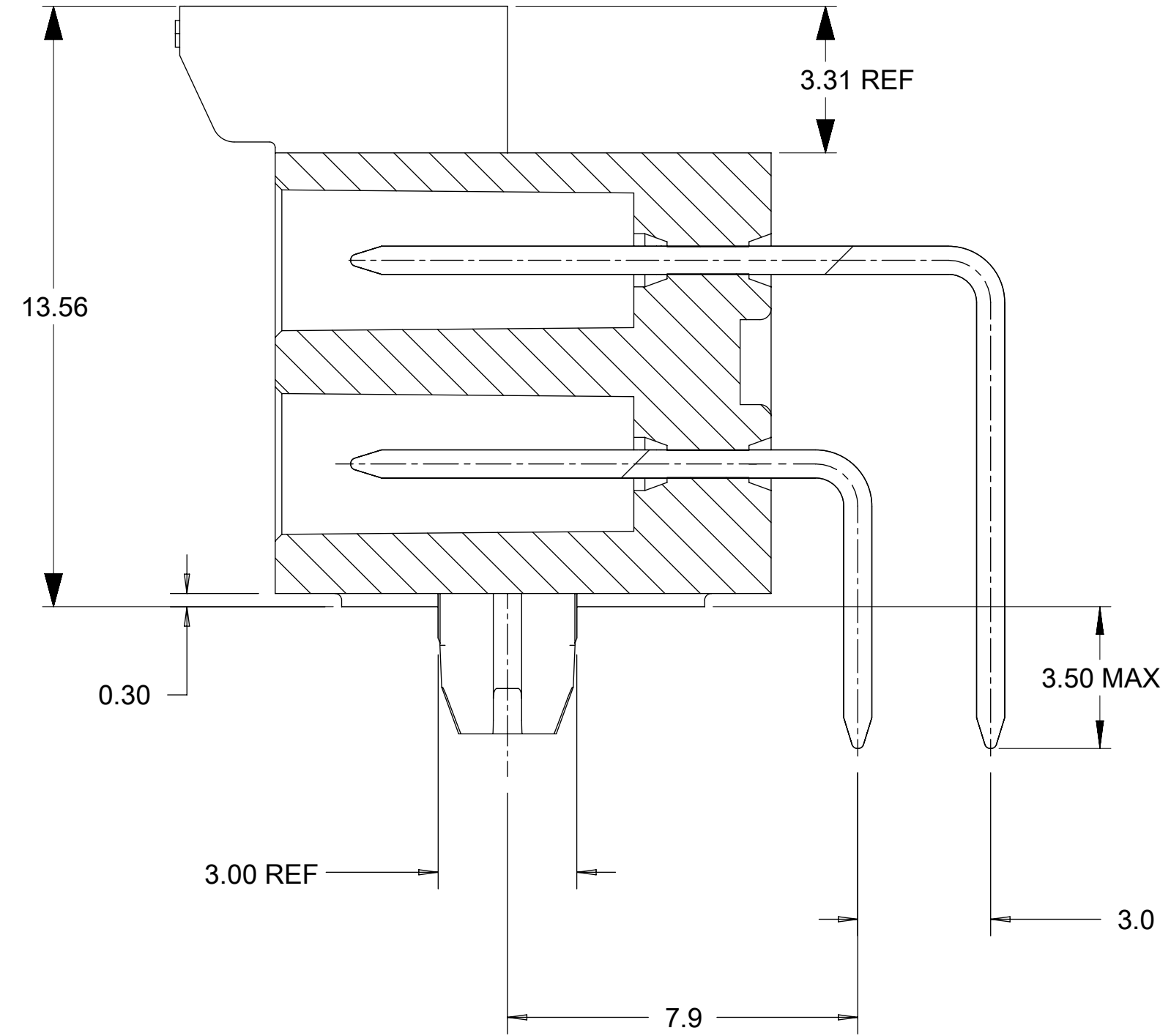
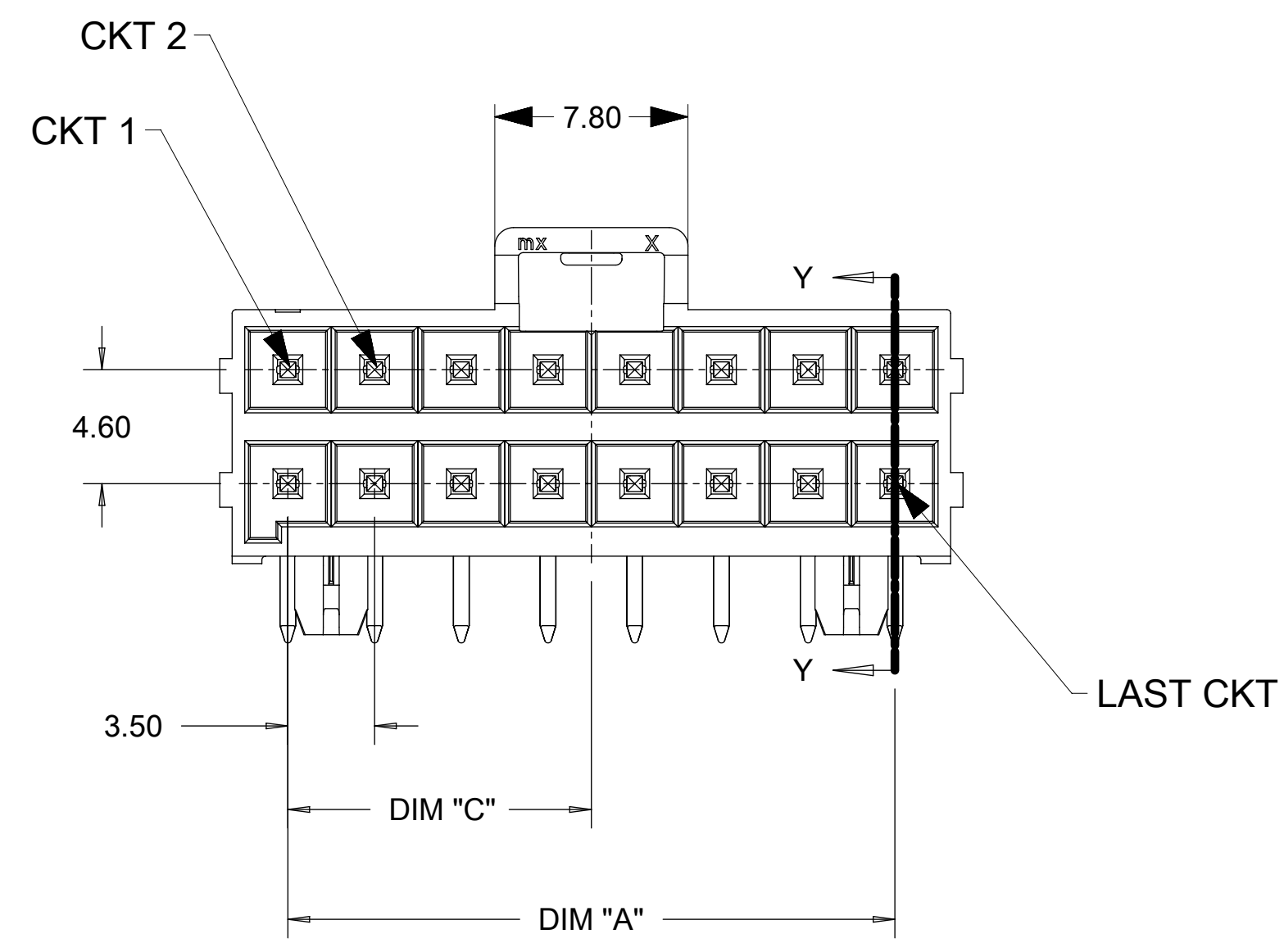
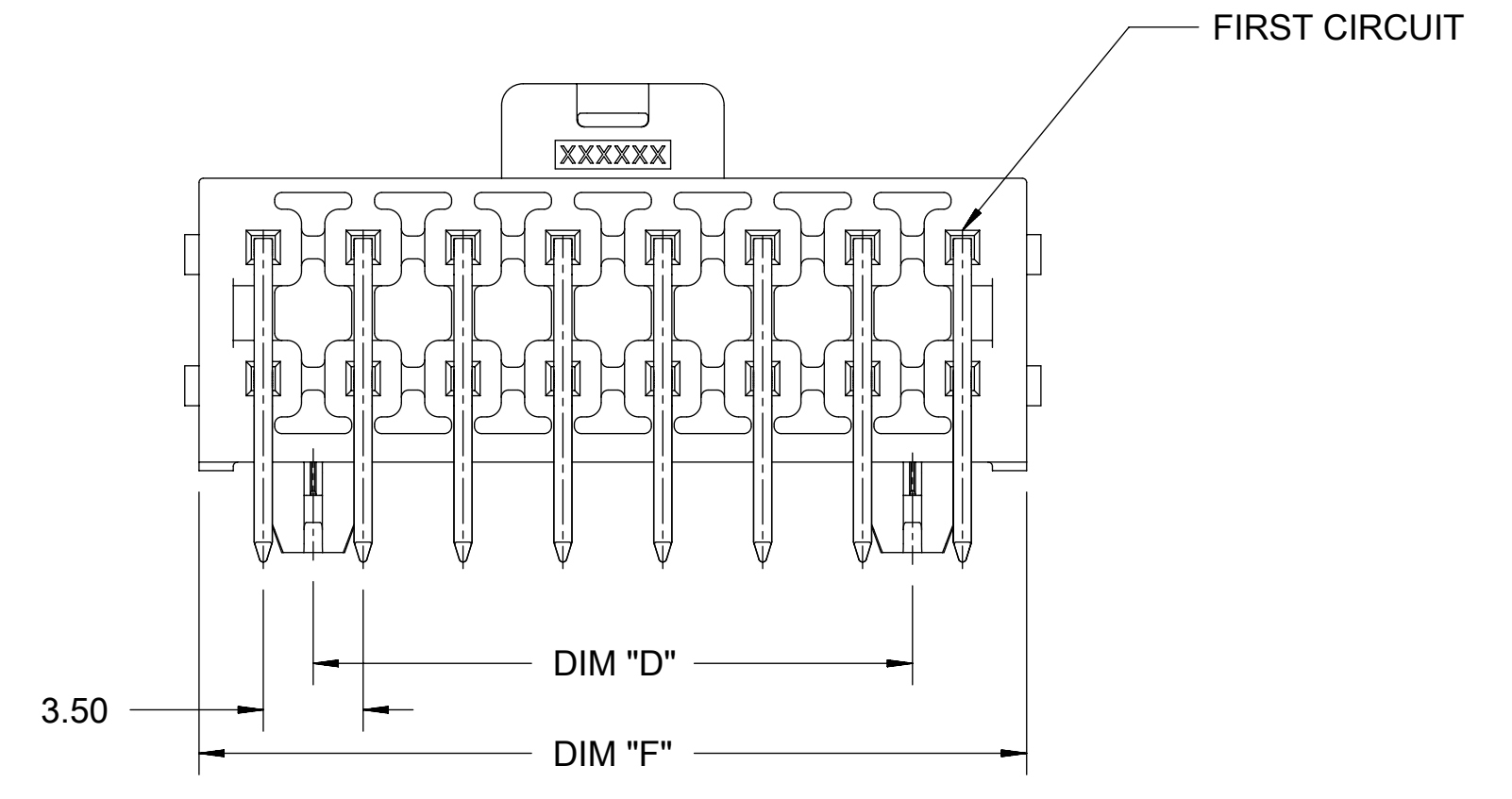


FIRST CIRCUIT MARK  
(NOT SHOWING ON 4  
AND 6 CIRCUITS SERIES)

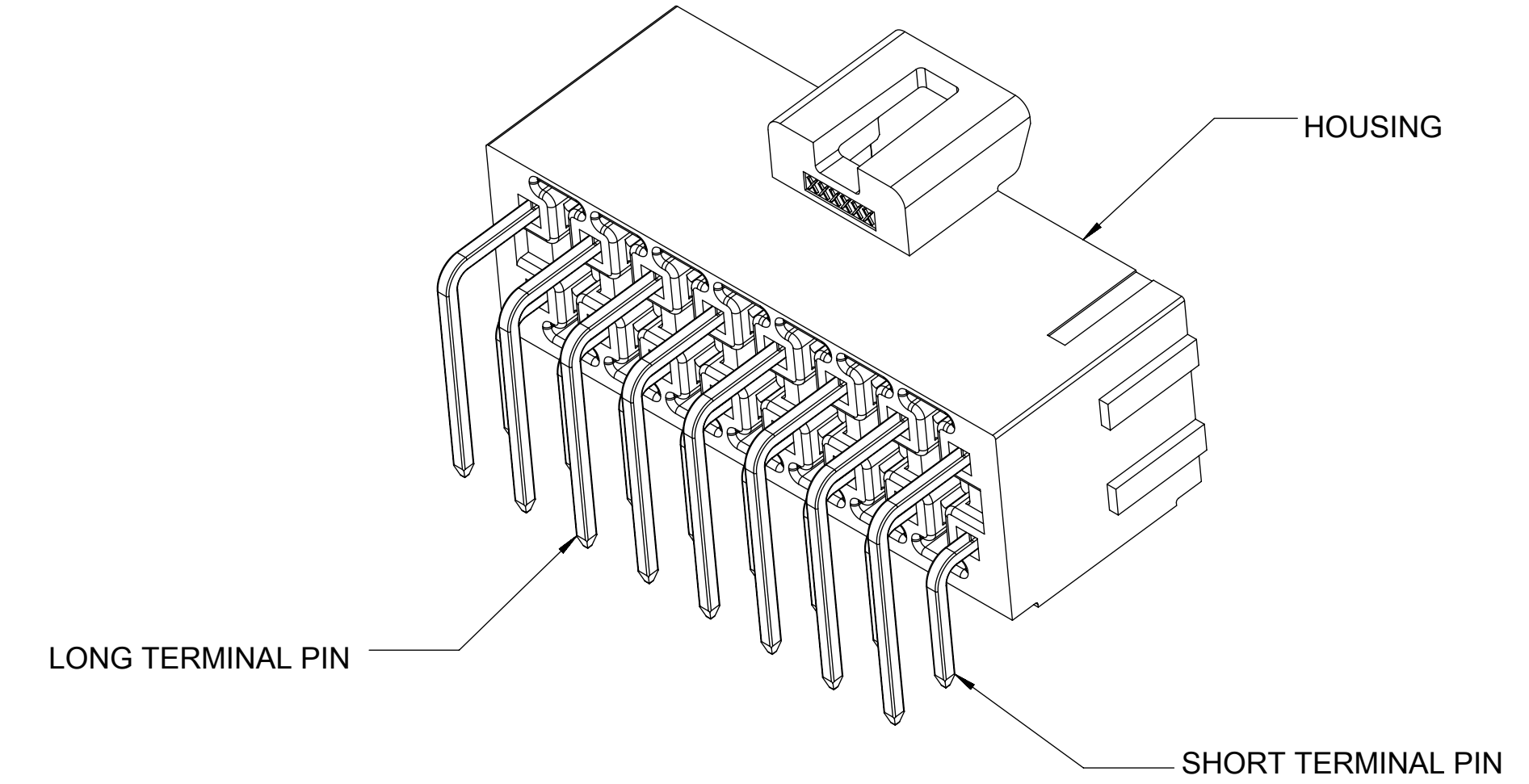
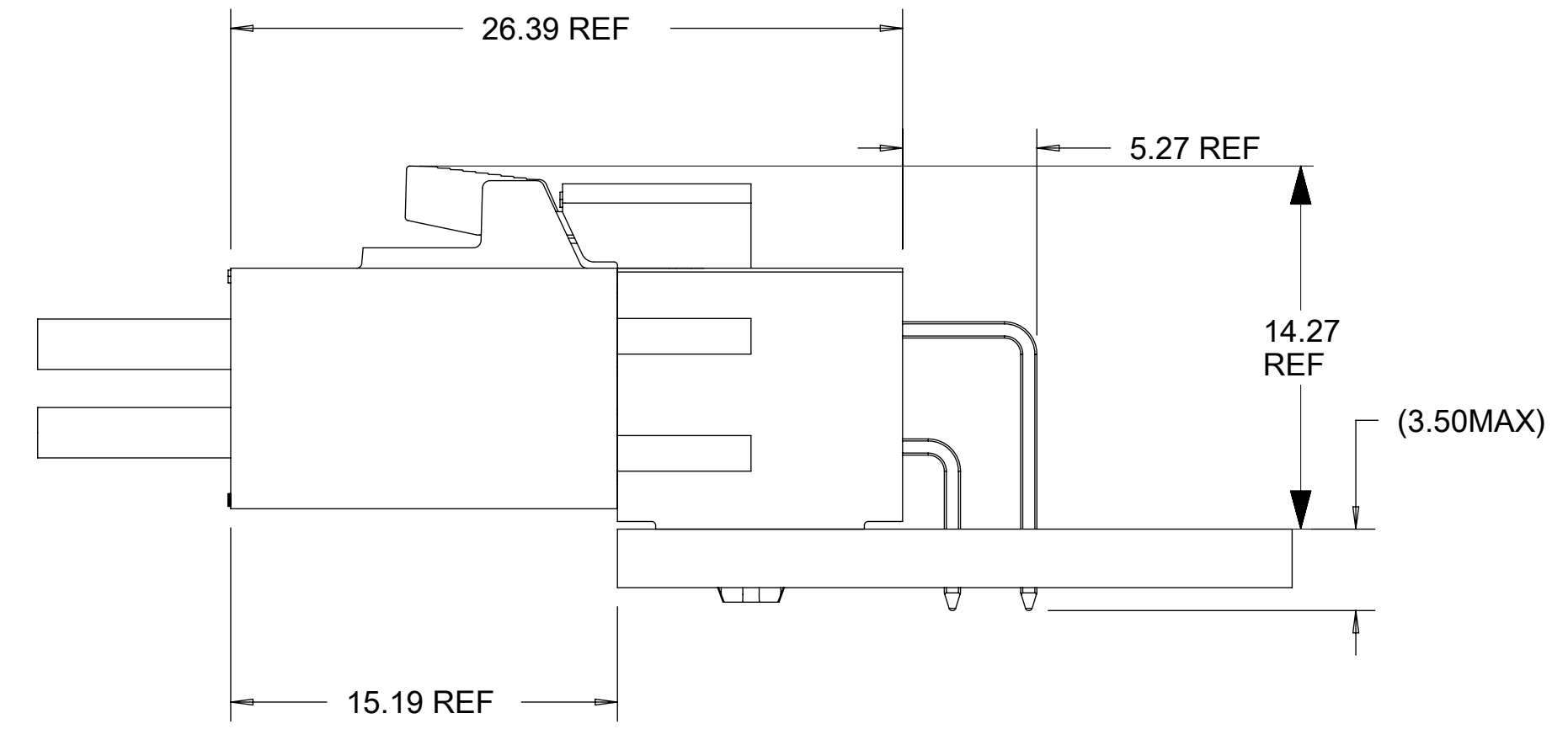


SECTION Y-Y  
SCALE 8:1



NOTES:

- MATERIAL :  
HOUSING  
OPTION 1: LCP BLACK, UL94 V-0  
OPTION 2: LCP NATURAL, UL94 V-0  
TERMINAL: COPPER ALLOY
- PLATING FINISH:  
OPTION 1 - 1.5µm(60µin)-2.5µm(100µin) TIN OVER  
1.25µm(50µin)-2.5µm(100µin) NICKEL OVERALL  
OPTION 2 - 0.35µm(15µin) GOLD CONTACT AREA,  
1.5µm(60µin)-2.5µm(100µin) TIN TAIL AREA OVER  
1.25µm(50µin)-2.5µm(100µin) NICKEL OVERALL  
OPTION 3 - 0.70µm(30µin) GOLD CONTACT AREA,  
1.5µm(60µin)-2.5µm(100µin) TIN TAIL AREA OVER  
1.25µm(50µin)-2.5µm(100µin) NICKEL OVERALL
- PARTS TO BE PACKAGED PER 1723161114-PK.
- PRODUCT SPECIFICATION PS-172323-0001
- PART MATES WITH MOLEX RECEPTACLE HOUSING 172258 AND 172262
- PART CONFORMS TO CLASS "C" REQUIREMENTS OF SPECIFICATION PS-45499-002 WITH 0.13 MM MAXIMUM FLASH ALLOWED IN CORE HOLES AND FRONT SURFACE.
- DISCOLORATION IN THE BANDOLIER AREA OF THE PIN IS INHERENT TO THE PLATING PROCESS AND IS DUE TO THE MASKING EFFECT OF THE CARRIER. THIS DISCOLORATION IS IN A NON-FUNCTIONAL AREA OF THE PIN AND WILL NOT AFFECT THE PERFORMANCE OF THE HEADER ASSEMBLY.
- ASSEMBLY SPECIFICATION: AS-172323-0001.



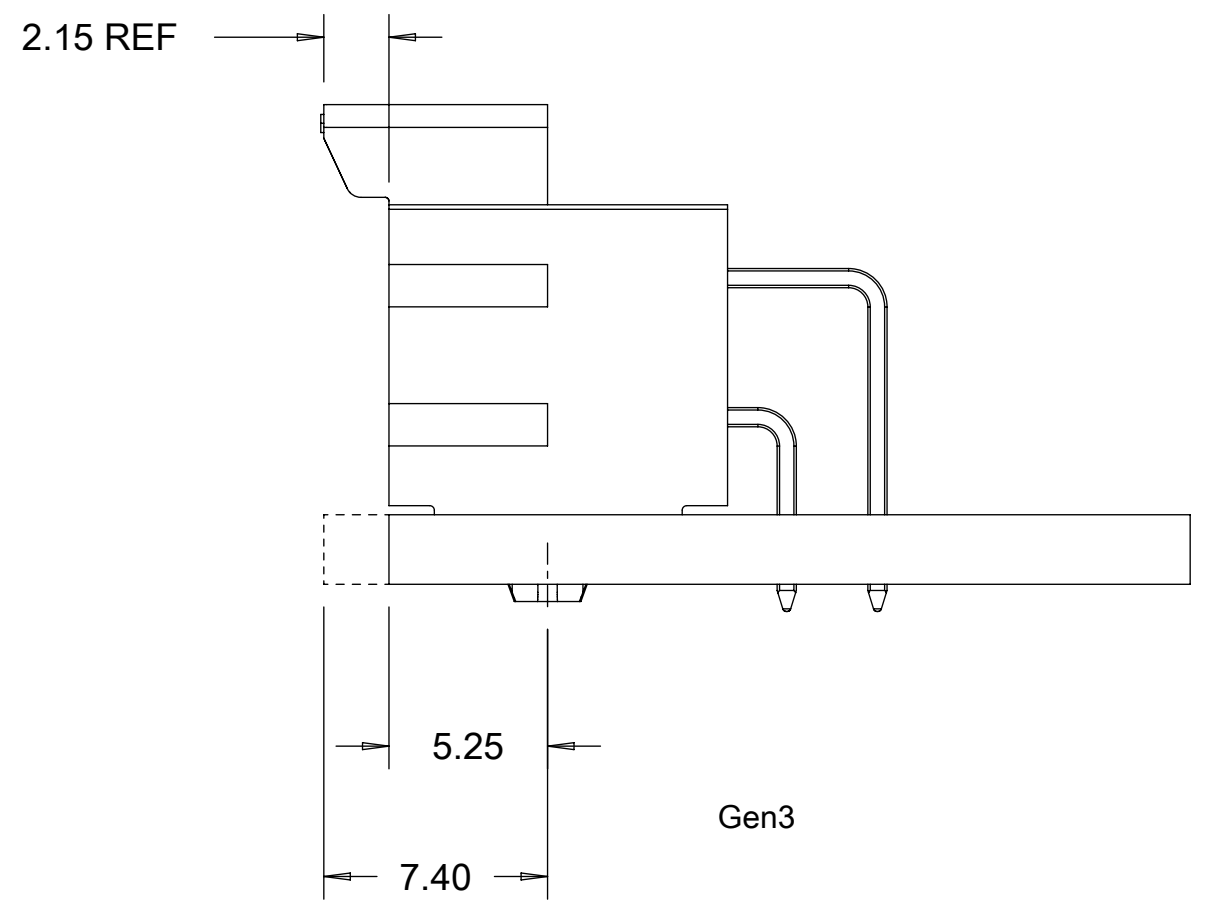
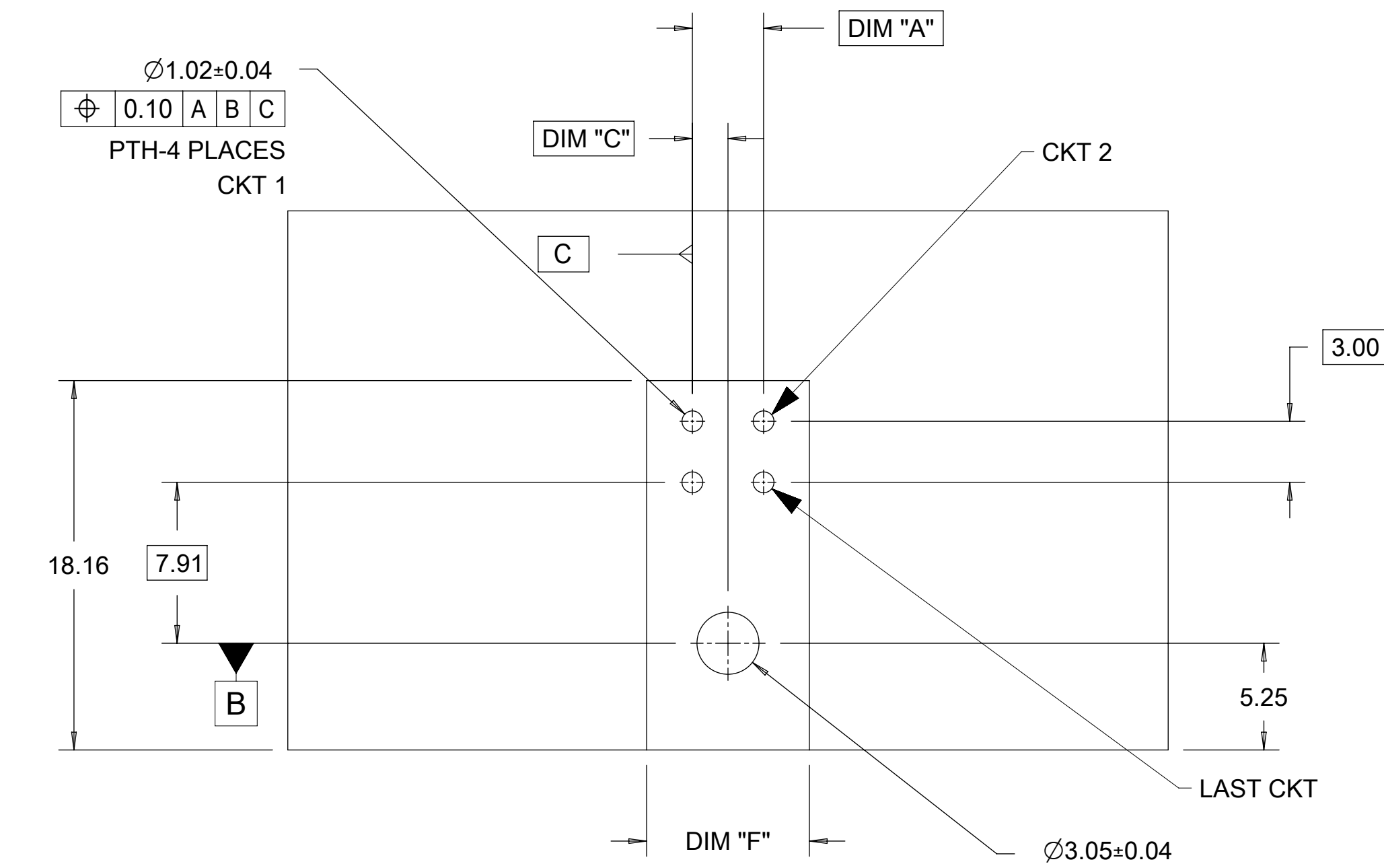
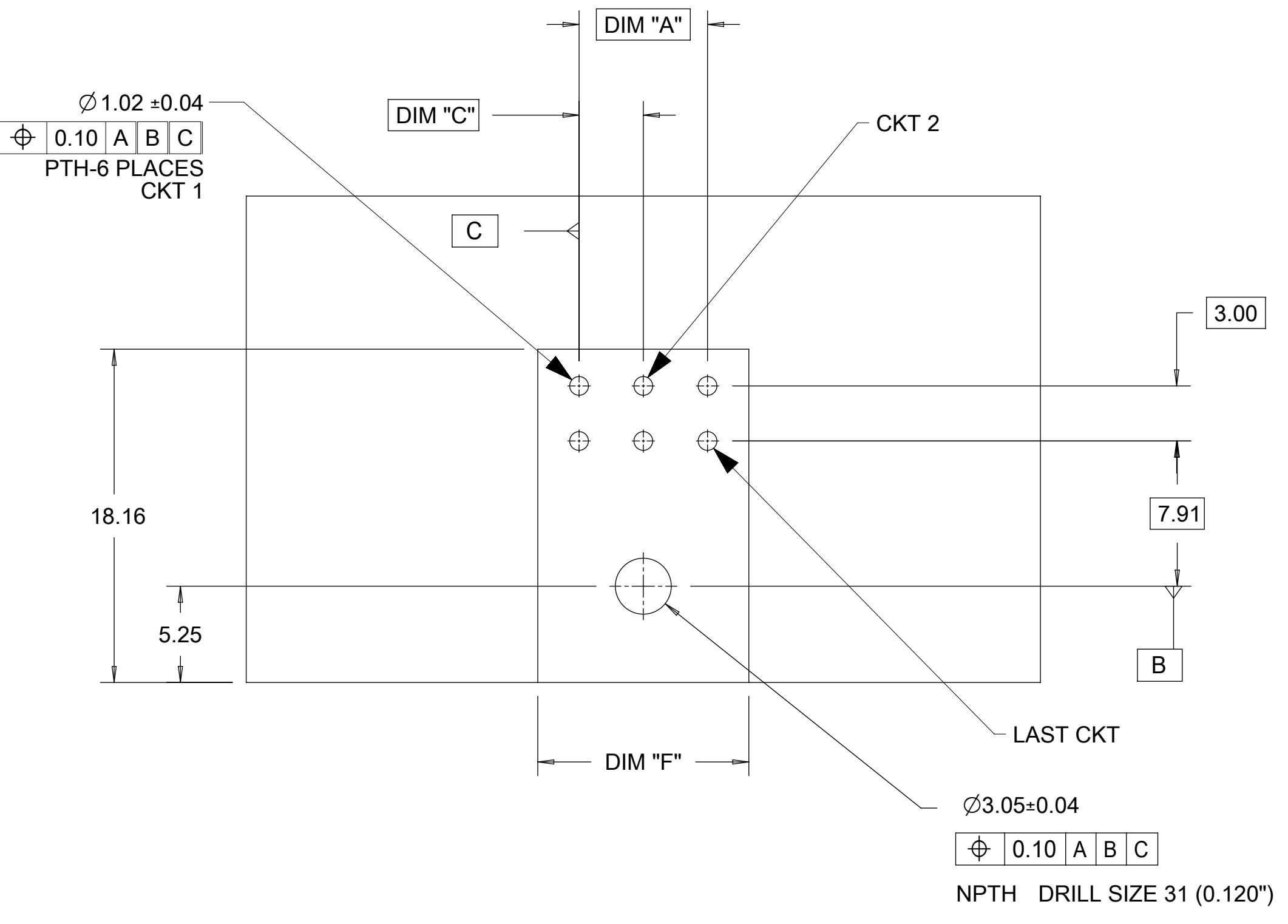
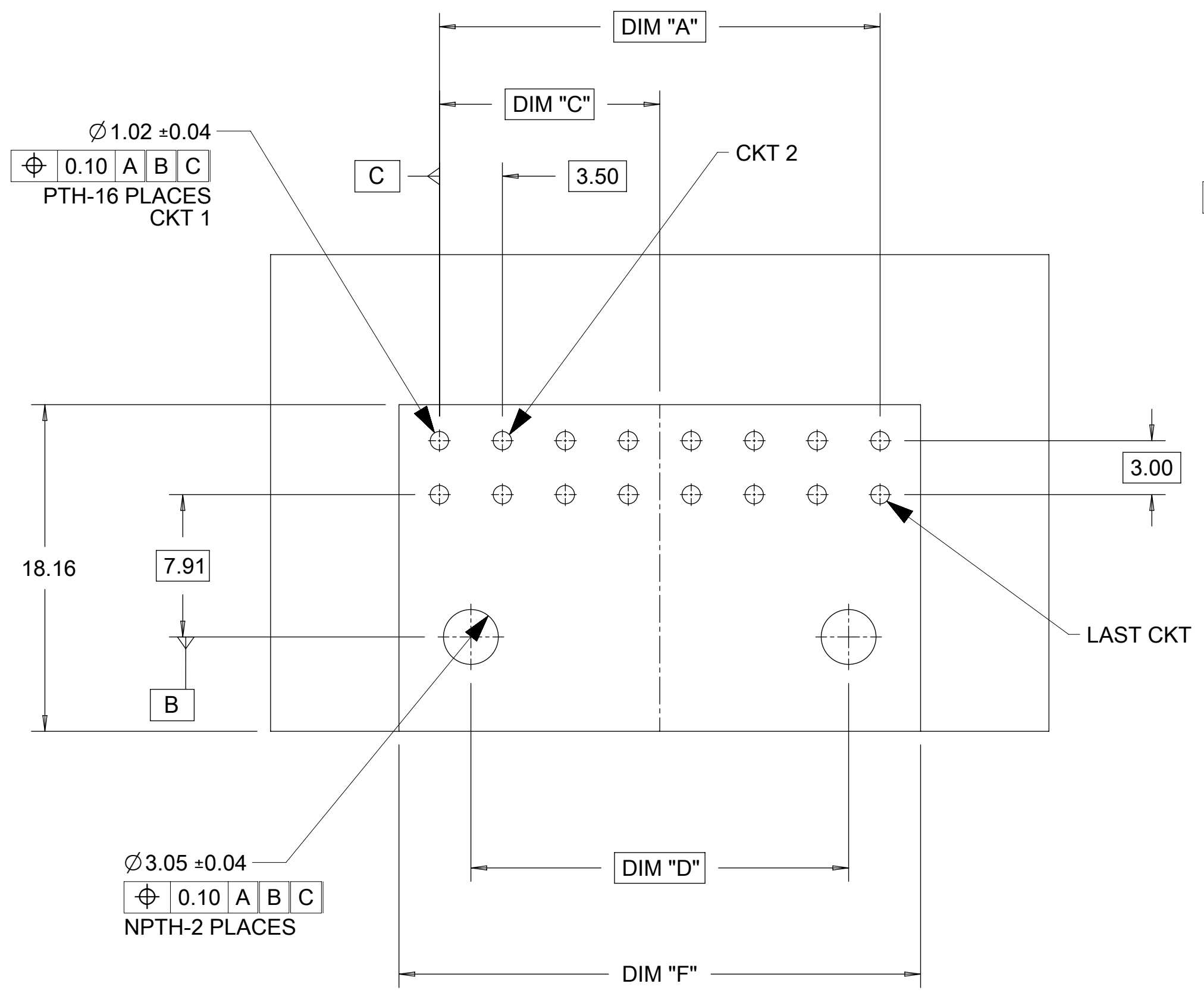
THIS DRAWING CONTAINS INFORMATION THAT IS PROPRIETARY TO MOLEX ELECTRONIC TECHNOLOGIES, LLC AND SHOULD NOT BE USED WITHOUT WRITTEN PERMISSION									
DIMENSION UNITS	SCALE	CURRENT REV DESC: RETRACTED P/N 1723161104.							
mm	1:1								
GENERAL TOLERANCES (UNLESS SPECIFIED)									
ANGULAR TOL	± °								
4 PLACES	±	EC NO: 746290							
3 PLACES	±	DRWN: SANTHN	2023/04/14						
2 PLACES	± 0.25	CHK'D: GGA	2023/04/19						
1 PLACE	± 0.5	APPR: GGA	2023/04/19						
0 PLACES	±	INITIAL REVISION:							
DRAFT WHERE APPLICABLE MUST REMAIN WITHIN DIMENSIONS		DRWN: DROSCA	2014/03/06						
		APPR: JCOMERCI	2014/04/24						
THIRD ANGLE PROJECTION	DRAWING	SERIES	MATERIAL NUMBER	CUSTOMER	SHEET NUMBER				
	D-SIZE	172316	SEE TABLE	GENERAL MARKET	1 OF 3				

**molex**

ULTRA-FIT R/A HEADER  
4-16 CKTS DUAL ROW

PRODUCT CUSTOMER DRAWING

DOCUMENT NUMBER: SD-172316-1000  
DOC TYPE: PSD  
DOC PART: 000  
REVISION: F8



OPTION 1: LATCH FLUSH WITH PCB EDGE  
OPTION 2: HOUSING BODY FLUSH WITH PCB EDGE

NOTE: DATUM -A- IS ON COMPONENT SIDE PCB

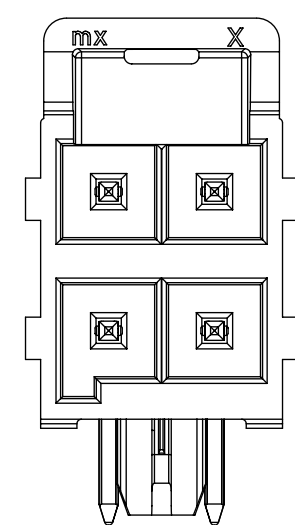
15 MICROINCH GOLD PLATING							
PART NO.	COLOR	CIRCUIT SIZE	KEY OPTION	DIM A	DIM F	DIM C	DIM D
172316-2206	NATURAL	6	KEY B	7.00	11.50	3.50	0.00
172316-2210	NATURAL	10	KEY B	14.00	18.50	7.00	10.50
172316-2216	NATURAL	16	KEY B	24.50	29.00	12.25	21.00

30 MICROINCH GOLD PLATING							
PART NO.	COLOR	CIRCUIT SIZE	KEY OPTION	DIM A	DIM F	DIM C	DIM D
172316-2304	NATURAL	4	KEY B	3.50	8.00	1.75	0.00

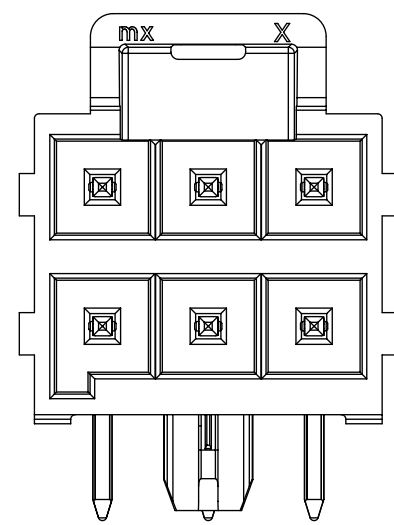
TIN PLATING							
PART NO.	COLOR	CIRCUIT SIZE	KEY OPTION	DIM A	DIM F	DIM C	DIM D
172316-1104	BLACK	4	KEY A	3.50	8.00	1.75	0.00

THIS DRAWING CONTAINS INFORMATION THAT IS PROPRIETARY TO MOLEX ELECTRONIC TECHNOLOGIES, LLC AND SHOULD NOT BE USED WITHOUT WRITTEN PERMISSION

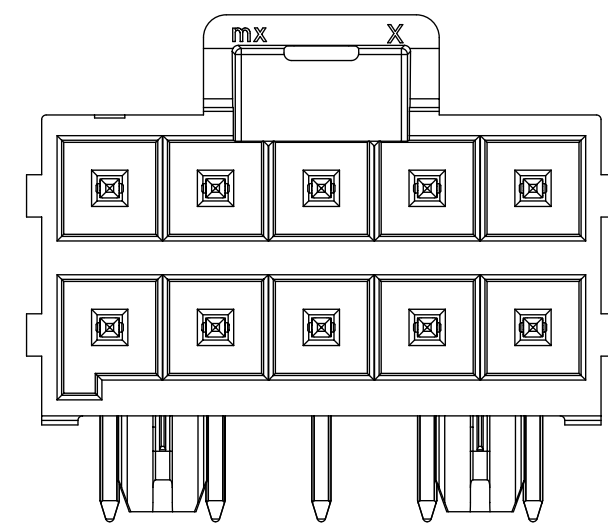
DIMENSION UNITS <b>mm</b>	SCALE <b>1:1</b>	CURRENT REV DESC: RETRACTED P/N 1723161104.	
GENERAL TOLERANCES (UNLESS SPECIFIED)		<b>molex</b>  ULTRA-FIT R/A HEADER 4-16 CKTS DUAL ROW  PRODUCT CUSTOMER DRAWING	
ANGULAR TOL	± °		
4 PLACES	±		
3 PLACES	±		
2 PLACES	± 0.25		
1 PLACE	± 0.5	EC NO: 746290	2023/04/14
0 PLACES	±	DRWN: SANTHN	2023/04/19
DRAFT WHERE APPLICABLE MUST REMAIN WITHIN DIMENSIONS		APPR: GGA	2023/04/19
THIRD ANGLE PROJECTION		INITIAL REVISION:	DOCUMENT NUMBER
D-DRAWING		DRWN: DROSCA	DOC TYPE
S-SERIES		APPR: JCOMERCI	DOC PART
MATERIAL NUMBER		2014/03/06	REVISION
CUSTOMER		2014/04/24	<b>SD-172316-1000</b>
SHEET NUMBER		SEE TABLE	<b>PSD 000 F8</b>
		<b>D-SIZE 172316</b>	<b>2 OF 3</b>



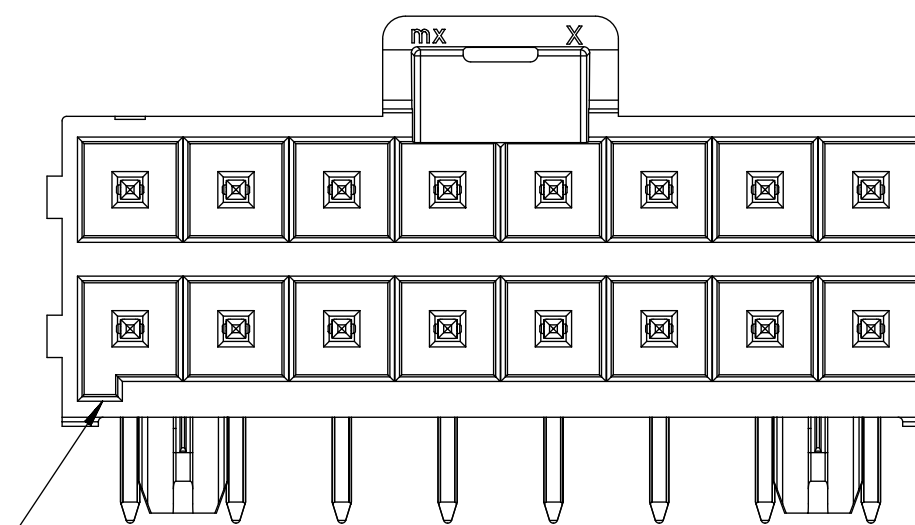
4 CKT



6 CKT

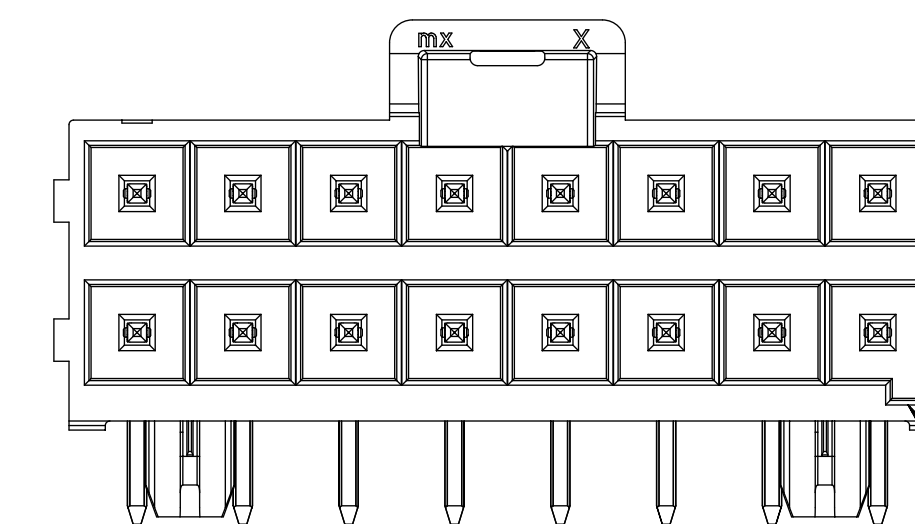


10 CKT



KEY A  
(BLACK)

16 CKT



KEY B  
(NATURAL)

THIS DRAWING CONTAINS INFORMATION THAT IS PROPRIETARY TO MOLEX ELECTRONIC TECHNOLOGIES, LLC AND SHOULD NOT BE USED WITHOUT WRITTEN PERMISSION																							
DIMENSION UNITS		SCALE		CURRENT REV DESC: RETRACTED P/N 1723161104.																			
mm		1:1		<div style="text-align: center; font-size: 24pt; font-weight: bold;">molex</div> <p>ULTRA-FIT R/A HEADER 4-16 CKTS DUAL ROW</p> <p>PRODUCT CUSTOMER DRAWING</p>																			
GENERAL TOLERANCES (UNLESS SPECIFIED)																							
ANGULAR TOL ± °																							
4 PLACES ±		EC NO: 746290																					
3 PLACES ±		DRWN: SANTHN 2023/04/14																					
2 PLACES ± 0.25		CHK'D: GGA 2023/04/19																					
1 PLACE ± 0.5		APPR: GGA 2023/04/19																					
0 PLACES ±		INITIAL REVISION:		DOCUMENT NUMBER																			
DRAFT WHERE APPLICABLE		THIRD ANGLE PROJECTION		DRAWING		SERIES		MATERIAL NUMBER		CUSTOMER		SHEET NUMBER											
MUST REMAIN WITHIN DIMENSIONS				D-SIZE		172316		SEE TABLE		GENERAL MARKET		3 OF 3											
<table border="1"> <tr> <td>DOCUMENT STATUS</td> <td>P1</td> <td>RELEASE DATE</td> <td>2023/04/19 07:10:09</td> </tr> </table>				DOCUMENT STATUS	P1	RELEASE DATE	2023/04/19 07:10:09	<table border="1"> <tr> <td>DOC TYPE</td> <td>DOC PART</td> <td>REVISION</td> </tr> <tr> <td>PSD</td> <td>000</td> <td>F8</td> </tr> </table>		DOC TYPE	DOC PART	REVISION	PSD	000	F8								
DOCUMENT STATUS	P1	RELEASE DATE	2023/04/19 07:10:09																				
DOC TYPE	DOC PART	REVISION																					
PSD	000	F8																					