


T3 / T4 Series

Temperature Indicator

■ Features

- Various size as DIN specifications
(W48×H24, W72×H36, W96×H48, W48×H48,
W48×H96, W72×H72, W96×H96mm)

 Please read "Safety Considerations" in operation manual before using.



■ Ordering Information

T	3	S	I	N	4	N	P	4	C	N	
Item	Digit	Size	Alarm/Sub output	Control method	Power supply	Control output	Input type ^{※3}	Temperature range ^{※3}	Temperature unit	N	New type ^{※1}
										C	°C
									0	-99.9 to 99.9, -99 to 199°C, -99.9 to 199.9°C	
									1	0 to 99.9°C	
									2	0 to 200°C	
									4	0 to 400°C	
									5	0 to 500°C	
									8	0 to 800°C	
									A	0 to 999°C	
									C	0 to 1200°C	
									F	600 to 1600°C	
Item	Digit	Size	Alarm/Sub output	Control method	Power supply	Control output	Input type ^{※3}	Temperature range ^{※3}	Temperature unit	P	DPt100Ω
										J	J(IC)
										K	K(CA)
										R	R(PR)
										N	Indicator
										X	12-24VDC
										4	100-240VAC 50/60Hz
										N	Indicator
										I	Indicator
										N	DIN W48×H24mm
										Y	DIN W72×H36mm
W	DIN W96×H48mm										
S	DIN W48×H48mm (8-pin plug type) ^{※2}										
H	DIN W48×H96mm										
M	DIN W72×H72mm										
L	DIN W96×H96mm										
Item	Digit	Size	Alarm/Sub output	Control method	Power supply	Control output	Input type ^{※3}	Temperature range ^{※3}	Temperature unit	3	999 (3-digit)
										4	9999 (4-digit)
Item	Digit	Size	Alarm/Sub output	Control method	Power supply	Control output	Input type ^{※3}	Temperature range ^{※3}	Temperature unit	T	Temperature Controller

※1: Name plate and connections are different from previous T3/T4 Series.

※2: Sockets (PG-08, PS-08(N)) are sold separately.

Temperature Indicator

※3: Input type and temperature range by Series

Input type			Series Model	T3NI	T4Y1, T4WI	T3SI	T3HI	T4MI, T4LI
Thermocouples	K(CA)	0 to 200°C	2	●	-	-	-	-
		0 to 400°C	4	●	-	-	-	-
		0 to 800°C	8	●	-	●	-	●
		0 to 999°C	A	●	-	-	●	-
		0 to 1200°C	C	-	●	-	-	●
	J(IC)	0 to 200°C	2	●	-	-	-	-
		0 to 400°C	4	●	-	●	●	●
		0 to 500°C	5	●	●	-	-	-
	R(PR)	600 to 1600°C	F	-	-	-	-	●
RTD	DPT 100Ω	-99.9 to 99.9°C	0	●	-	-	-	-
		-99.9 to 199.9°C	0	-	●	-	-	●
		-99 to 199°C	0	-	-	-	●	-
		0 to 99.9°C	1	●	-	●	-	-
		0 to 200°C	2	●	-	-	-	-
		0 to 400°C	4	●	●	●	●	●

※Please contact us for temperature unit °F model.

Specifications

Series	T3NI	T4Y1	T4WI	T3SI	T3HI	T4MI	T4LI	
Power supply	12-24VDC≡	100-240VAC~ 50/60Hz						
Allowable voltage range	90 to 110% of rated voltage							
Power consumption	Max. 1W	Max. 3VA						
Display method	7-segment (red) LED method							
Character size (W×H)	3.8×7.6mm	8.0×14.2mm		3.8×7.6mm	6.0×10.0mm		8.0×14.2mm	
Input type	RTD	DPT100Ω (allowable line resistance max. 5Ω per a wire)						
	TC	K(CA), J(IC)				K(CA), J(IC), R(PR)		
Display accuracy※1	RTD	●At room temperature (23°C ± 5°C): (PV ± 0.5% or ±1°C, select the higher one)±1-digit						
	TC	●Out of room temperature range: (PV ± 0.5% or ±2°C, select the higher one)±1-digit						
Sampling period	100ms							
Dielectric strength	1,000VAC 50/60Hz for 1 min (between input terminal and power terminal)		2,000VAC 50/60Hz for 1 min (between input terminal and power terminal)					
	Vibration							
0.75mm amplitude at frequency of 10 to 55Hz (for 1 min) in each X, Y, Z direction for 2 hours								
Insulation resistance								
Over 100MΩ (at 500VDC megger)								
Noise immunity	Square-wave noise by noise simulator (pulse width 1μs) ±500V R-phase and S-phase		Square-wave noise by noise simulator (pulse width 1μs) ±2kV R-phase and S-phase					
	Environment							
Ambient temp.	-10 to 50°C, storage: -20 to 60°C							
Ambient humi.	35 to 85% RH, storage: 35 to 85% RH							
Weight※2	Approx. 48g	Approx. 181g	Approx. 231g	Approx. 120g	Approx. 203g	Approx. 202g	Approx. 274g	
	(approx. 25g)	(approx. 123g)	(approx. 140g)	(approx. 80g)	(approx. 137g)	(approx. 137g)	(approx. 185g)	

※1: In case of the T3NI, T3SI Series and the decimal point display models
 At room temperature (23°C±5°C): (PV ±0.5% or ±2°C, select the higher one)±1-digit
 Out of room temperature range: (PV ±0.5% or ±3°C, select the higher one)±1-digit

※2: The weight includes packaging. The weight in parenthesis is for unit only.

※Environment resistance is rated at no freezing or condensation.

(A)	Photoelectric Sensors
(B)	Fiber Optic Sensors
(C)	Door/Area Sensors
(D)	Proximity Sensors
(E)	Pressure Sensors
(F)	Rotary Encoders
(G)	Connectors/ Connector Cables/ Sensor Distribution Boxes/Sockets
(H)	Temperature Controllers
(I)	SSRs / Power Controllers
(J)	Counters
(K)	Timers
(L)	Panel Meters
(M)	Tacho / Speed / Pulse Meters
(N)	Display Units
(O)	Sensor Controllers
(P)	Switching Mode Power Supplies
(Q)	Stepper Motors & Drivers & Controllers
(R)	Graphic/ Logic Panels
(S)	Field Network Devices
(T)	Software

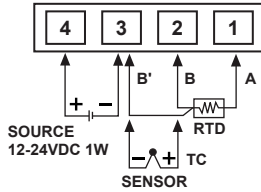
T3 / T4 Series

■ Connections

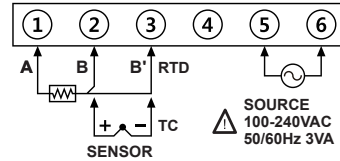
※Use terminals of size specified below.

	<Round>	<Forked>
a	Min. 3.5mm	Min. 3.5mm
b	Max. 7.2mm	Max. 7.2mm

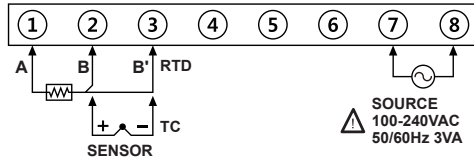
• T3NI



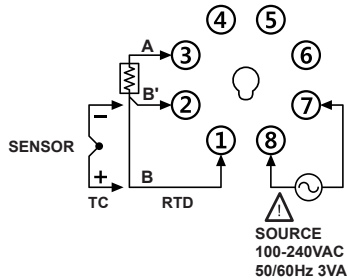
• T4YI



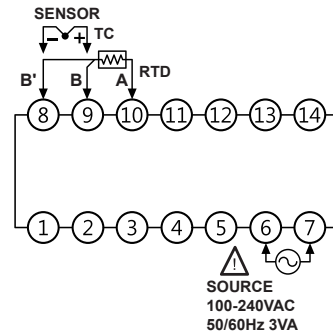
• T4WI



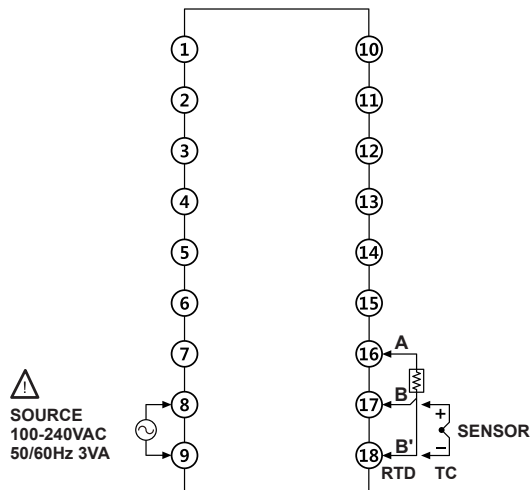
• T3SI



• T4MI



• T3HI, T4LI

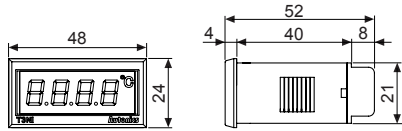


Temperature Indicator

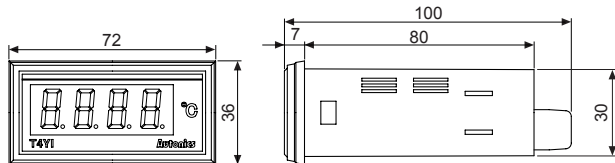
■ Dimensions

(unit: mm)

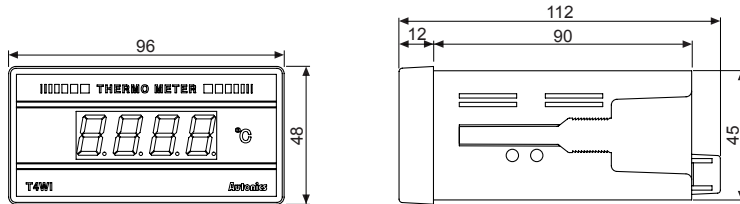
• T3NI



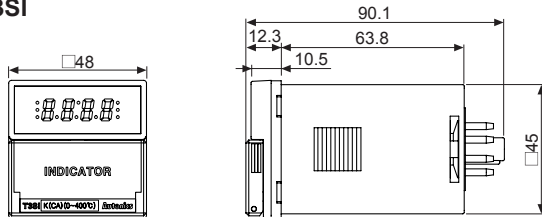
• T4YI



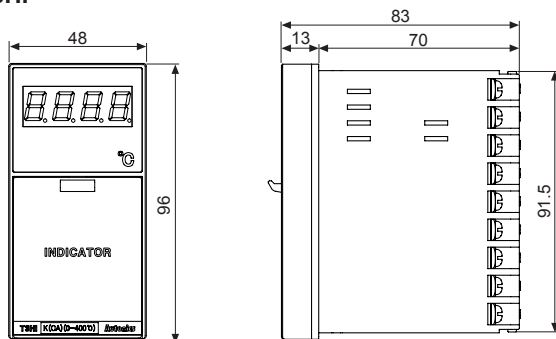
• T4WI



• T3SI



• T3HI



(A) Photoelectric Sensors

(B) Fiber Optic Sensors

(C) Door/Area Sensors

(D) Proximity Sensors

(E) Pressure Sensors

(F) Rotary Encoders

(G) Connectors/
Connector Cables/
Sensor Distribution
Boxes/Sockets

(H) Temperature Controllers

(I) SSRs / Power Controllers

(J) Counters

(K) Timers

(L) Panel Meters

(M) Tacho / Speed / Pulse Meters

(N) Display Units

(O) Sensor Controllers

(P) Switching Mode Power Supplies

(Q) Stepper Motors & Drivers & Controllers

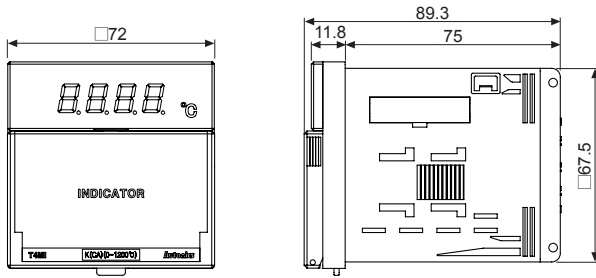
(R) Graphic/ Logic Panels

(S) Field Network Devices

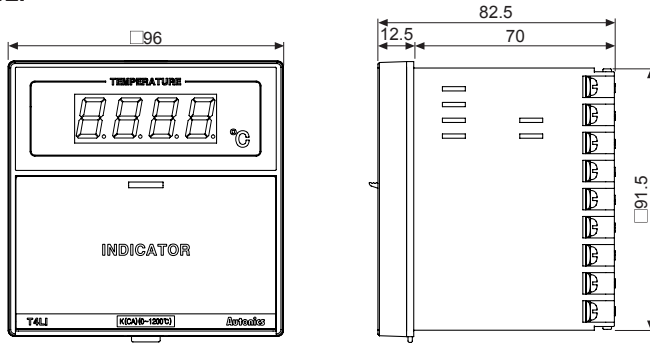
(T) Software

T3 / T4 Series

• T4MI



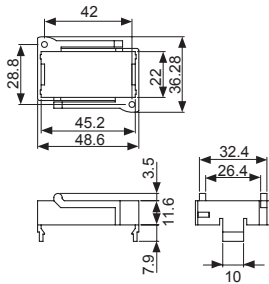
• T4LI



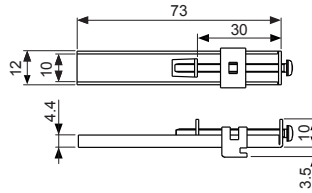
• Bracket

(unit: mm)

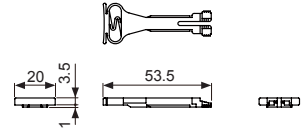
• T3NI Series



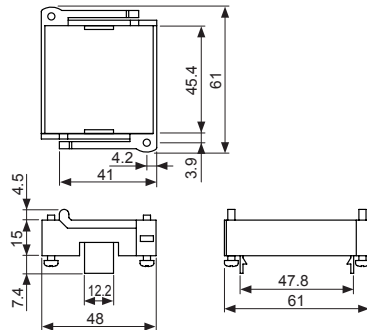
• T4YI Series



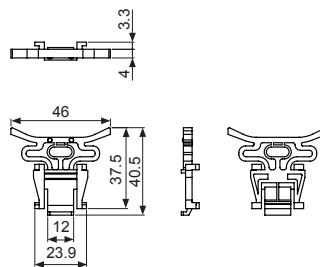
• T4WI Series



• T3SI Series



• T3HI/T4MI/T4LI Series

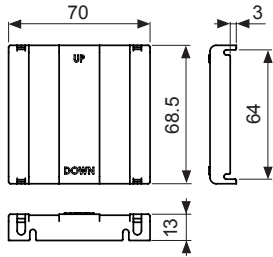


Temperature Indicator

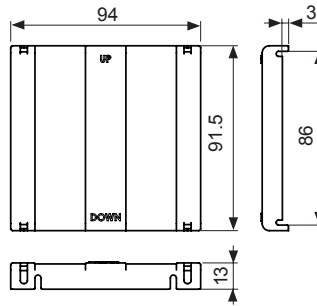
● Terminal cover (sold separately)

(unit: mm)

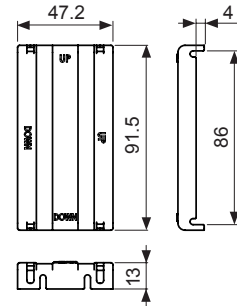
●RMA-COVER (72×72mm)



●RLA-COVER (96×96mm)

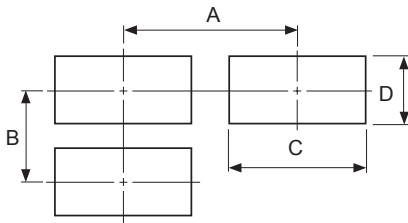


●RHA-COVER (48×96mm)



●Panel cut-out

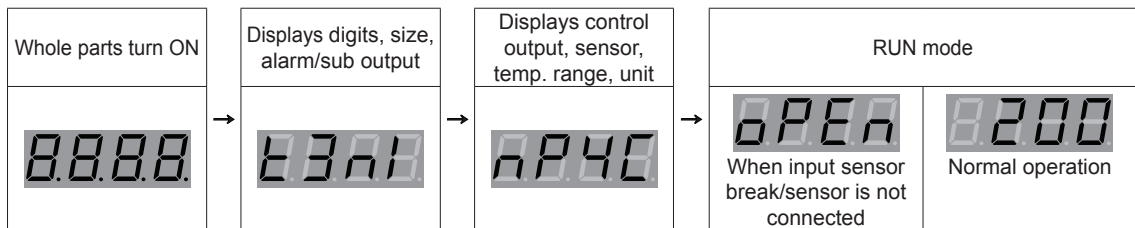
(unit: mm)



Series	Size	A	B	C	D
T3NI		Min. 55	Min. 37	45 ^{+0.5} ₀	22.2 ^{+0.3} ₀
T4YI		Min. 91	Min. 40	68 ^{+0.7} ₀	31.5 ^{+0.8} ₀
T4WI		Min. 116	Min. 52	92 ^{+0.8} ₀	45 ^{+0.8} ₀
T3SI		Min. 65	Min. 65	45 ^{+0.8} ₀	45 ^{+0.8} ₀
T3HI		Min. 65	Min. 115	45 ^{+0.8} ₀	92 ^{+0.8} ₀
T4MI		Min. 90	Min. 90	68 ^{+0.7} ₀	68 ^{+0.7} ₀
T4LI		Min. 115	Min. 115	92 ^{+0.8} ₀	92 ^{+0.8} ₀

■ Display When Power Is ON

When power is supplied, whole display parts turn ON for 1 sec. It displays model type (digits, size, alarm/sub output and control output, sensor, temp. range, unit). Afterward, it returns to RUN mode.



When input sensor break/sensor is not connected, it displays [oPE n]. In case of normal operation, it displays the present input temperature.

■ Error Display

Display	Description	Troubleshooting
oPE n	Flashes when a temperature sensor is broken or not connected.	Check the status of the temperature sensor. When the sensor is connected correctly, it is clear.
HHHH	Flashes when the measured input value is higher than the temperature range of the sensor.	When the measured temperature is within the temperature range of the sensor, it is clear.
LLLL	Flashes when the measured input value is lower than the temperature range of the sensor.	

- (A) Photoelectric Sensors
- (B) Fiber Optic Sensors
- (C) Door/Area Sensors
- (D) Proximity Sensors
- (E) Pressure Sensors
- (F) Rotary Encoders
- (G) Connectors/ Connector Cables/ Sensor Distribution Boxes/Sockets
- (H) Temperature Controllers
- (I) SSRs / Power Controllers
- (J) Counters
- (K) Timers
- (L) Panel Meters
- (M) Tacho / Speed / Pulse Meters
- (N) Display Units
- (O) Sensor Controllers
- (P) Switching Mode Power Supplies
- (Q) Stepper Motors & Drivers & Controllers
- (R) Graphic/ Logic Panels
- (S) Field Network Devices
- (T) Software