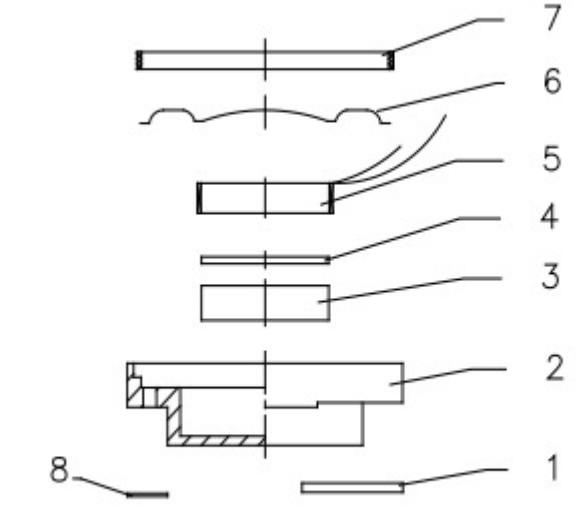
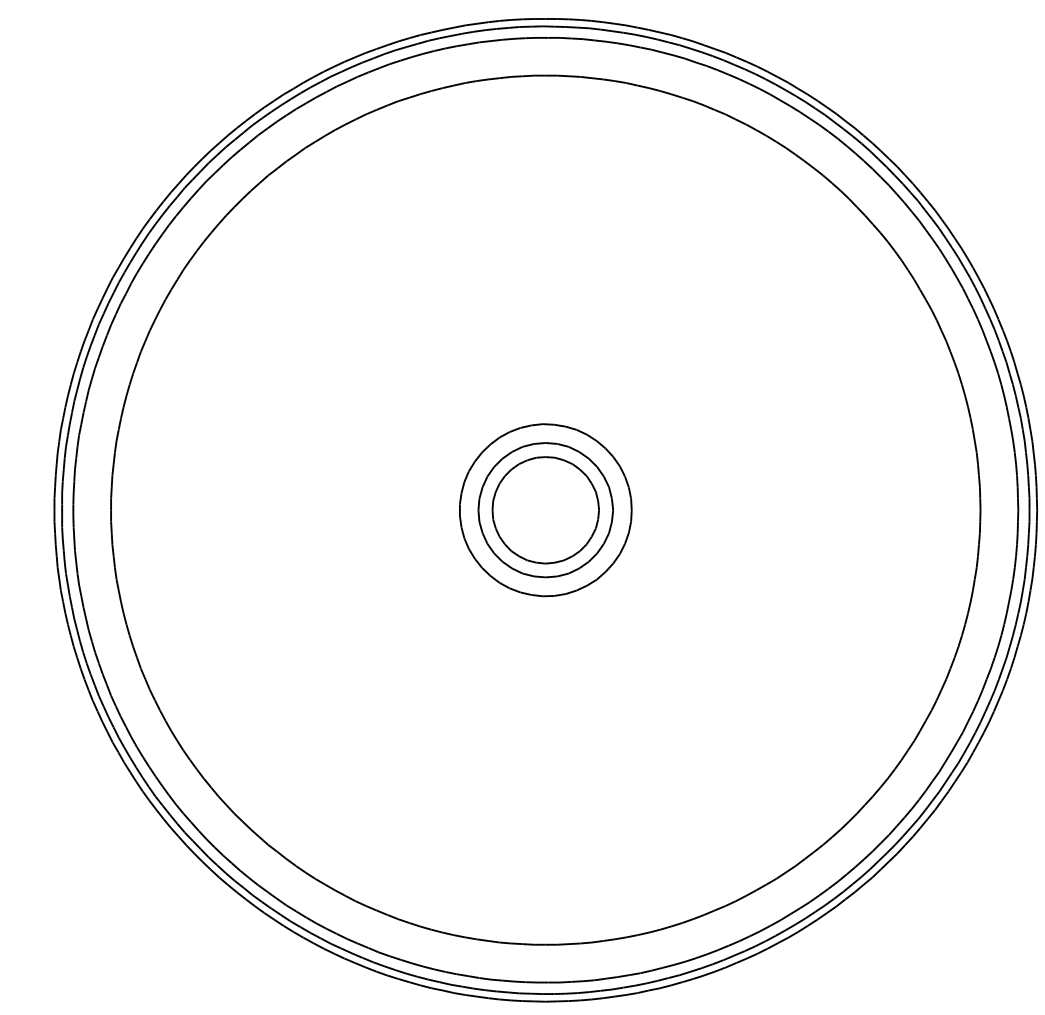
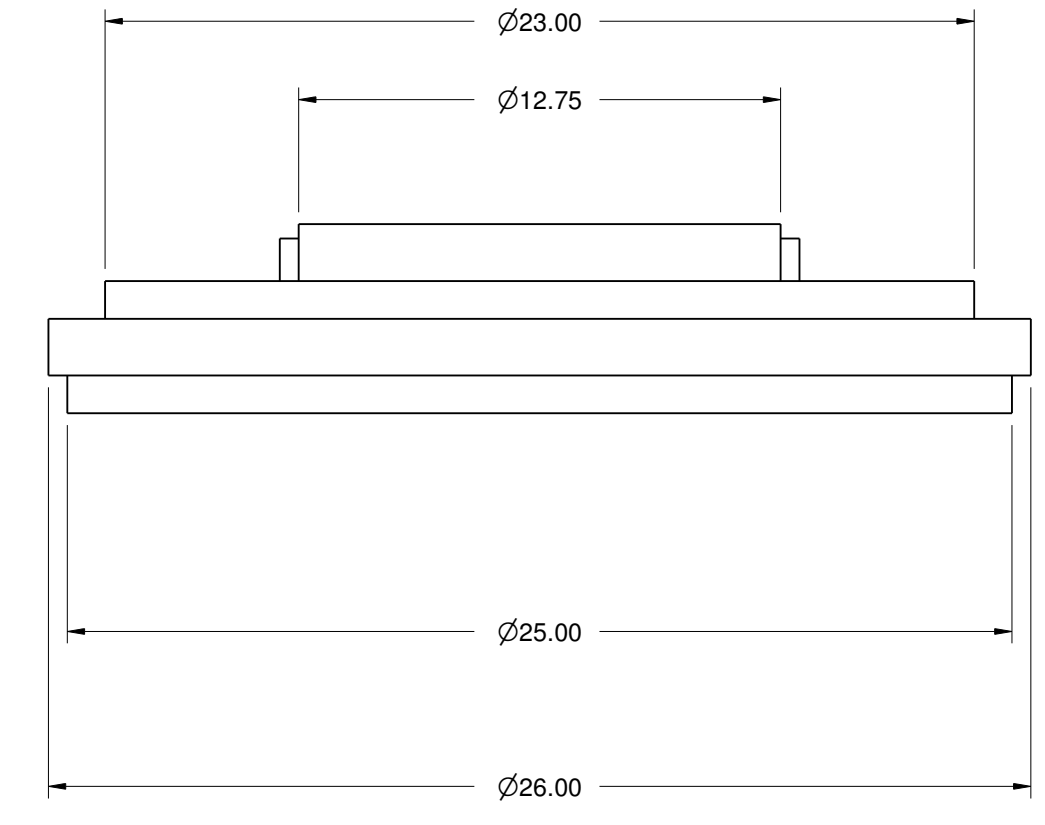
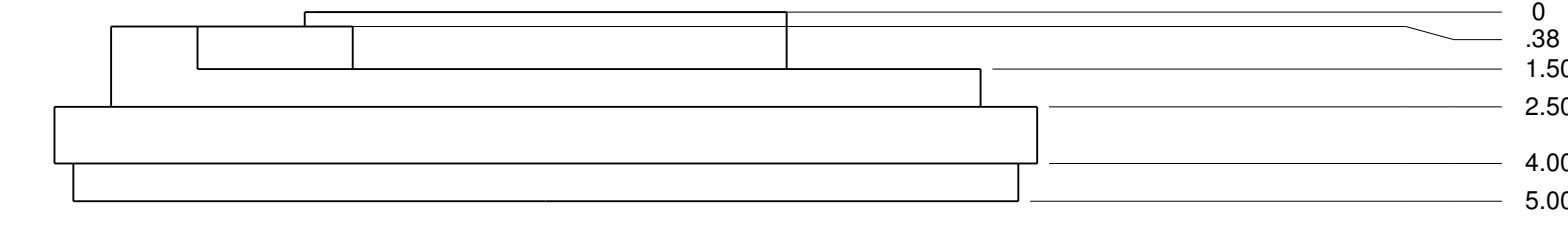
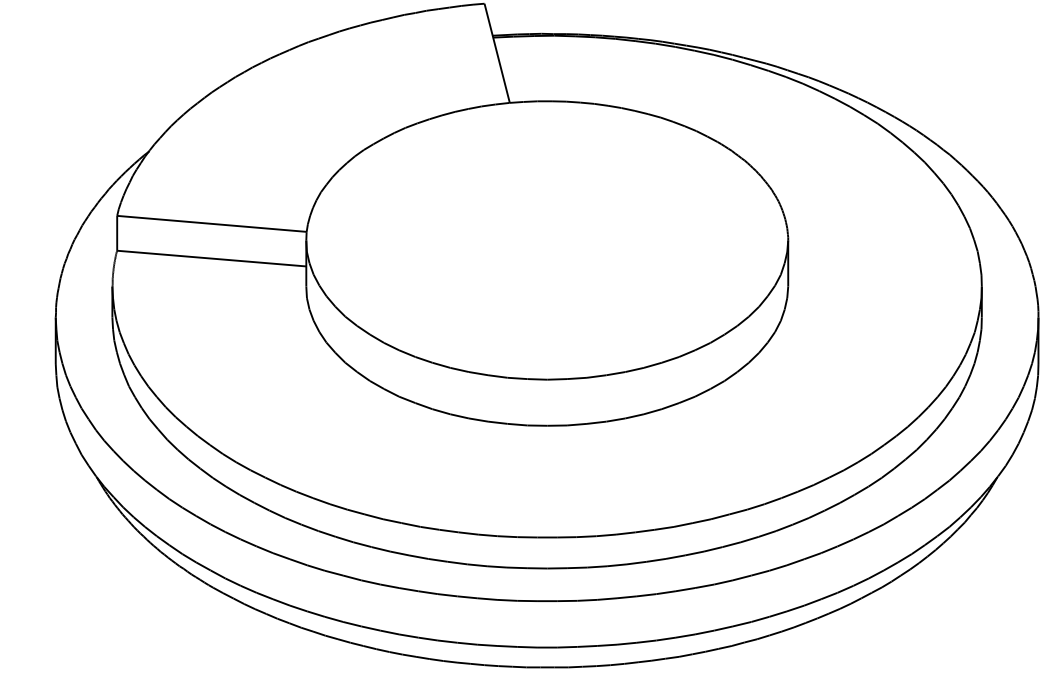
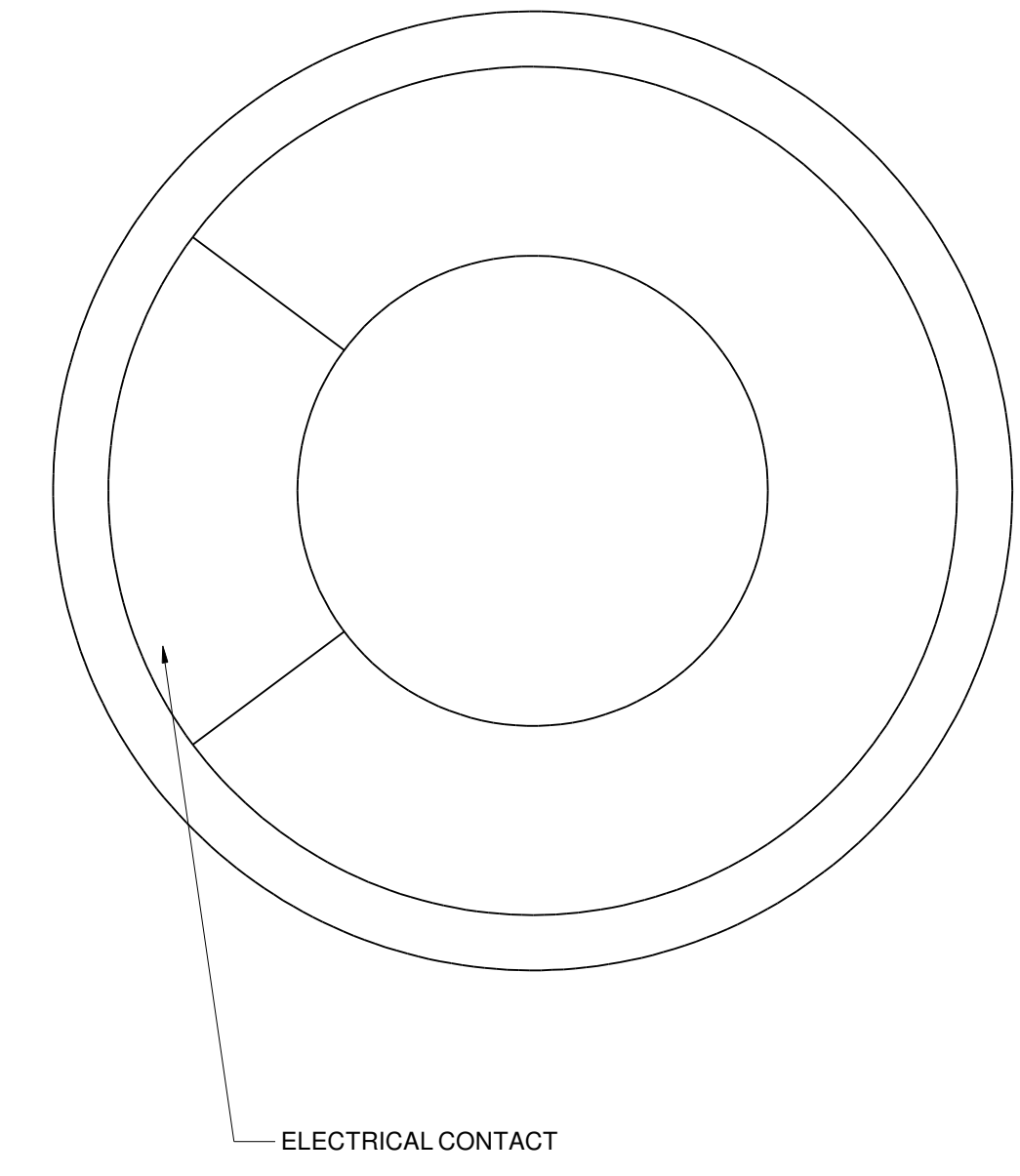


REVISIONS				
ZONE	REV	DESCRIPTION	DATE	APPROVED



no	item	material	quantity
1	PCB	FR-4	1
2	Frame	SPCC	1
3	Main magnet	Ø9.5x1.5-N38	1
4	Plate	Ø9.7x0.8SPCC	1
5	Voice coil	Copper	1
6	Diaphragm	PET	1
7	Gasket	Black paper	1
8	Silk screen	Black cloth	1



ALL TOLERANCES +/- .5MM UNLESS NOTED

SIZE D	FSCM NO.	DWG NO. SP-2605	REV
SCALE 1:1	SHEET 1 OF 1		