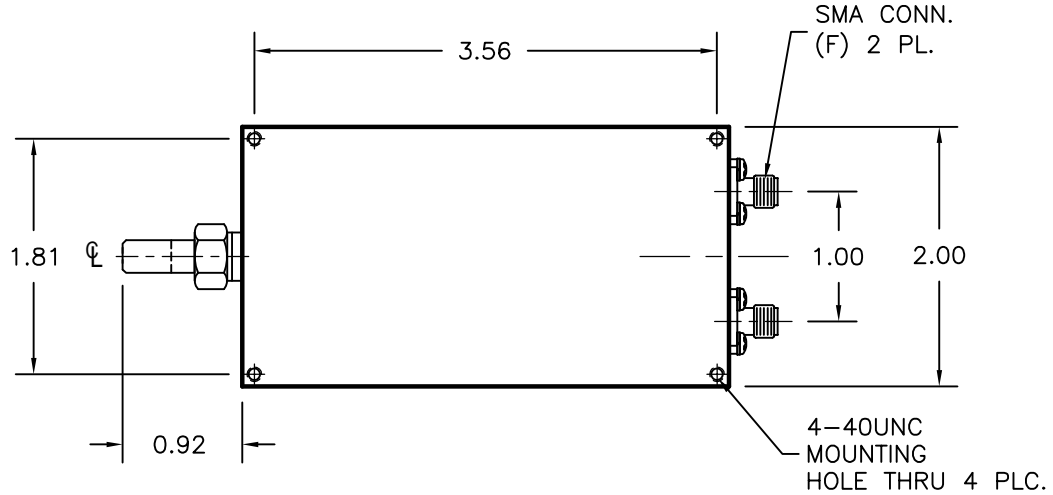
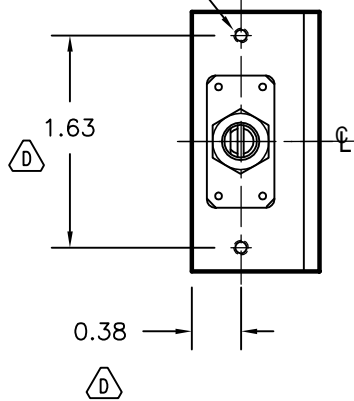
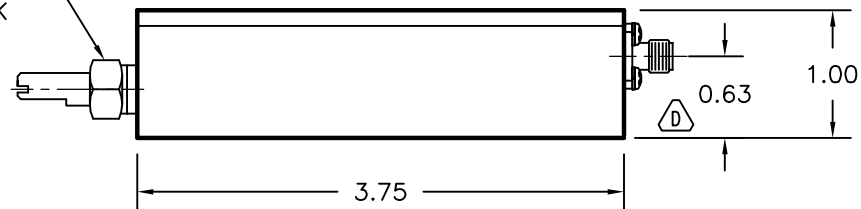


REV A	AUTH -	DATE 07/12/01	INITIAL RELEASE
REV B	AUTH RL	DATE 03/02/07	NOTES, TITLE BLOCK UPDATED
REV C	AUTH M.R.	DATE 11/14/11	FORMAT UPDATED, LOCK NUT ADDED, NOTE UPDATED
REV D	AUTH BF	DATE 4-5-12	1.63 WAS 1.62, .38 WAS .36, .63 WAS .61

4-40 X .25 DP
MOUNTING HOLE
2 PLC.



ø.25 SHAFT WITH
SCREWDRIVER SLOT,
3/8-32UNEF
THREADED HUB
AND SHAFT LOCK



NOTES:

1. ALL STANDARD MODELS COME WITH LOCK NUT & KNOB
2. ALL MODELS HAVE AN RF POWER RATING OF 100W AVERAGE & 3 KW PEAK

THIRD ANGLE PROJECTION:		APPROVALS	DATE	ADVANCED TECHNICAL MATERIALS, INC. TEL: (631) 289-0363 FAX: (631) 289-0358 www.atmmicrowave.com		<small>THE INFORMATION IN THIS DRAWING IS PROPRIETARY AND SHALL NOT BE USED OR DISCLOSED WITHOUT THE PRIOR WRITTEN CONSENT OF ATM, INC. DO NOT SCALE DWG.</small>	
UNLESS OTHERWISE NOTED, DIMENSIONS ARE IN INCHES, TOLERANCES ARE: FRACTIONS: ±1/64 ANGLES: ±1/2° MACHINED FINISH 63 ✓ OR BETTER		DRAWN R.L.	07/12/01				
		CHKD.					
		APRVD.					
DECIMALS 2 PLACE 3 PLACE ±.01 ±.005		MATERIAL ALUM ALLOY BODY	SIZE A CAGE CODE OR8N4 ATM DWG # 4430W REVISION D				
		TREATMENT CHEM FILM			SCALE N/A MODEL # P140XX SHEET 1/1		
		ATM STD GRAY					