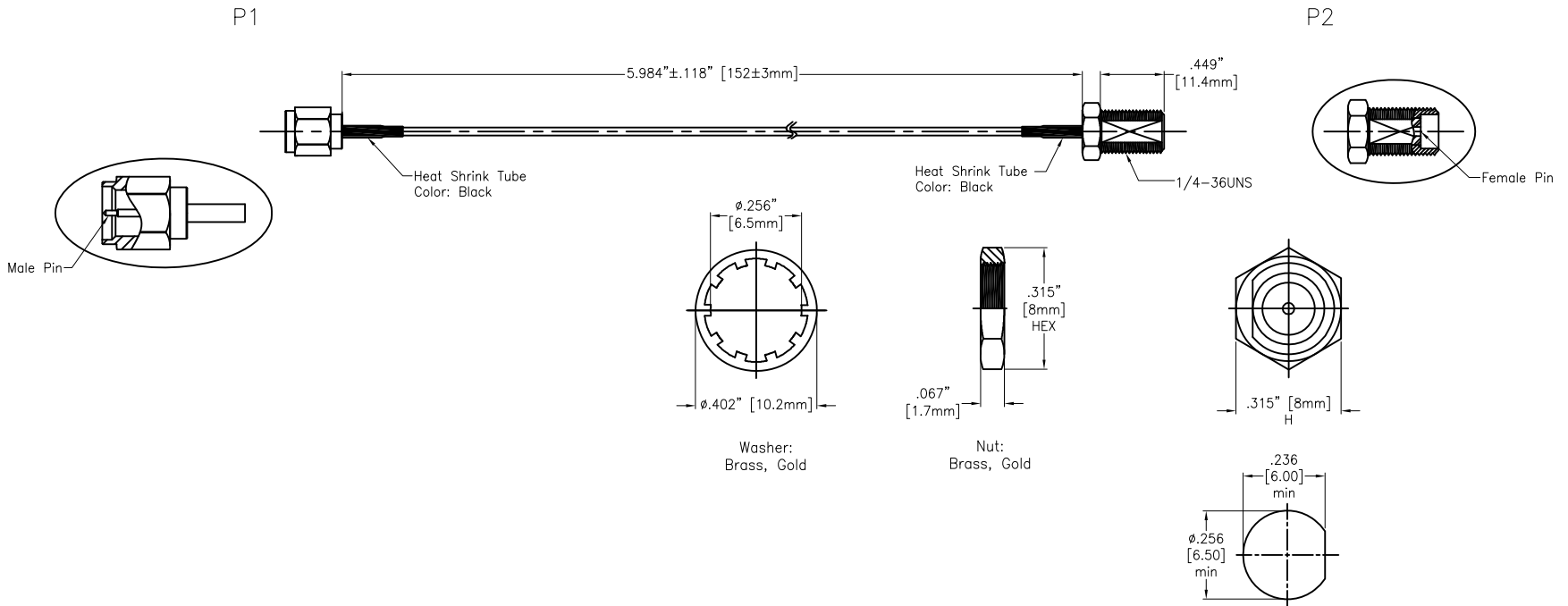


APPROVED: \_\_\_\_\_  
 DATE: \_\_\_\_\_ TITLE: \_\_\_\_\_

Rev	AWO #	Description	Date	Appr
-		RELEASED	11/16/18	
A		ADDED RECOMMENDED MOUNTING HOLES	09/15/20	TW

CUSTOM CABLE ASSEMBLIES ARE NON-CANCELLABLE / NON-RETURNABLE



**SPECIFICATIONS:**

**Connector:**  
 P1= SMA Straight Plug Connector, Male Pin, Gold plated  
 P2= SMA Straight Jack Connector, Female Pin, Gold plated

**Cable:**  
 RG316

**Electrical:**  
 Impedance: 50 ohms  
 Frequency range: DC-6 GHz

**Electrical Test:**  
 All Assemblies must be 100% Tested for  
 Shorts, Open, Continuity, and Physical Appearance.

**Environmental:**  
 Lead free, RoHS compliant



△ RECOMMENDED MOUNTING HOLES

UNLESS OTHERWISE SPECIFIED ALL DIMENSIONS ARE INCHES [MM] TOLERANCES: EXCEPT AS NOTED INCHES HOLES		
.X ± .10	∅.X ± .10	
.XX ± .020	∅.XX ± .015	
.XXX ± .015	∅.XXX ± .010	
APPROVALS		DATE
DRAWN	AY	11/16/18
CHECKED	AC	11/16/18
APPROVED		

**ADAM TECH INTERCONNECTS**  
 909 Rahway Avenue,  
 Union, NJ 07083  
 Phone: 908-687-5000  
 Fax: 908-687-5710

TITLE: CUSTOM ASSEMBLY, SMA ST PLUG TO  
 SMA ST JACK, RG316 CABLE

SIZE	PART NO.	REV.
X	CA#DKCA1-152L5-APAJ	A
REF: S00291T	SCALE: NTS	SHEET 1 OF 1