

AR865CHL



Sample image

Order symbol: AR865CHL

Product nbr: 8561022

Description: PC Enclosure

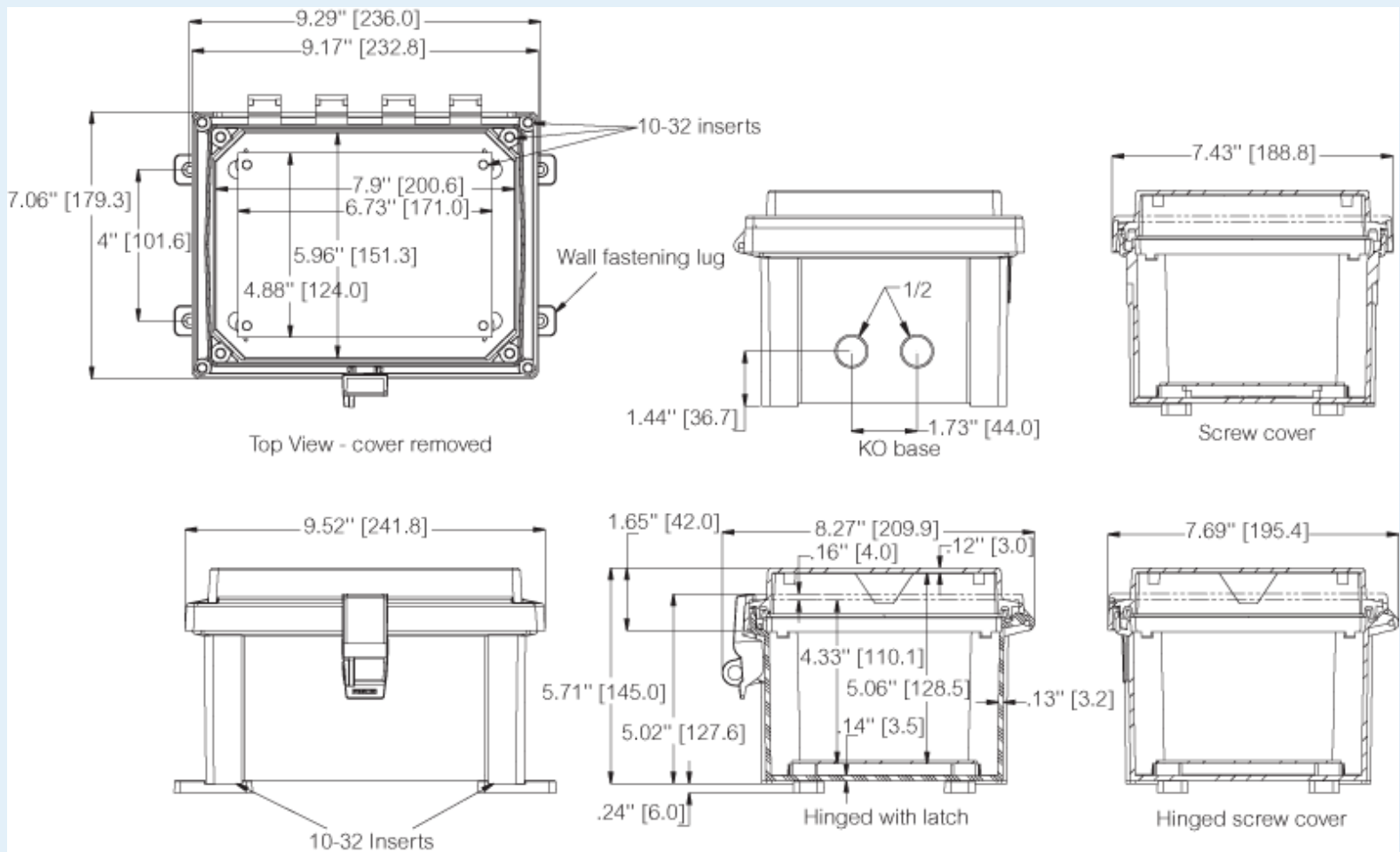
Remarks: Hinged opaque cover w/Plastic quick release latch

EAN: 6418074066893

El. number:

- Finland:
- Denmark:
- Sweden:

Including: Hinged cover. Base with 10-32 brass inserts, latched cover with formed in place PUR gasket, stainless hinge pin. Quick release latches. Enclosure mounting foot kit. Accessory 10-32 screws for panel mounting.



| Dimensions: | Height | Width | Depth |
|--------------------|---------------|--------------|--------------|
| mm: | 203 | 152 | 127 |
| inch: | 8 | 6 | 5 |

Materials:

| | |
|------------------|----------------------|
| Material: | Polycarbonate |
| Base colour: | RAL 7035 -light grey |
| Cover colour: | RAL 7035 -light grey |
| Gasket material: | Polyurethane |

Temperatures:

| | |
|-------------------------------|-------------|
| Temperature °C (short term):: | -40 ... 140 |
| Temperature °C (continuous): | -40 ... 80 |
| Temperature °F (short term): | -40 ... 250 |
| Temperature °F (continuous): | -40 ... 175 |

Accessories:

| | |
|--------|---|
| AMFL6 | 6" Mounting Flange Set |
| ASP86 | Aluminum Swing Panel (154.4 x 204.5 x 0) |
| ASPK86 | Swing Panel Kit incl. Panel |
| APBP86 | PVC Back Panel (175 x 124) |
| ASPHK8 | Swing Panel Kit w/o Panel |
| ABP86 | Painted Steel Back Panel (175 x 124) |
| ALBP86 | Aluminum Back Panel (175 x 124) |
| ADFP86 | Dead Front Panel w/ screws (157 x 205.5 x 0) |

Rating:

| | |
|---|--------------------------------------|
| Ingress protection (EN 60529): | IP66; IP67; |
| Impact Resistance (EN 62262): | IK09; |
| Electrical insulation: | Not insulated |
| Halogen free (DIN/VDE 0472, Part 815): | 1 |
| UV resistance: | UL 508 |
| Flammability Rating: | UL 508 |
| Glow Wire Test (IEC 695-2-1) °C: | 960 °C |
| NEMA Class | NEMA 4, 4X, 6, 6P, 12, 12K and 13 |

Certificates:

ARCA_CertificateofCompliance