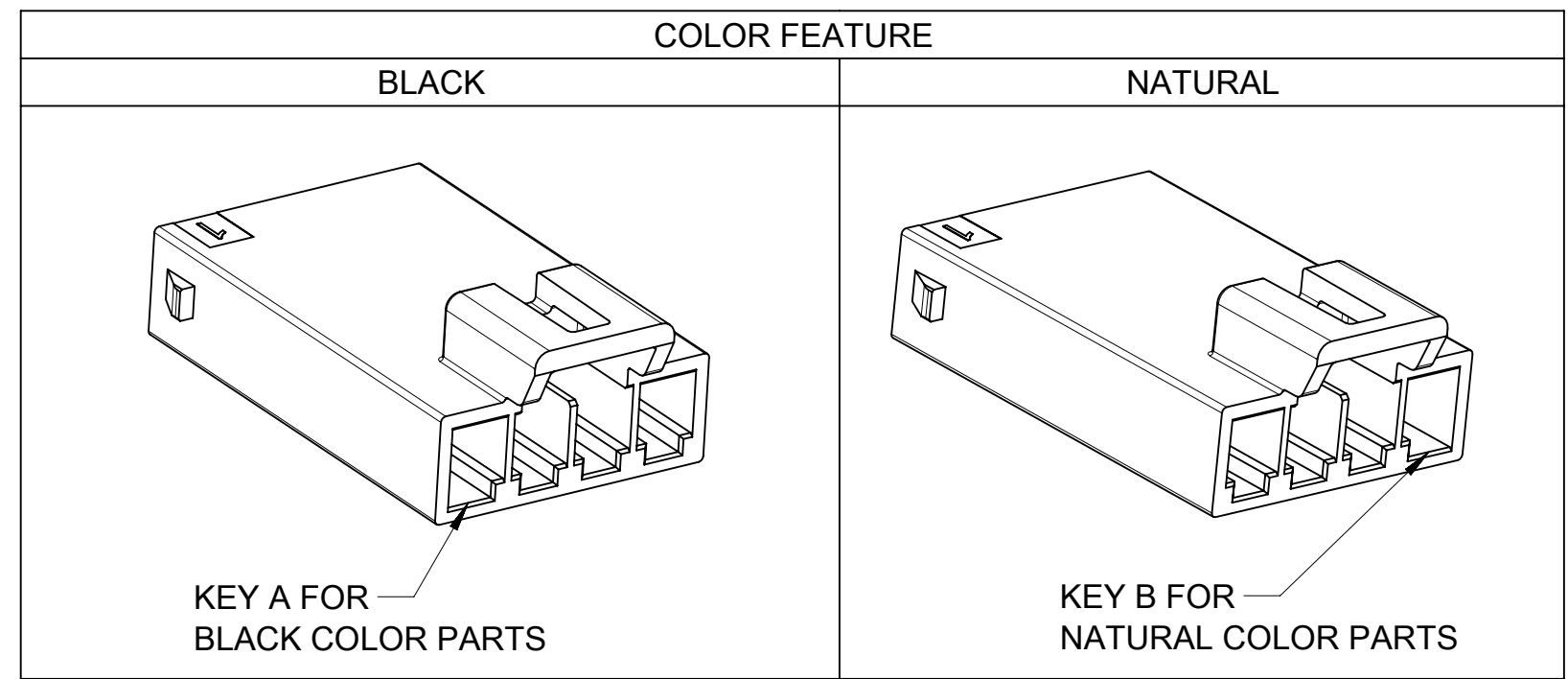
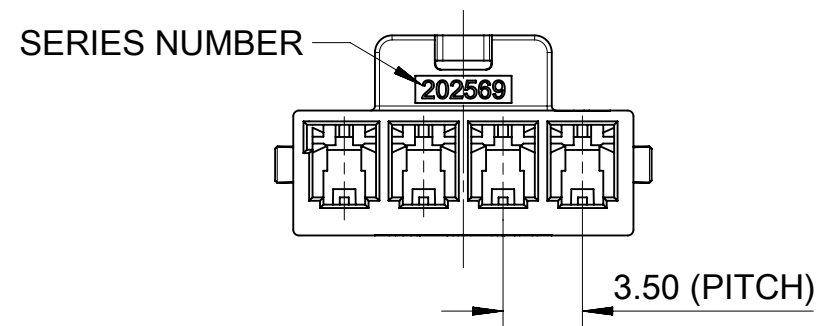
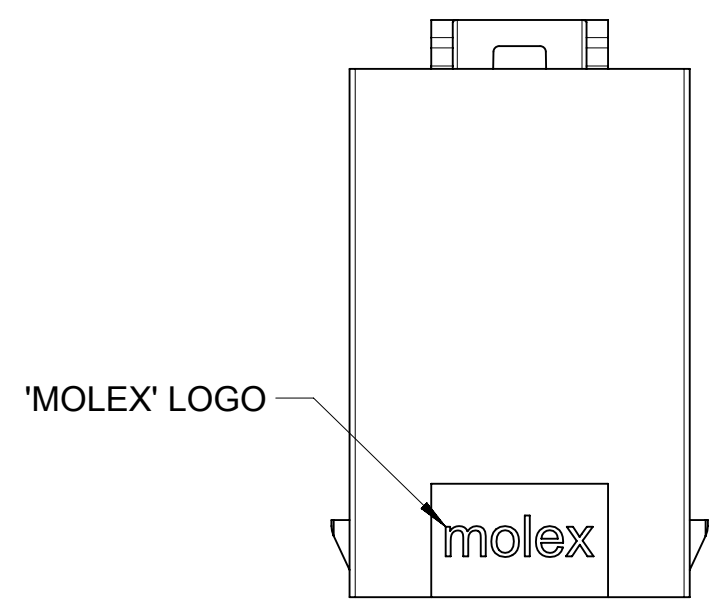
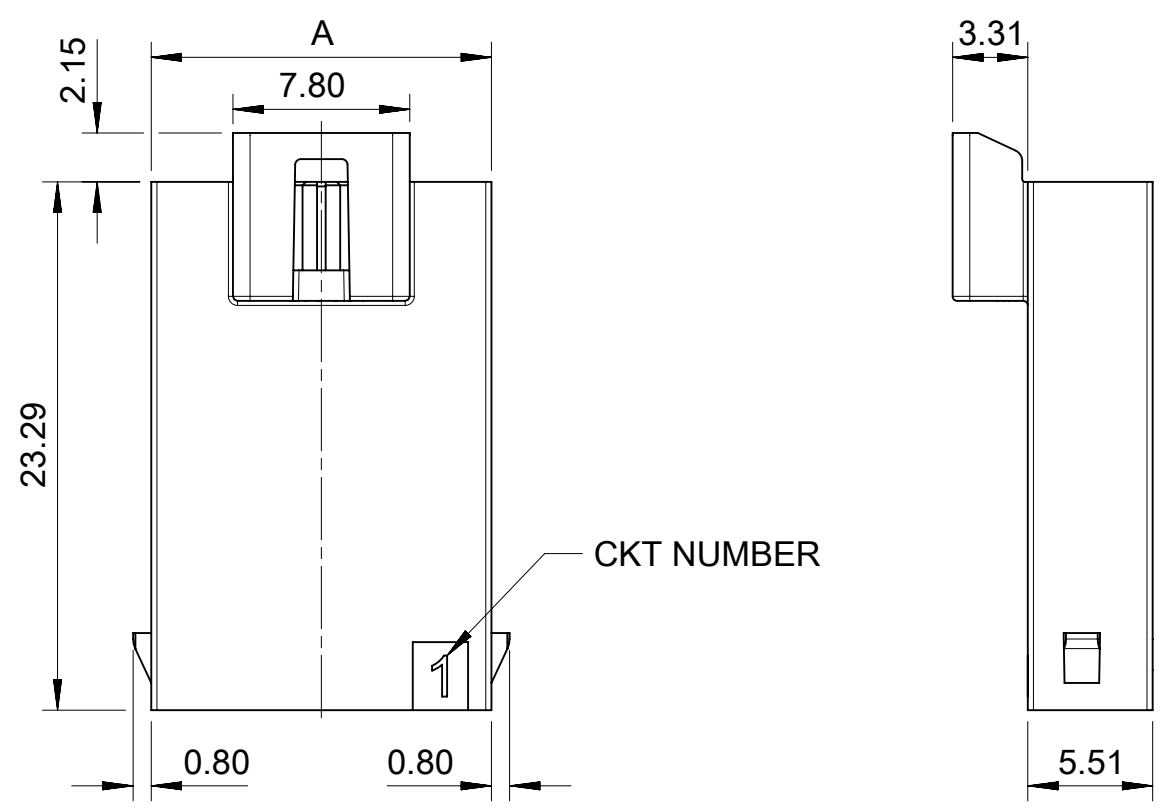


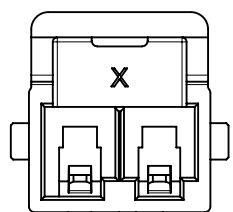
FREE HANGING PLUG PARTS

| PART NUMBER | CIRCUIT SIZE | DIM 'A' | COLOR | TYPE |
|-------------|--------------|---------|-------|--------------|
| 202569-3002 | 2 | 8.0 | BLACK | FREE HANGING |
| 202569-3003 | 3 | 11.5 | | |
| 202569-3004 | 4 | 15.0 | | |
| 202569-3005 | 5 | 18.5 | | |
| 202569-3006 | 6 | 22.0 | | |
| 202569-3007 | 7 | 25.5 | | |
| 202569-3008 | 8 | 29.0 | | |
| 202569-4002 | 2 | 8.0 | | |
| 202569-4003 | 3 | 11.5 | | |
| 202569-4004 | 4 | 15.0 | | |
| 202569-4005 | 5 | 18.5 | | |
| 202569-4006 | 6 | 22.0 | | |
| 202569-4007 | 7 | 25.5 | | |
| 202569-4008 | 8 | 29.0 | | |

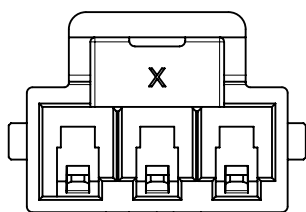


- NOTES:
1. MATERIAL: PA66, 94V-0, BLACK AND NATURAL.
 2. PRODUCT SPECIFICATION: 2169461000-PS.
 3. PACKAGE SPECIFICATION: 2025691000-PK.
 4. TO USE WITH TERMINAL OF 216946-****.
 5. TO USE WITH TPA OF 172264-****.
 6. TO MATE WITH RECEPTACLE OF 172256-****.
 7. PARTS CONFORM TO CLASS 'B' REQUIREMENTS OF COSMETIC SPECIFICATION PS-45499-002.

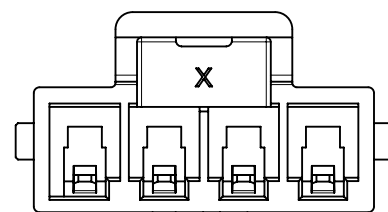
| | | | | | | |
|---|-------|---------------------------|---------|--|----------------|--|
| THIS DRAWING CONTAINS INFORMATION THAT IS PROPRIETARY TO MOLEX ELECTRONIC TECHNOLOGIES, LLC AND SHOULD NOT BE USED WITHOUT WRITTEN PERMISSION | | CURRENT REV DESC: | | molex | | |
| DIMENSION UNITS | SCALE | EC NO: 726545 | | | | |
| mm | NTS | DRWN: LEOW 2022/10/31 | | PLUG HOUSING OF ULTRA-FIT WTW SR POWER CONNECTOR | | |
| GENERAL TOLERANCES (UNLESS SPECIFIED) | | CHK'D: EDUGGER 2022/11/01 | | PRODUCT CUSTOMER DRAWING | | |
| ANGULAR TOL ± ° | | APPR: EDUGGER 2022/11/01 | | DOCUMENT NUMBER | | |
| 4 PLACES ± | | INITIAL REVISION: | | 2025691000-SD | | |
| 3 PLACES ± | | DRWN: GLLI 2021/07/06 | | DOC TYPE | | |
| 2 PLACES ± 0.2 | | APPR: EDUGGER 2022/11/01 | | PSD | | |
| 1 PLACE ± 0.3 | | SERIES | | 000 | | |
| 0 PLACES ± | | MATERIAL NUMBER | | A | | |
| DRAFT WHERE APPLICABLE MUST REMAIN WITHIN DIMENSIONS | | THIRD ANGLE PROJECTION | DRAWING | SHEET NUMBER | 1 OF 6 | |
| | | | A3-SIZE | 202569 | GENERAL MARKET | |



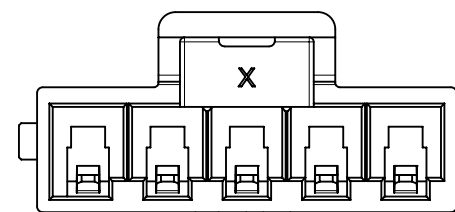
2CKT



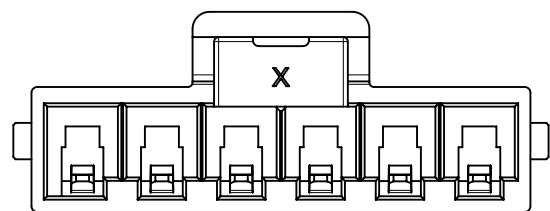
3CKT



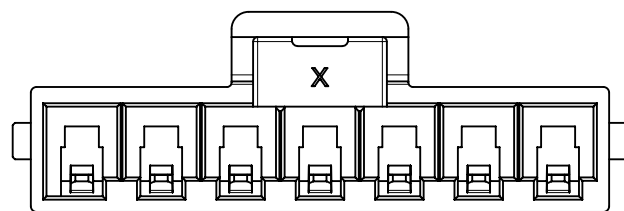
4CKT



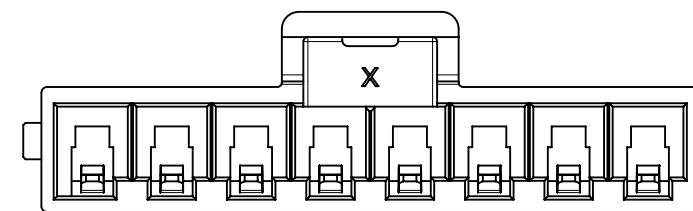
5CKT



6CKT



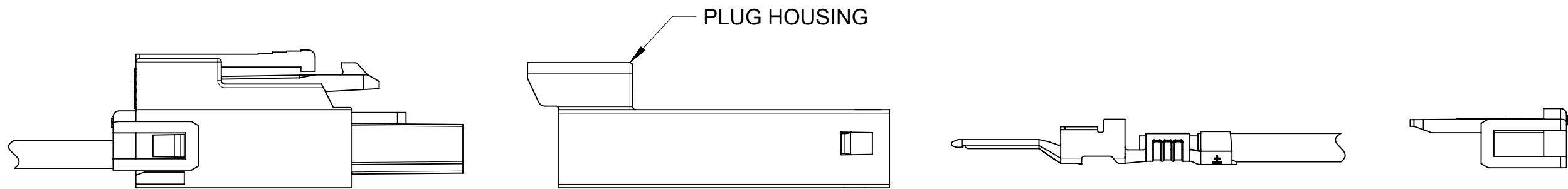
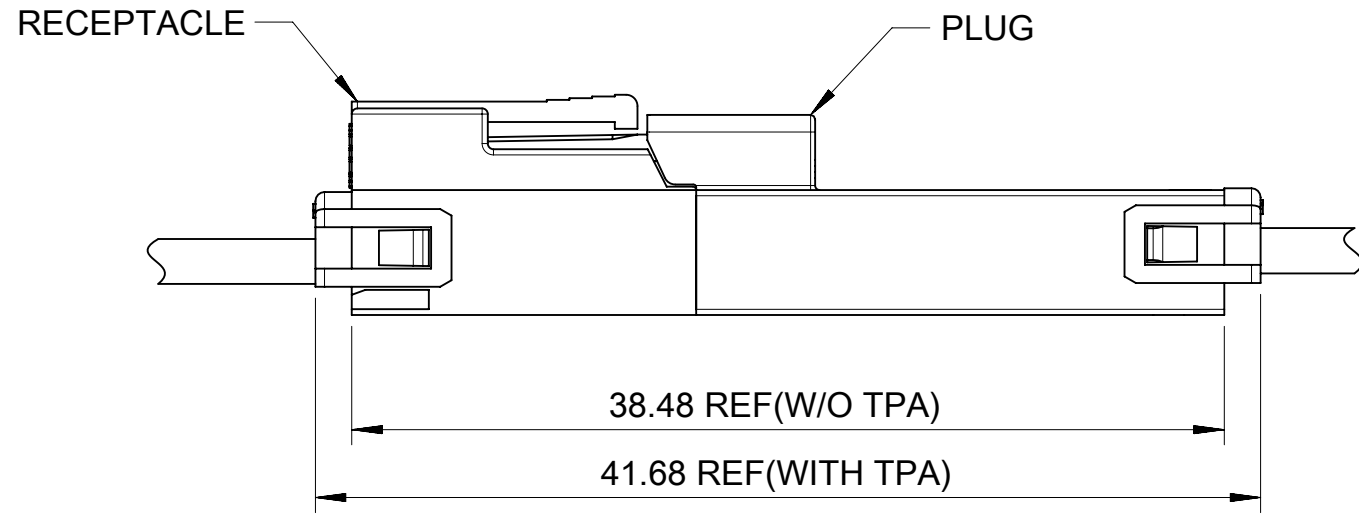
7CKT



8CKT

| | | | | | | | | | |
|---|-------|---------------------------|---------|--------|--|--|----------------|--|--------|
| THIS DRAWING CONTAINS INFORMATION THAT IS PROPRIETARY TO MOLEX ELECTRONIC TECHNOLOGIES, LLC AND SHOULD NOT BE USED WITHOUT WRITTEN PERMISSION | | | | | | | | | |
| DIMENSION UNITS | SCALE | CURRENT REV DESC: | | | molex | | | | |
| mm | NTS | | | | | | | | |
| GENERAL TOLERANCES (UNLESS SPECIFIED) | | EC NO: 726545 | | | PLUG HOUSING OF ULTRA-FIT WTW SR POWER CONNECTOR | | | | |
| ANGULAR TOL ± ° | | DRWN: LEOW 2022/10/31 | | | | | | | |
| 4 PLACES ± | | CHK'D: EDUGGER 2022/11/01 | | | PRODUCT CUSTOMER DRAWING | | | | |
| 3 PLACES ± | | APPR: EDUGGER 2022/11/01 | | | | | | | |
| 2 PLACES ± 0.2 | | INITIAL REVISION: | | | DOCUMENT NUMBER | | | | |
| 1 PLACE ± 0.3 | | DRWN: GLLI 2021/07/06 | | | | | | | |
| 0 PLACES ± | | APPR: EDUGGER 2022/11/01 | | | 2025691000-SD | | | | |
| DRAFT WHERE APPLICABLE MUST REMAIN WITHIN DIMENSIONS | | THIRD ANGLE PROJECTION | DRAWING | SERIES | | | | | |
| | | | A3-SIZE | 202569 | | | GENERAL MARKET | | 2 OF 6 |

FREE HANGING PLUG PARTS

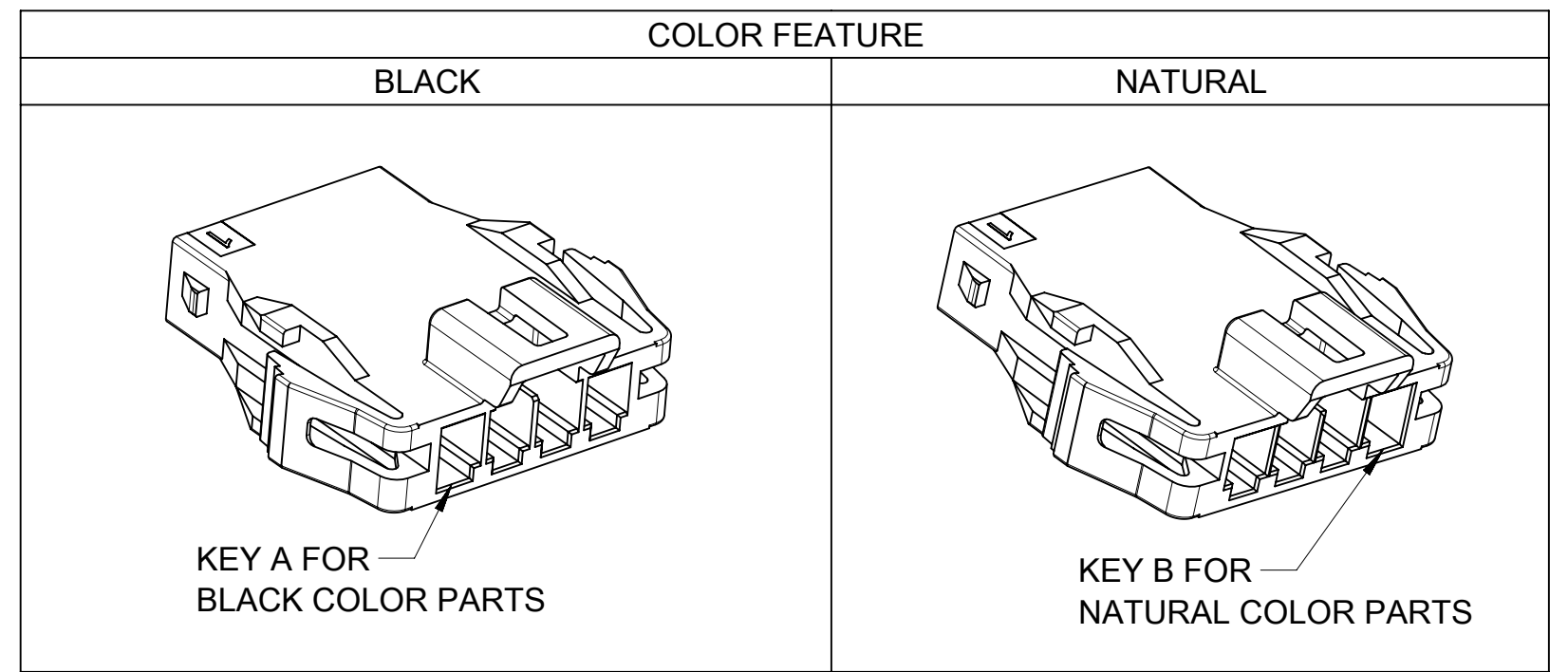
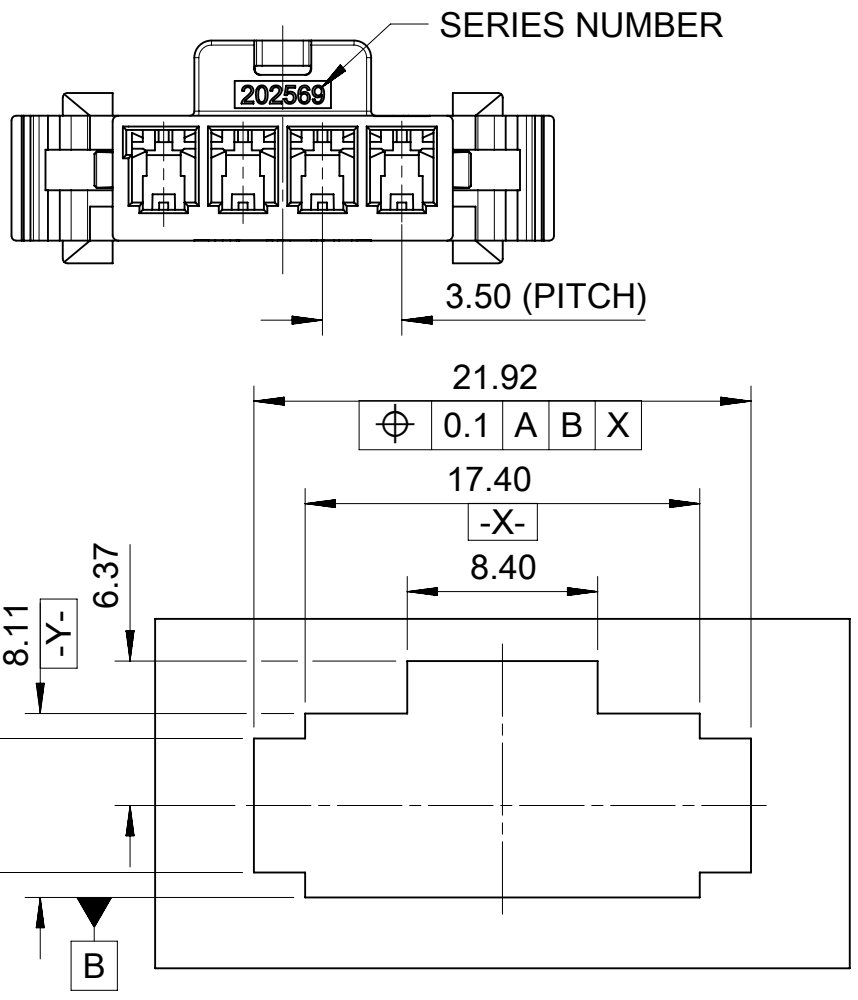
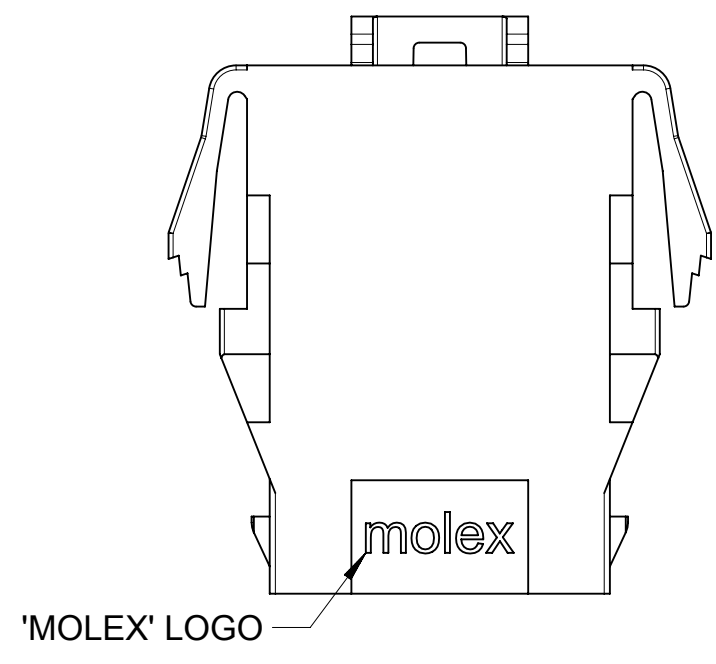
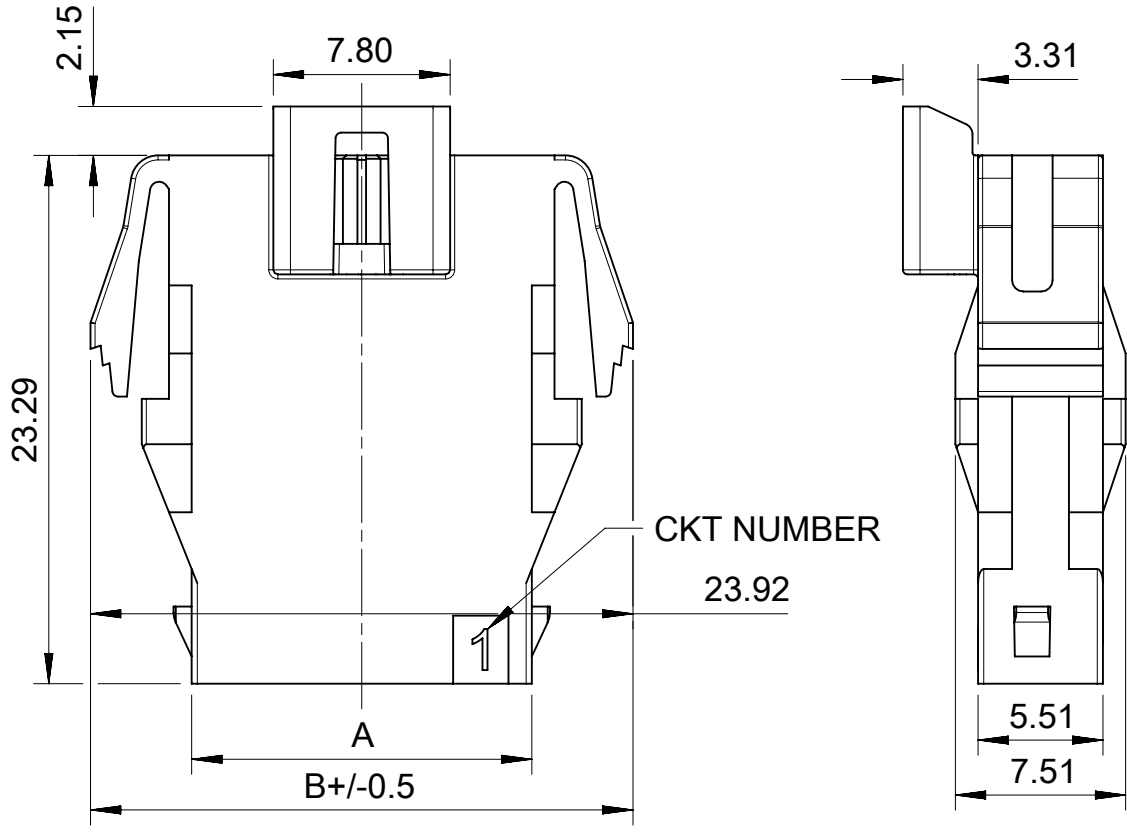


←
PLUG TERMINAL AND TPA ORIENTATION

| | | | | | | | | | |
|---|-------|------------------------|--------------|------------|----------|--|----------------|----------|---|
| THIS DRAWING CONTAINS INFORMATION THAT IS PROPRIETARY TO MOLEX ELECTRONIC TECHNOLOGIES, LLC AND SHOULD NOT BE USED WITHOUT WRITTEN PERMISSION | | | | | | | | | |
| DIMENSION UNITS | SCALE | CURRENT REV DESC: | | | | molex | | | |
| mm | NTS | | | | | | | | |
| GENERAL TOLERANCES (UNLESS SPECIFIED) | | | | | | PLUG HOUSING OF ULTRA-FIT WTW SR POWER CONNECTOR | | | |
| ANGULAR TOL | ± | | | | | PRODUCT CUSTOMER DRAWING | | | |
| 4 PLACES | ± | | | | | DOCUMENT NUMBER | | | |
| 3 PLACES | ± | | | | | 2025691000-SD | | | |
| 2 PLACES | ± | | | | | DOC TYPE | | | |
| 1 PLACE | ± | | | | | PSD | | | |
| 0 PLACES | ± | | | | | DOC PART | | | |
| DRAFT WHERE APPLICABLE MUST REMAIN WITHIN DIMENSIONS | | THIRD ANGLE PROJECTION | | DRAWING | SERIES | MATERIAL NUMBER | CUSTOMER | REVISION | |
| | | | | A3-SIZE | 202569 | | GENERAL MARKET | 000 | A |
| DOCUMENT STATUS | | P1 | RELEASE DATE | 2022/11/01 | 13:33:31 | SHEET NUMBER | | | |
| | | | | | | 3 OF 6 | | | |

PANEL MOUNT PLUG PARTS

| PART NUMBER | CIRCUIT SIZE | DIM 'A' | DIM 'B' | COLOR | TYPE |
|-------------|--------------|---------|---------|---------|-------------|
| 202569-3102 | 2 | 8.0 | 16.92 | BLACK | PANEL MOUNT |
| 202569-3103 | 3 | 11.5 | 20.42 | | |
| 202569-3104 | 4 | 15.0 | 23.92 | | |
| 202569-3105 | 5 | 18.5 | 27.42 | | |
| 202569-3106 | 6 | 22.0 | 30.92 | | |
| 202569-3107 | 7 | 25.5 | 34.42 | | |
| 202569-3108 | 8 | 29.0 | 37.92 | | |
| 202569-4102 | 2 | 8.0 | 16.92 | | |
| 202569-4103 | 3 | 11.5 | 20.42 | NATURAL | |
| 202569-4104 | 4 | 15.0 | 23.92 | | |
| 202569-4105 | 5 | 18.5 | 27.42 | | |
| 202569-4106 | 6 | 22.0 | 30.92 | | |
| 202569-4107 | 7 | 25.5 | 34.42 | | |
| 202569-4108 | 8 | 29.0 | 37.92 | | |



RECOMMENDED PANEL CUT OUT
(TOLERRANCE +/-0.05 THICKNESS=1.2~2.2MM)

| | | | | | |
|---|-------|-------------------|-----------------|--|--------------|
| THIS DRAWING CONTAINS INFORMATION THAT IS PROPRIETARY TO MOLEX ELECTRONIC TECHNOLOGIES, LLC AND SHOULD NOT BE USED WITHOUT WRITTEN PERMISSION | | CURRENT REV DESC: | | molex | |
| DIMENSION UNITS | SCALE | | | | |
| mm | NTS | | | PLUG HOUSING OF ULTRA-FIT WTW SR POWER CONNECTOR | |
| GENERAL TOLERANCES (UNLESS SPECIFIED) | | | | PRODUCT CUSTOMER DRAWING | |
| ANGULAR TOL | ± ° | | | DOCUMENT NUMBER | |
| 4 PLACES | ± | EC NO: 726545 | 2022/10/31 | 2025691000-SD | |
| 3 PLACES | ± | DRWN: LEOW | 2022/11/01 | DOC TYPE | DOC PART |
| 2 PLACES | ± 0.2 | CHK'D: EDUGGER | 2022/11/01 | PSD | 000 |
| 1 PLACE | ± 0.3 | APPR: EDUGGER | 2022/11/01 | REVISION | A |
| 0 PLACES | ± | INITIAL REVISION: | | | |
| DRAFT WHERE APPLICABLE MUST REMAIN WITHIN DIMENSIONS | | DRWN: GLLI | 2021/07/06 | | |
| THIRD ANGLE PROJECTION | | APPR: EDUGGER | 2022/11/01 | | |
| DRAWING | | SERIES | MATERIAL NUMBER | CUSTOMER | |
| A3-SIZE | | 202569 | GENERAL MARKET | | SHEET NUMBER |
| | | | | 4 OF 6 | |

10

9

8

7

6

5

4

3

2

1

F

F

E

E

D

D

C

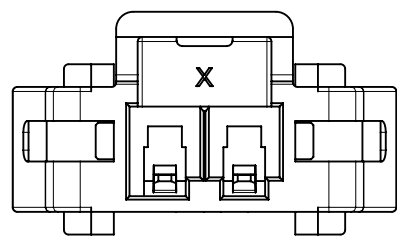
C

B

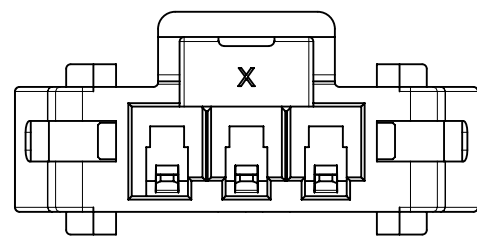
B

A

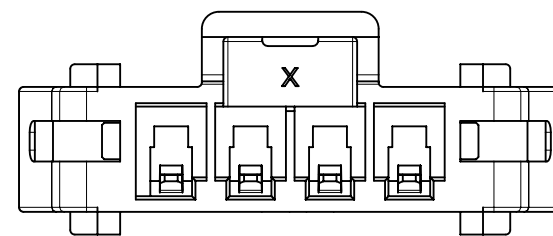
A



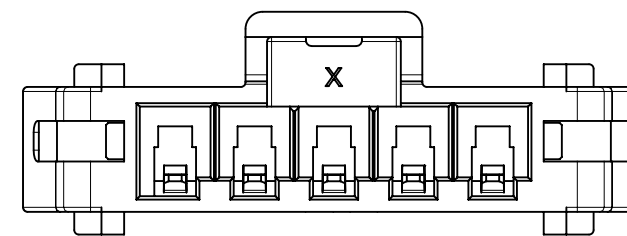
2CKT



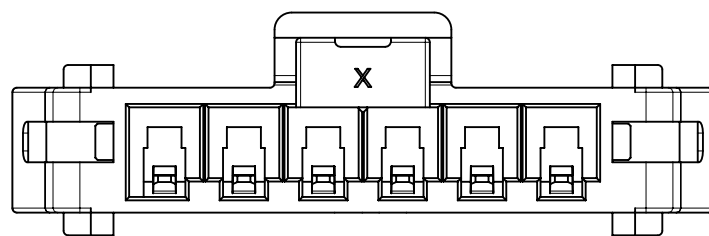
3CKT



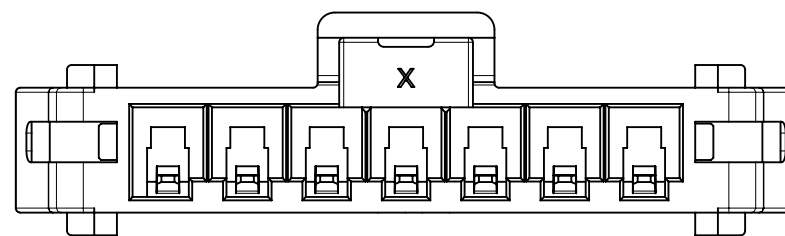
4CKT



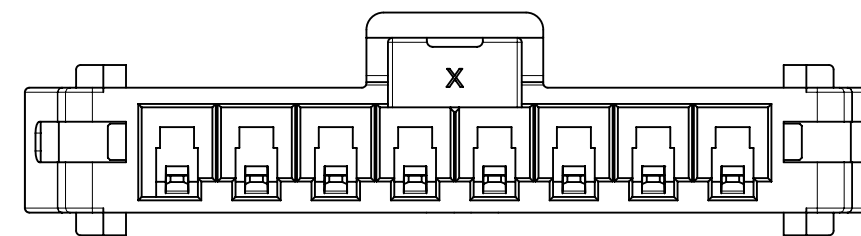
5CKT



6CKT



7CKT



8CKT

| | | | | | | | | | | | |
|---|--|-------|--|---------------------------|--|--------------|--|---------------------|--|--|--|
| THIS DRAWING CONTAINS INFORMATION THAT IS PROPRIETARY TO MOLEX ELECTRONIC TECHNOLOGIES, LLC AND SHOULD NOT BE USED WITHOUT WRITTEN PERMISSION | | | | | | | | | | | |
| DIMENSION UNITS | | SCALE | | CURRENT REV DESC: | | | | | | | |
| mm | | NTS | | | | | | | | | |
| GENERAL TOLERANCES (UNLESS SPECIFIED) | | | | EC NO: 726545 | | | | | | PLUG HOUSING OF ULTRA-FIT WTW SR POWER CONNECTOR | |
| ANGULAR TOL ± ° | | | | DRWN: LEOW 2022/10/31 | | | | | | PRODUCT CUSTOMER DRAWING | |
| 4 PLACES ± | | | | CHK'D: EDUGGER 2022/11/01 | | | | | | DOCUMENT NUMBER | |
| 3 PLACES ± | | | | APPR: EDUGGER 2022/11/01 | | | | | | 2025691000-SD | |
| 2 PLACES ± 0.2 | | | | INITIAL REVISION: | | | | | | DOC TYPE | |
| 1 PLACE ± 0.3 | | | | DRWN: GLLI 2021/07/06 | | | | | | PSD | |
| 0 PLACES ± | | | | APPR: EDUGGER 2022/11/01 | | | | | | DOC PART | |
| DRAFT WHERE APPLICABLE MUST REMAIN WITHIN DIMENSIONS | | | | THIRD ANGLE PROJECTION | | DRAWING | | SERIES | | REVISION | |
| | | | | | | A3-SIZE | | 202569 | | A | |
| DOCUMENT STATUS | | | | P1 | | RELEASE DATE | | 2022/11/01 13:33:31 | | SHEET NUMBER | |
| | | | | 9 | | 8 | | 7 | | 5 OF 6 | |

9

8

7

6

5

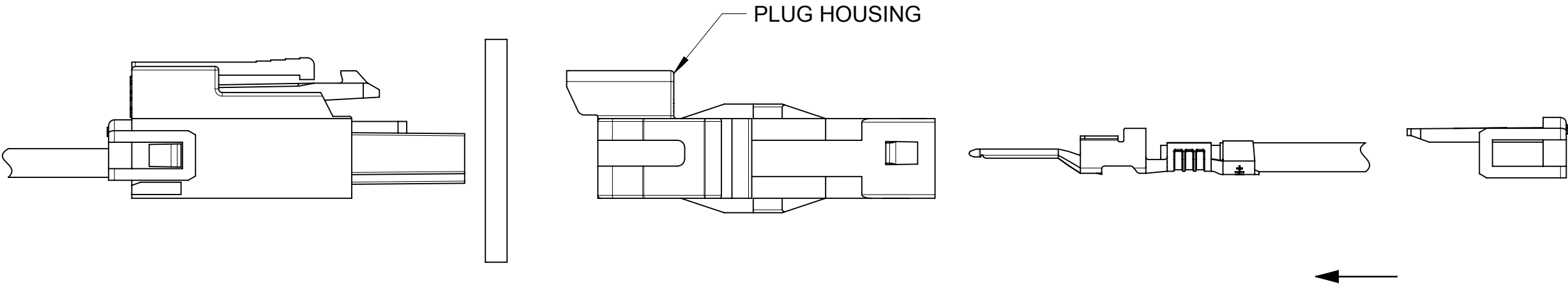
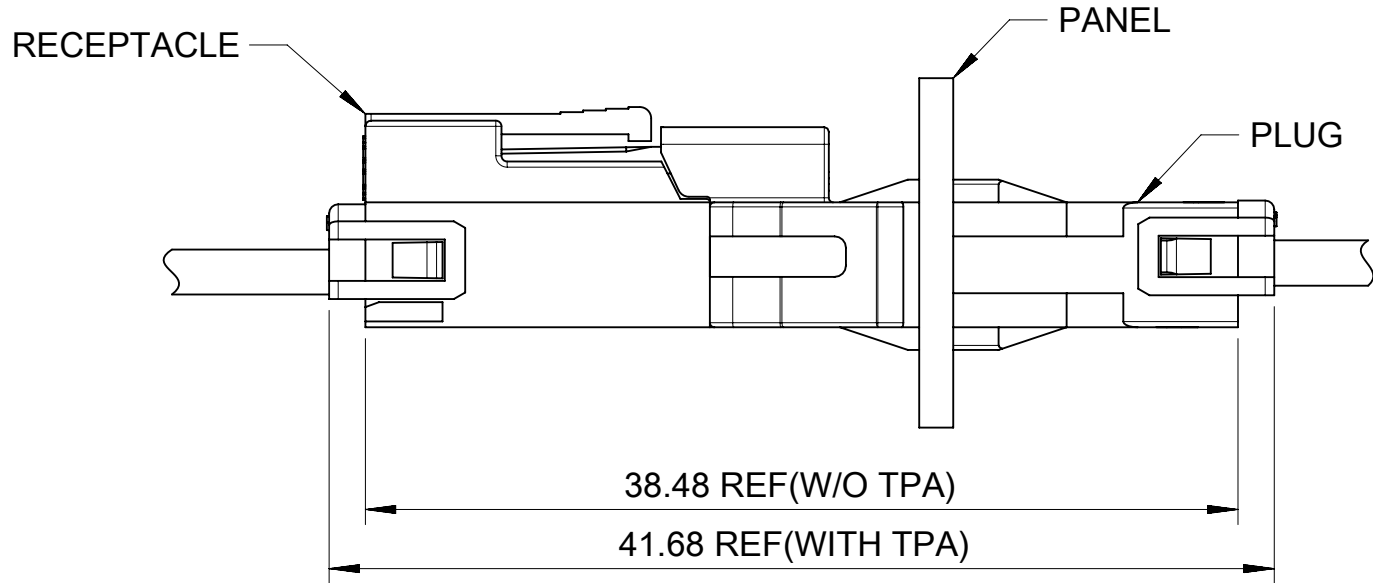
4

3

2

1

PANEL MOUNT PLUG PARTS



←
PLUG TERMINAL AND TPA ORIENTATION

| | | | | | | | | | | | | |
|---|--|-------|--|---|--|----------------|--|--|--|----------|----------|--------------|
| THIS DRAWING CONTAINS INFORMATION THAT IS PROPRIETARY TO MOLEX ELECTRONIC TECHNOLOGIES, LLC AND SHOULD NOT BE USED WITHOUT WRITTEN PERMISSION | | | | | | | | | | | | |
| DIMENSION UNITS | | SCALE | | CURRENT REV DESC: | | | | molex | | | | |
| mm | | NTS | | | | | | | | | | |
| GENERAL TOLERANCES (UNLESS SPECIFIED) | | | | EC NO: 726545 DRWN: LEOW 2022/10/31 CHK'D: EDUGGER 2022/11/01 APPR: EDUGGER 2022/11/01 INITIAL REVISION: DRWN: GLLI 2021/07/06 APPR: EDUGGER 2022/11/01 | | | | PLUG HOUSING OF ULTRA-FIT WTW SR POWER CONNECTOR | | | | |
| ANGULAR TOL ± ° | | | | | | | | PRODUCT CUSTOMER DRAWING | | | | |
| 4 PLACES ± | | | | | | | | DOCUMENT NUMBER | | DOC TYPE | DOC PART | REVISION |
| 3 PLACES ± | | | | | | | | 2025691000-SD | | PSD | 000 | A |
| 2 PLACES ± 0.2 | | | | | | | | MATERIAL NUMBER | | CUSTOMER | | SHEET NUMBER |
| 1 PLACE ± 0.3 | | | | A3-SIZE | | GENERAL MARKET | | 6 OF 6 | | | | |
| 0 PLACES ± | | | | SERIES | | | | | | | | |
| DRAFT WHERE APPLICABLE MUST REMAIN WITHIN DIMENSIONS | | | | THIRD ANGLE PROJECTION | | | | | | | | |