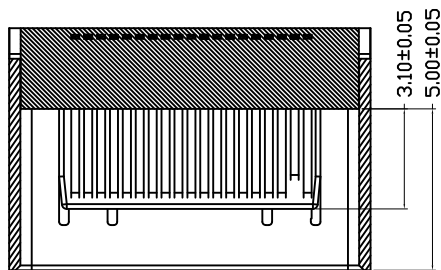
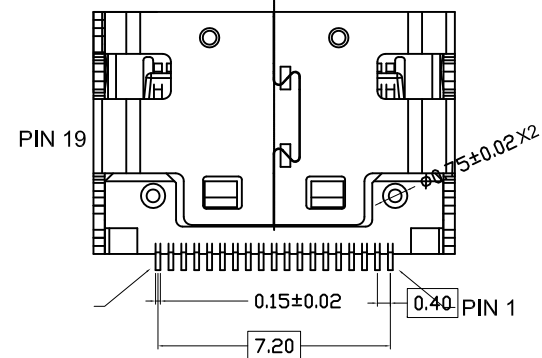
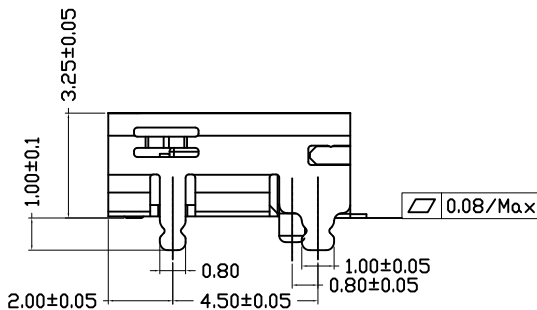
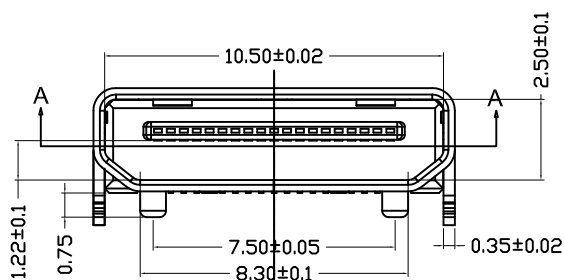


RECOMMENDED PCB LAYOUT



SEC A-A
SCALE 1:1

SPECIFICATION:

- 1.MATING FORCE:44.1N MAX
- 2.UNMATING FORCE:7-25N
- 3.DURABILITY: 5000 CYCLES MIN
- 4.CURRENT:0.5A
- 5.VOLTAGE:40V MAX
- 6.WITHSTANDING VOLTAGE:500V AC MIN.(UNMATED)
- 7.CONTACT RESISTANCE:30MN MAX.
- 8.INSULATION RESISTANCE:100MN MIN.(UNMATED)
- 9.OPERATING TEMPERATURE RANGE:-20.C TO +85.C
- 10.ALL THE MATERIAL SHOULD COMPLY WITH THE ROHS REQUIREMENT.

Type C pin	Signal Name
1	TMDS Data2 Shield
2	TMDS Data2+
3	TMDS Data2-
4	TMDS Data1 Shield
5	TMDS Data1+
6	TMDS Data1-
7	TMDS Data0 Shield
8	TMDS Data0+
9	TMDS Data0-
10	TMDS Clock Shield
11	TMDS Clock+
12	TMDS Clock-
13	DDC/CEC Ground
14	CEC
15	SCL
16	SDA
17	Utility
18	+5V Power
19	Hot Plug Detect

Discription	Q'TY	Material	Treatment
DIP Shell	1	Copper Alloy	Solderable Ni
Terminal	19	Copper Alloy	Gold Plating Of Contact
Housing	1	High Temperature Thermoplastic	UL94V-0 Color: Black

09/14-15	yang		NEW DRAWING		AO
DATE	DR.BY	ECN.NO.	DESCRIPTION	MARK	VER.
-TOLERANCES- UNLESS OTHERWISE SPECIFIED 公差参考表			<h1 style="text-align: center;">CnC Tech, LLC</h1>		
TITLE: HDMI 19P C TYPE FEMALE SMT SHELL DIP			PRODUCT NO: 2001-1-2-21-00-BK		
X.X ±0.30	X.X° ±3.00°	APPD:	DATE	SCALE	UNIT
X.XX ±0.20	X.XX° ±1.00°	CHECK:	2015.09.14	1:1	mm
X.XXX ±0.10	X.XXX° ±0.500°	DRAW:			
			TYPE	PAGE	
			Z	1/1	