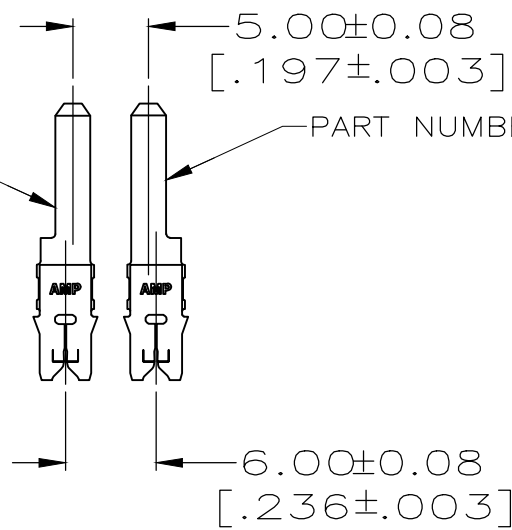
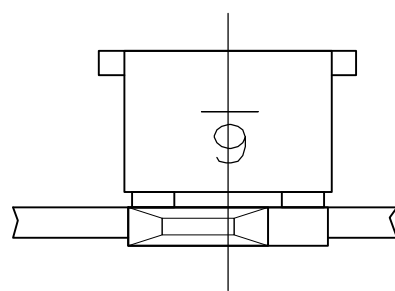


THIS DRAWING IS UNPUBLISHED. RELEASED FOR PUBLICATION
 © COPYRIGHT - By - ALL RIGHTS RESERVED.

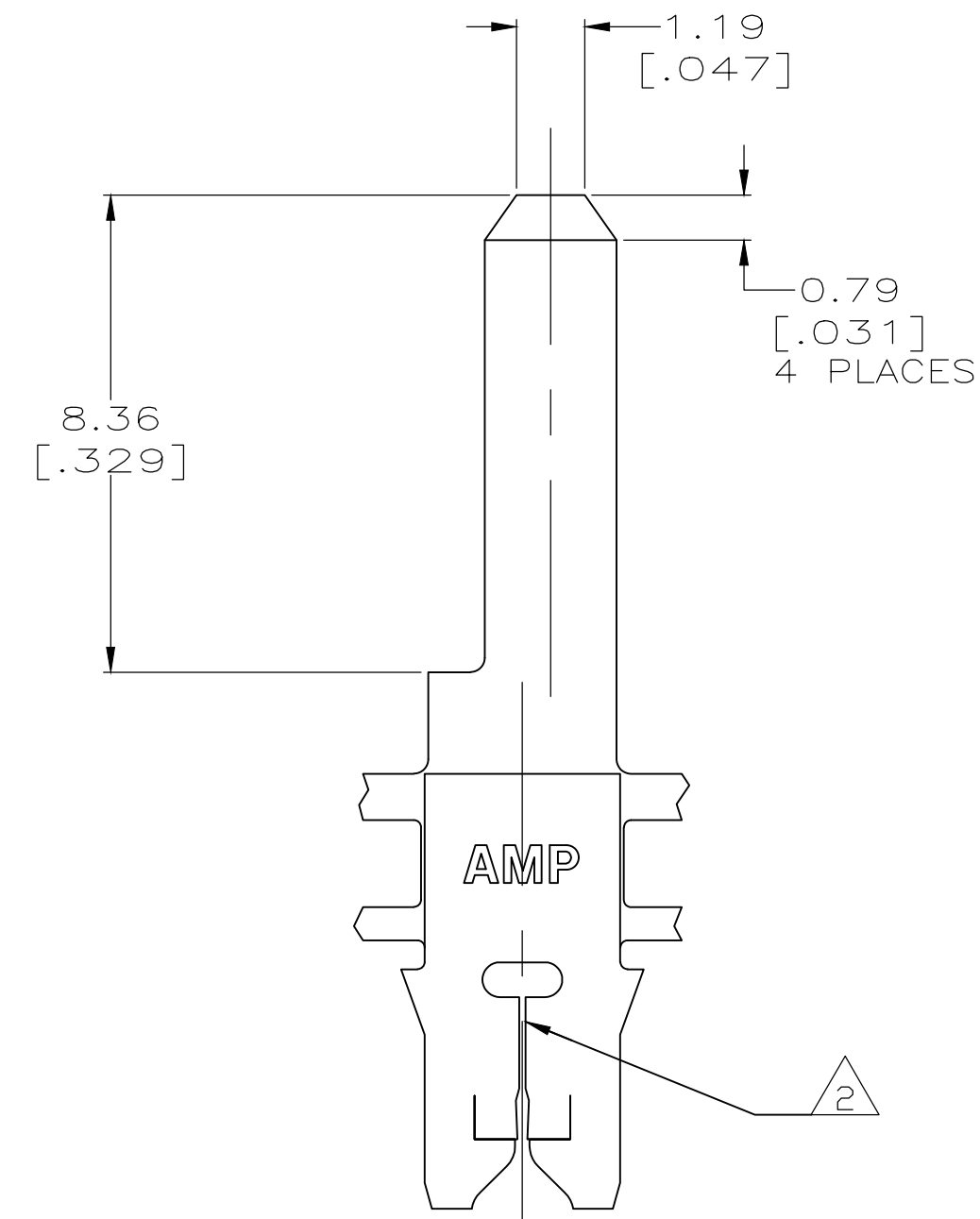
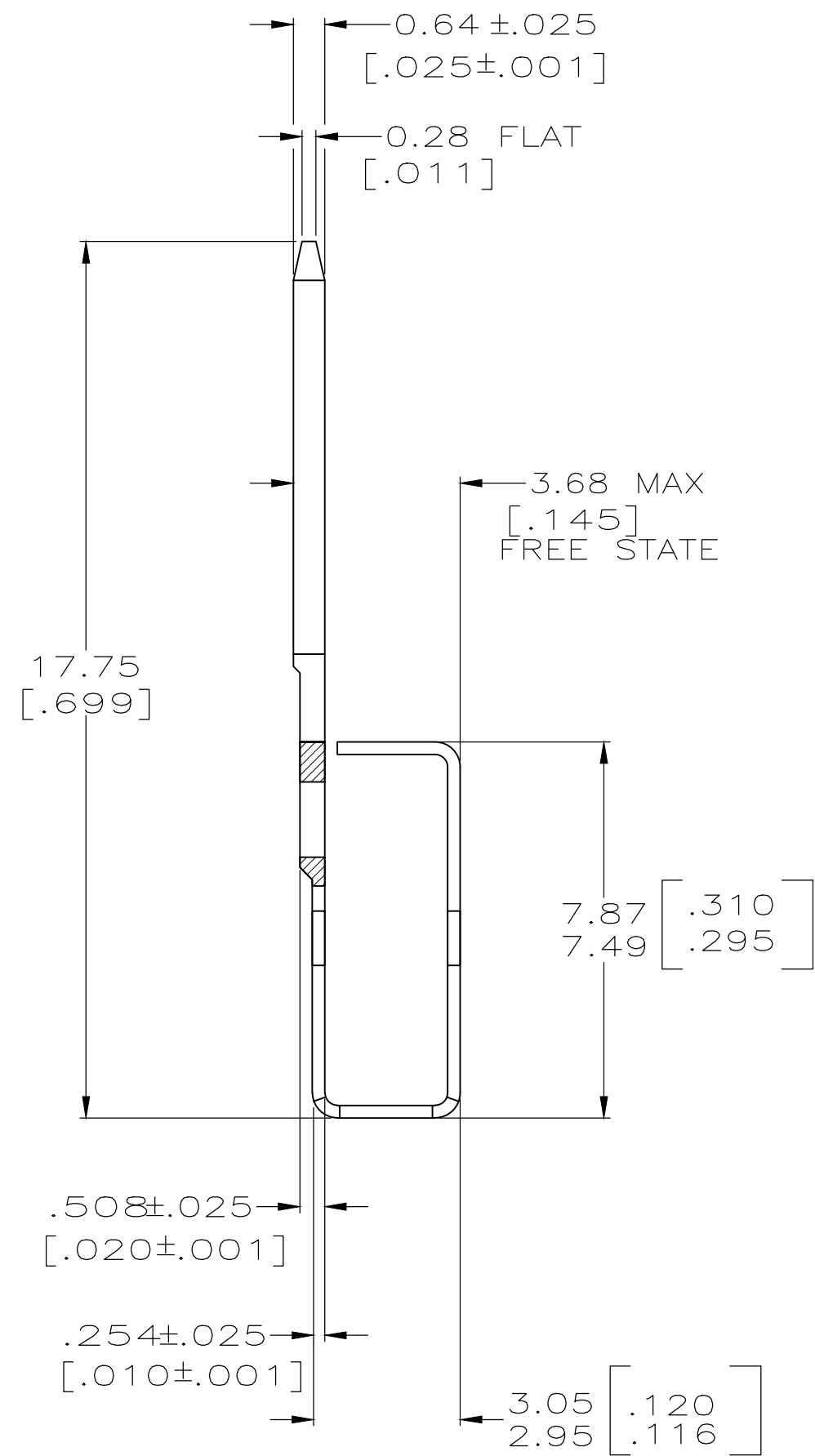
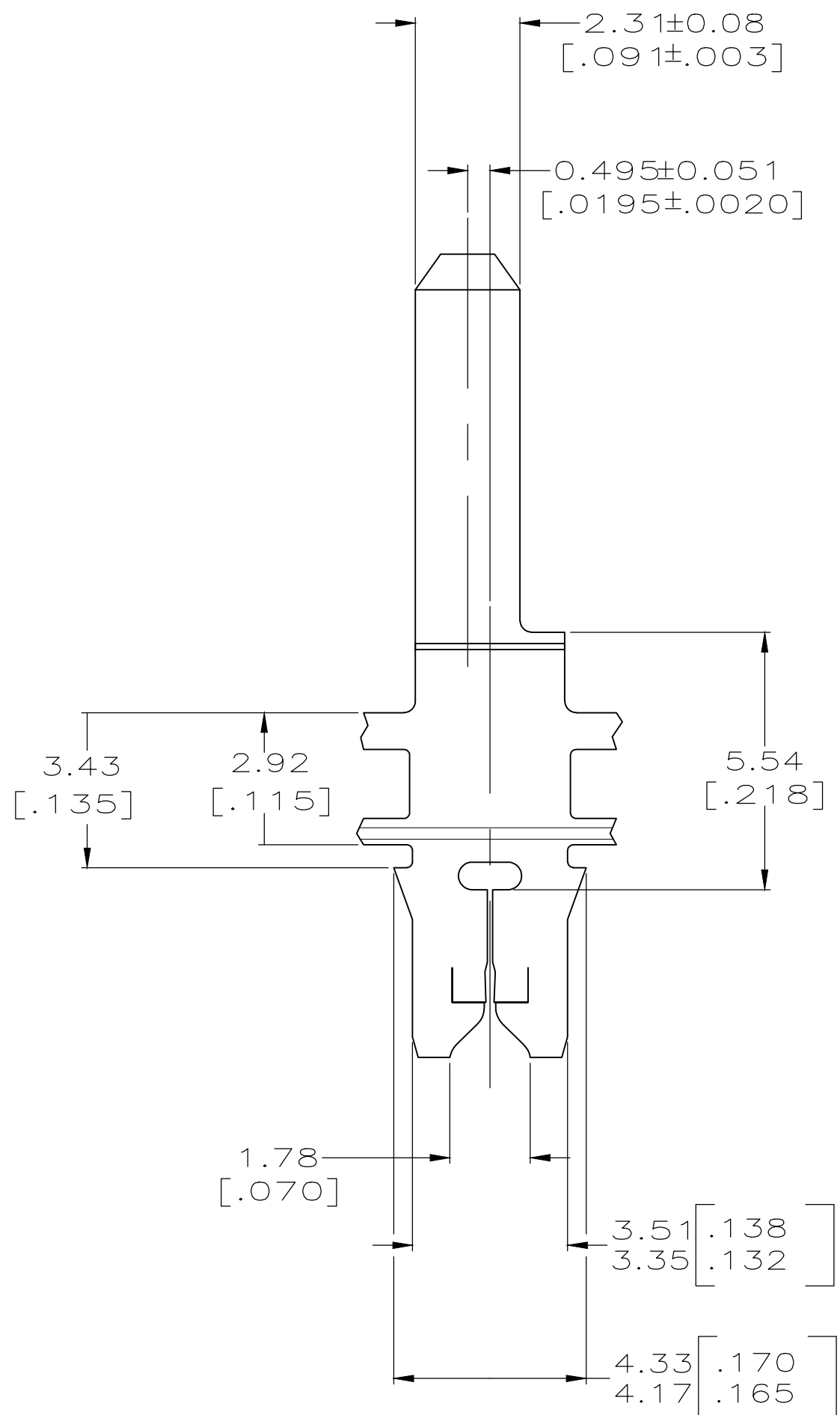
LOC	DIST	REVISIONS					
AF	50	P	LTR	DESCRIPTION	DATE	DWN	APVD
		D2		REVISED PER ECR-18-006427	10AMAY2018	BW	SV

PART NUMBER 1217052-1 PART NUMBER 1217051-1



INSERTED DIMENSIONS
SCALE 2:1

- 1 CONTINUOUS STRIP ON REELS WITH TERMINALS LOCATED ON 5.59±0.08 [.220±.003] CENTERS
- 2 SLOT TERMINATES EITHER A SINGLE OR DOUBLE MAGNET WIRE OF THE SAME TYPE AND SIZE, COPPER RANGE: 0.25-0.36mm [#30-#27] AWG. ALUMINIUM RANGE: 0.32-0.45mm [#28-#25] AWG. ALUMINIUM WIRE RANGE IS APPLICABLE FOR POST TIN PLATED PART NOS ONLY
- 3 SPECIAL PACKAGE MARKINGS- ORANGE COLOR CODE TAG NEXT TO REEL TAG



1217052-1
PART NUMBER

THIS DRAWING IS A CONTROLLED DOCUMENT.		DWN MICHAEL S. FEHER 19JAN98	STE TE Connectivity	
DIMENSIONS: INCHES		CHK RICHARD GRZYBOWSKI 20JAN98		
TOLERANCES UNLESS OTHERWISE SPECIFIED:		APVD NELSON E. NEFF 21JAN98	NAME TAB, 2.31 [.091], RIGHT HAND, MAG-MATE	
0 PLC ± -		PRODUCT SPEC 108-2012	SIZE A2	
1 PLC ± -		APPLICATION SPEC 114-2046	CAGE CODE 00779	DRAWING NO C=1217052
2 PLC ± 0.13 [.005]		MATERIAL BRASS	WEIGHT	RESTRICTED TO
3 PLC ± -		FINISH TIN PLATED	SCALE 8:1	SHEET 1 of 1
4 PLC ± -			CUSTOMER DRAWING	REV D2
ANGLES ± -				