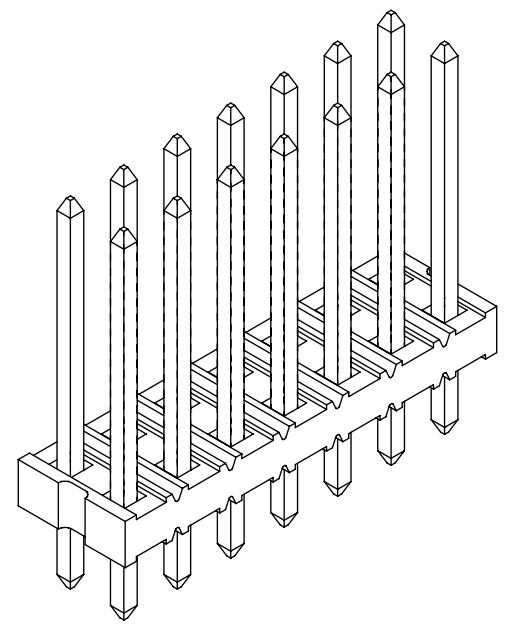
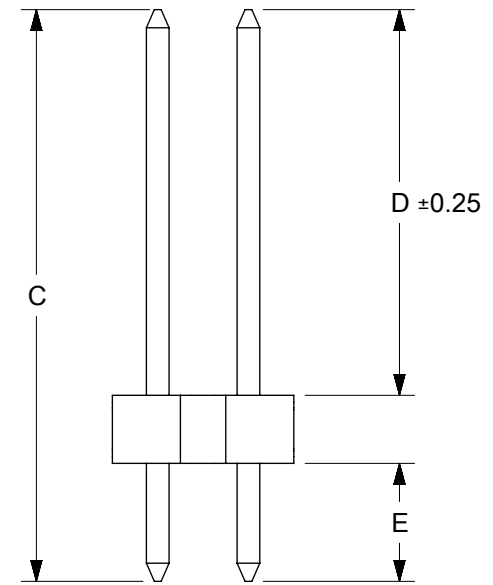
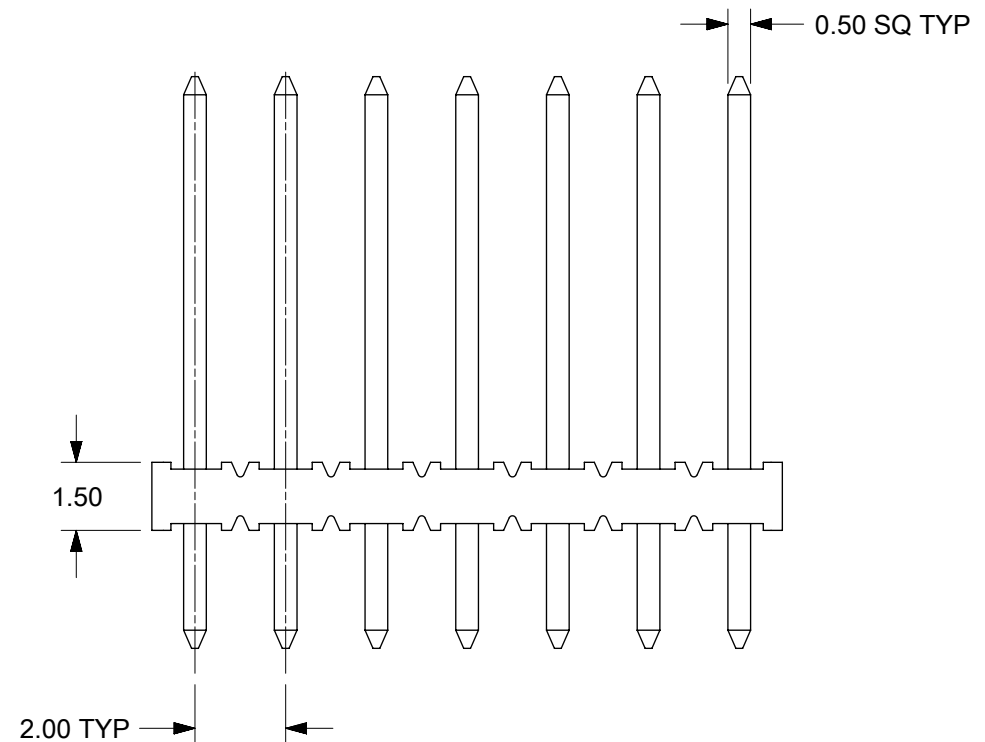


RECOMMENDED PCB HOLE LAYOUT



**NOTES:**

1. MATERIAL:
  - HOUSING: 30% G.F. NYLON 46, UL94V-0,
  - COLOR: BLACK
  - TERMINAL: COPPER ALLOY 0.50mm SQ
2. PLATING TYPE:
  - (1) GOLD FLASH OVER  
50 MICRO INCHES MIN. NICKEL OVERALL.
  - (2) 1 MICRO INCHES MIN. GOLD PLATE ON CONTACT AND  
75 MICRO INCHES MIN. TIN ON SOLDERTAIL OVER  
50 MICRO INCHES MIN. NICKEL OVERALL.
  - (3) 10 MICRO INCHES MIN. GOLD PLATE ON CONTACT AND  
75 MICRO INCHES MIN. TIN ON SOLDERTAIL OVER  
50 MICRO INCHES MIN. NICKEL OVERALL.
  - (4) 15 MICRO INCHES MIN. GOLD PLATE ON CONTACT AND  
75 MICRO INCHES MIN. TIN ON SOLDERTAIL OVER  
50 MICRO INCHES MIN. NICKEL OVERALL.
  - (5) 30 MICRO INCHES MIN. GOLD PLATE ON CONTACT AND  
75 MICRO INCHES MIN. TIN ON SOLDERTAIL OVER  
50 MICRO INCHES MIN. NICKEL OVERALL.
  - (6) 100 MICRO INCHES MIN. TIN IN SELECTED AREA OVER  
50 MICRO INCHES MIN. NICKEL OVERALL.
3. PIN PUSHOUT FORCE: 1KG MIN IN EITHER DIRECTION
4. THE ABOVE 14 CKT IS FOR ILLUSTRATION PURPOSE ONLY.
5. FOR PACKAGING OPTION PLEASE REFER TO THE TABLE.
6. CAP TO BE PLACED AT APPROXIMATELY CENTRAL OF THE DIM. B

THIS DRAWING CONTAINS INFORMATION THAT IS PROPRIETARY TO MOLEX ELECTRONIC TECHNOLOGIES, LLC AND SHOULD NOT BE USED WITHOUT WRITTEN PERMISSION									
DIMENSION UNITS		SCALE		CURRENT REV DESC: BRIGHT TIN PHASE OUT				<b>molex</b>	
mm		NTS							
GENERAL TOLERANCES (UNLESS SPECIFIED)				EC NO: 679909		SALES DRAWING		2.00MM DUAL ROW HEADER SINGLE WAFER T/H	
				DRWN: AKUMAR19		PRODUCT CUSTOMER DRAWING			
				CHK'D: MRAMAKRISHNA		DOCUMENT NUMBER		DOC TYPE   DOC PART   REVISION	
4 PLACES ±				APPR: MRAMAKRISHNA		SD-87758-030		PSD   001   B2	
3 PLACES ±				INITIAL REVISION:		SERIES		MATERIAL NUMBER	
2 PLACES ± 0.2				DRWN: KCHO		87758		CUSTOMER	
1 PLACE ±				APPR: SLOW		SEE TABLE		GENERAL MARKET	
0 PLACES ±				ANGULAR TOL ± 3.0°		SHEET NUMBER		1 OF 4	
DRAFT WHERE APPLICABLE MUST REMAIN WITHIN DIMENSIONS				THIRD ANGLE PROJECTION		DRAWING		A3-SIZE	

DOCUMENT STATUS	P1	RELEASE DATE	2021/10/11	11:53:16
-----------------	----	--------------	------------	----------

PACKAGING OPRTION PART NO.			CKT SIZE	VOID POSITION	PLATING TYPE	CAP	PEG	DIMENSION				
TRAY	TUBE WITHOUT CAP	TUBE WITH CAP						A	B	C	D	E
87758-0201	----	----	2	----	1	N	N	1.90	----	12.60	8.50	2.60
87758-0202	----	----	2	----	2	N	N	1.90	----	12.60	8.50	2.60
87758-0203	----	----	2	----	3	N	N	1.90	----	12.60	8.50	2.60
87758-0204	----	----	2	----	4	N	N	1.90	----	12.60	8.50	2.60
87758-0205	----	----	2	----	5	N	N	1.90	----	12.60	8.50	2.60
87758-0206	----	----	2	----	6	N	N	1.90	----	12.60	8.50	2.60
87758-0401	----	----	4	----	1	N	N	3.90	2.00	12.60	8.50	2.60
87758-0402	----	----	4	----	2	N	N	3.90	2.00	12.60	8.50	2.60
87758-0403	----	----	4	----	3	N	N	3.90	2.00	12.60	8.50	2.60
87758-0404	----	----	4	----	4	N	N	3.90	2.00	12.60	8.50	2.60
87758-0405	----	----	4	----	5	N	N	3.90	2.00	12.60	8.50	2.60
87758-0406	----	----	4	----	6	N	N	3.90	2.00	12.60	8.50	2.60
87758-0420	----	---	4	----	5	N	N	3.90	2.00	15.50	11.50	2.50
87758-0601	----	----	6	----	1	N	N	5.90	4.00	12.60	8.50	2.60
87758-0602	----	----	6	----	2	N	N	5.90	4.00	12.60	8.50	2.60
87758-0603	----	----	6	----	3	N	N	5.90	4.00	12.60	8.50	2.60
87758-0604	----	----	6	----	4	N	N	5.90	4.00	12.60	8.50	2.60
87758-0605	----	----	6	----	5	N	N	5.90	4.00	12.60	8.50	2.60
87758-0606	----	----	6	----	6	N	N	5.90	4.00	12.60	8.50	2.60
87758-0620	----	----	6	----	5	N	N	5.90	4.00	15.50	11.50	2.50
87758-0647	----	----	6	----	4	N	N	5.90	4.00	11.45	6.85	3.10

PACKAGING OPRTION PART NO.			CKT SIZE	VOID POSITION	PLATING TYPE	CAP	PEG	DIMENSION				
TRAY	TUBE WITHOUT CAP	TUBE WITH CAP						A	B	D	C	E
87758-0801	----	----	8	----	1	N	N	7.90	6.00	12.60	8.50	2.60
87758-0802	----	----	8	----	2	N	N	7.90	6.00	12.60	8.50	2.60
87758-0803	----	----	8	----	3	N	N	7.90	6.00	12.60	8.50	2.60
87758-0804	----	----	8	----	4	N	N	7.90	6.00	12.60	8.50	2.60
87758-0805	----	----	8	----	5	N	N	7.90	6.00	12.60	8.50	2.60
87758-0806	----	----	8	----	6	N	N	7.90	6.00	12.60	8.50	2.60
87758-0846	----	----	8	----	4	N	N	7.90	6.00	6.38	10.50	2.60
87758-0008	----	----	8	----	4	N	N	7.90	6.00	10.00	14.10	2.60
87758-0808	----	----	8	----	5	N	N	7.90	6.00	9.70	4.00	4.20
87758-0820	----	----	8	----	1	N	N	7.90	6.00	11.50	5.00	5.00
87758-1001	----	----	10	----	1	N	N	9.90	8.00	12.60	8.50	2.60
87758-1002	----	----	10	----	2	N	N	9.90	8.00	12.60	8.50	2.60
87758-1003	----	----	10	----	3	N	N	9.90	8.00	12.60	8.50	2.60
87758-1004	----	----	10	----	4	N	N	9.90	8.00	12.60	8.50	2.60
87758-1005	----	----	10	----	5	N	N	9.90	8.00	12.60	8.50	2.60
87758-1006	----	----	10	----	6	N	N	9.90	8.00	12.60	8.50	2.60
87758-1007	----	----	10	10	4	N	N	9.90	8.00	8.10	4.00	2.60
87758-1008	----	----	10	10	5	N	N	9.90	8.00	8.70	4.00	3.20
87758-1012	----	----	10	----	4	N	N	9.90	8.00	11.75	7.65	2.60
87758-1020	B1	----	10	2	1	N	N	9.90	8.00	4.00	9.50	4.00
87758-1201	----	----	12	----	1	N	N	11.90	10.00	12.60	8.50	2.60
87758-1202	----	----	12	----	2	N	N	11.90	10.00	12.60	8.50	2.60
87758-1203	----	----	12	----	3	N	N	11.90	10.00	12.60	8.50	2.60
87758-1204	----	----	12	----	4	N	N	11.90	10.00	12.60	8.50	2.60
87758-1205	----	----	12	----	5	N	N	11.90	10.00	12.60	8.50	2.60
87758-1206	----	----	12	----	6	N	N	11.90	10.00	12.60	8.50	2.60
87758-1220	----	----	12	----	5	N	N	11.90	10.00	15.50	11.50	2.50

THIS DRAWING CONTAINS INFORMATION THAT IS PROPRIETARY TO MOLEX ELECTRONIC TECHNOLOGIES, LLC AND SHOULD NOT BE USED WITHOUT WRITTEN PERMISSION

DIMENSION UNITS	SCALE	CURRENT REV DESC: BRIGHT TIN PHASE OUT		<b>molex</b>		
mm	NTS					
GENERAL TOLERANCES (UNLESS SPECIFIED)				SALES DRAWING 2.00MM DUAL ROW HEADER SINGLE WAFER T/H		
	MM	INCH			PRODUCT CUSTOMER DRAWING	
4 PLACES	±	±			DOCUMENT NUMBER	
3 PLACES	±	±			DOC TYPE	
2 PLACES	± 0.2	±			DOC PART	
1 PLACE	±	±			REVISION	
0 PLACES	±	±			SD-87758-030	
ANGULAR TOL	± 3.0°				PSD	001
DRAFT WHERE APPLICABLE MUST REMAIN WITHIN DIMENSIONS		THIRD ANGLE PROJECTION	DRAWING	SERIES	MATERIAL NUMBER	CUSTOMER
			A3-SIZE	87758	SEE TABLE	GENERAL MARKET
						SHEET NUMBER
						2 OF 4

10 9 8 7 6 5 4 3 2 1

PACKAGING OPRTION PART NO.			CKT SIZE	VOID POSITION	PLATING TYPE	CAP	PEG	DIMENSION				
TRAY	TUBE WITHOUT CAP	TUBE WITH CAP						A	B	C	D	E
87758-1401	----	----	14	----	1	N	N	13.90	12.00	12.60	8.50	2.60
87758-1402	----	----	14	----	2	N	N	13.90	12.00	12.60	8.50	2.60
87758-1403	----	----	14	----	3	N	N	13.90	12.00	12.60	8.50	2.60
87758-1404	----	----	14	----	4	N	N	13.90	12.00	12.60	8.50	2.60
87758-1405	----	----	14	----	5	N	N	13.90	12.00	12.60	8.50	2.60
87758-1406	----	----	14	----	6	N	N	13.90	12.00	12.60	8.50	2.60
87758-0014	----	----	14	----	4	N	N	13.90	12.00	8.40	5.50	1.40
87758-1492	----	----	14	----	6	N	N	13.90	12.00	14.40	10.00	2.90
87758-1601	----	----	16	----	1	N	N	15.90	14.00	12.60	8.50	2.60
87758-1602	----	----	16	----	2	N	N	15.90	14.00	12.60	8.50	2.60
87758-1603	----	----	16	----	3	N	N	15.90	14.00	12.60	8.50	2.60
87758-1604	----	----	16	----	4	N	N	15.90	14.00	12.60	8.50	2.60
87758-1605	----	----	16	----	5	N	N	15.90	14.00	12.60	8.50	2.60
87758-1606	----	----	16	----	6	N	N	15.90	14.00	12.60	8.50	2.60
87758-0016	----	----	16	----	6	N	N	15.90	14.00	10.30	6.30	2.50
87758-0017	----	----	16	----	6	N	N	15.90	14.00	10.70	6.60	2.60
87758-0018	----	----	16	----	6	N	N	15.90	14.00	10.30	6.30	2.50
87758-1620	----	----	16	----	5	N	N	15.90	14.00	16.40	11.70	3.20
87758-1801	----	----	18	----	1	N	N	17.90	16.00	12.60	8.50	2.60
87758-1802	----	----	18	----	2	N	N	17.90	16.00	12.60	8.50	2.60
87758-1803	----	----	18	----	3	N	N	17.90	16.00	12.60	8.50	2.60
87758-1804	----	----	18	----	4	N	N	17.90	16.00	12.60	8.50	2.60
87758-1805	----	----	18	----	5	N	N	17.90	16.00	12.60	8.50	2.60
87758-1806	----	----	18	----	6	N	N	17.90	16.00	12.60	8.50	2.60

PACKAGING OPRTION PART NO.			CKT SIZE	VOID POSITION	PLATING TYPE	CAP	PEG	DIMENSION				
TRAY	TUBE WITHOUT CAP	TUBE WITH CAP						A	B	C	D	E
87758-2001	----	----	20	----	1	N	N	19.90	18.00	12.60	8.50	2.60
87758-2002	----	----	20	----	2	N	N	19.90	18.00	12.60	8.50	2.60
87758-2003	----	----	20	----	3	N	N	19.90	18.00	12.60	8.50	2.60
87758-2004	----	----	20	----	4	N	N	19.90	18.00	12.60	8.50	2.60
87758-2005	----	----	20	----	5	N	N	19.90	18.00	12.60	8.50	2.60
87758-2005	----	----	20	----	6	N	N	19.90	18.00	12.60	8.50	2.60
87758-0006	----	----	20	----	5	N	N	19.90	18.00	11.92	5.21	5.21
87758-2046	----	----	20	----	5	N	N	19.90	18.00	7.70	4.45	1.75
87758-2201	----	----	22	----	1	N	N	21.90	20.00	12.60	8.50	2.60
87758-2202	----	----	22	----	2	N	N	21.90	20.00	12.60	8.50	2.60
87758-2203	----	----	22	----	3	N	N	21.90	20.00	12.60	8.50	2.60
87758-2204	----	----	22	----	4	N	N	21.90	20.00	12.60	8.50	2.60
87758-2205	----	----	22	----	5	N	N	21.90	20.00	12.60	8.50	2.60
87758-2206	----	----	22	----	6	N	N	21.90	20.00	12.60	8.50	2.60
87758-2401	----	----	24	----	1	N	N	23.90	22.00	12.60	8.50	2.60
87758-2402	----	----	24	----	2	N	N	23.90	22.00	12.60	8.50	2.60
87758-2403	----	----	24	----	3	N	N	23.90	22.00	12.60	8.50	2.60
87758-2404	----	----	24	----	4	N	N	23.90	22.00	12.60	8.50	2.60
87758-2405	----	----	24	----	5	N	N	23.90	22.00	12.60	8.50	2.60
87758-2406	----	----	24	----	6	N	N	23.90	22.00	12.60	8.50	2.60

DOCUMENT STATUS P1 RELEASE DATE 2021/10/11 11:53:16

THIS DRAWING CONTAINS INFORMATION THAT IS PROPRIETARY TO MOLEX ELECTRONIC TECHNOLOGIES, LLC AND SHOULD NOT BE USED WITHOUT WRITTEN PERMISSION

SCALE: mm NTS

GENERAL TOLERANCES (UNLESS SPECIFIED)

PLACES	MM	INCH
4 PLACES	±	±
3 PLACES	±	±
2 PLACES	± 0.2	±
1 PLACE	±	±
0 PLACES	±	±

ANGULAR TOL ± 3.0°

DRAFT WHERE APPLICABLE MUST REMAIN WITHIN DIMENSIONS

THIRD ANGLE PROJECTION

DRAWING: A3-SIZE

SERIES: 87758

MATERIAL NUMBER: SEE TABLE

CUSTOMER: GENERAL MARKET

SHEET NUMBER: 3 OF 4

EC NO: 679909

DRWN: AKUMAR19 2021/06/15

CHK'D: MRAMAKRISHNA 2021/10/11

APPR: MRAMAKRISHNA 2021/10/11

INITIAL REVISION:

DRWN: KCHO 2004/11/05

APPR: SLOW 2004/11/26

DOCUMENT NUMBER: SD-87758-030

DOC TYPE: PSD

DOC PART: 001


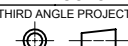
REVISION: B2

SALES DRAWING 2.00MM DUAL ROW HEADER SINGLE WAFER T/H

PRODUCT CUSTOMER DRAWING

9 8 7 6 5 4 3 2 1

PACKAGING OPRTION PART NO.			CKT SIZE	VOID POSITION	PLATING TYPE	CAP	PEG	DIMENSION				
TRAY	TUBE WITHOUT CAP	TUBE WITH CAP						A	B	C	D	E
87758-0002	----	----	26	26	4	N	N	25.90	24.00	9.56	4.06	4.00
87758-2608	----	----	26	----	5	N	N	25.90	24.00	9.70	4.00	4.20
87758-2672	----	----	26	----	4	Y	N	25.90	24.00	12.76	8.66	2.60
87758-0009	----	----	40	----	4	N	N	39.90	38.00	11.98	5.24	5.24
87758-4000	----	----	40	----	4	N	N	39.90	38.00	12.80	7.90	3.40
87758-7006	----	----	42	19 & 22	1	N	N	41.90	40.00	12.7	8.50	2.70
87758-4471	----	----	44	19	5	N	N	43.90	42.00	8.10	4.00	2.60
87758-4477	----	----	44	20	4	N	N	43.90	42.00	8.10	4.00	2.60
87758-5099	----	----	50	----	4	N	N	49.90	48.00	11.00	6.50	3.00
87758-0050	----	----	50	----	4	N	N	49.90	48.00	18.70	13.00	4.20

THIS DRAWING CONTAINS INFORMATION THAT IS PROPRIETARY TO MOLEX ELECTRONIC TECHNOLOGIES, LLC AND SHOULD NOT BE USED WITHOUT WRITTEN PERMISSION											
DIMENSION UNITS		SCALE		CURRENT REV DESC: BRIGHT TIN PHASE OUT							
mm		NTS									
GENERAL TOLERANCES (UNLESS SPECIFIED)											
		MM		INCH							
4 PLACES		±		±							
3 PLACES		±		±							
2 PLACES		± 0.2		±							
1 PLACE		±		±							
0 PLACES		±		±							
ANGULAR TOL		± 3.0°									
DRAFT WHERE APPLICABLE MUST REMAIN WITHIN DIMENSIONS				THIRD ANGLE PROJECTION		DRAWING		SERIES		MATERIAL NUMBER	
						A3-SIZE		87758		SEE TABLE	
DOCUMENT STATUS				P1		RELEASE DATE		2021/10/11		11:53:16	
EC NO: 679909		DRWN: AKUMAR19		2021/06/15		CHK'D: MRAMAKRISHNA		2021/10/11		APPR: MRAMAKRISHNA	
INITIAL REVISION:		DRWN: KCHO		2004/11/05		APPR: SLOW		2004/11/26		DOCUMENT NUMBER	
										SD-87758-030	
										DOC TYPE	
										PSD	
										DOC PART	
										001	
										REVISION	
										B2	
										CUSTOMER	
										GENERAL MARKET	
										SHEET NUMBER	
										4 OF 4	