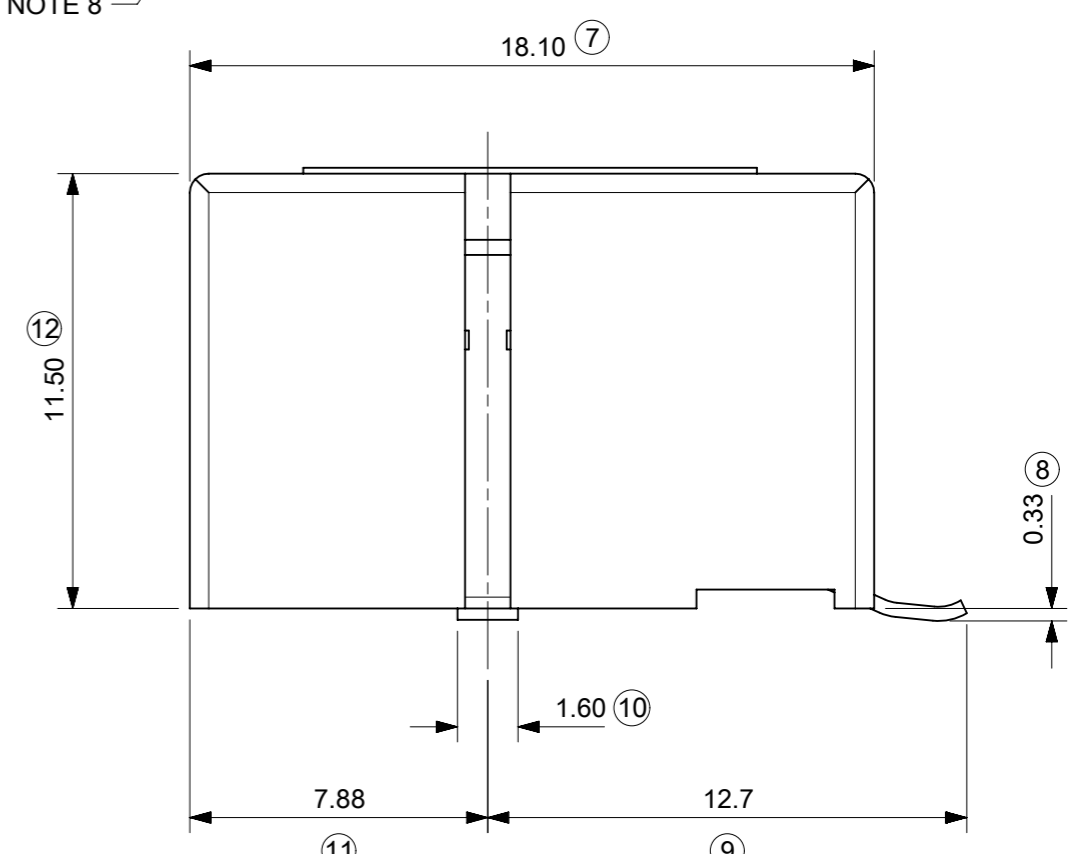
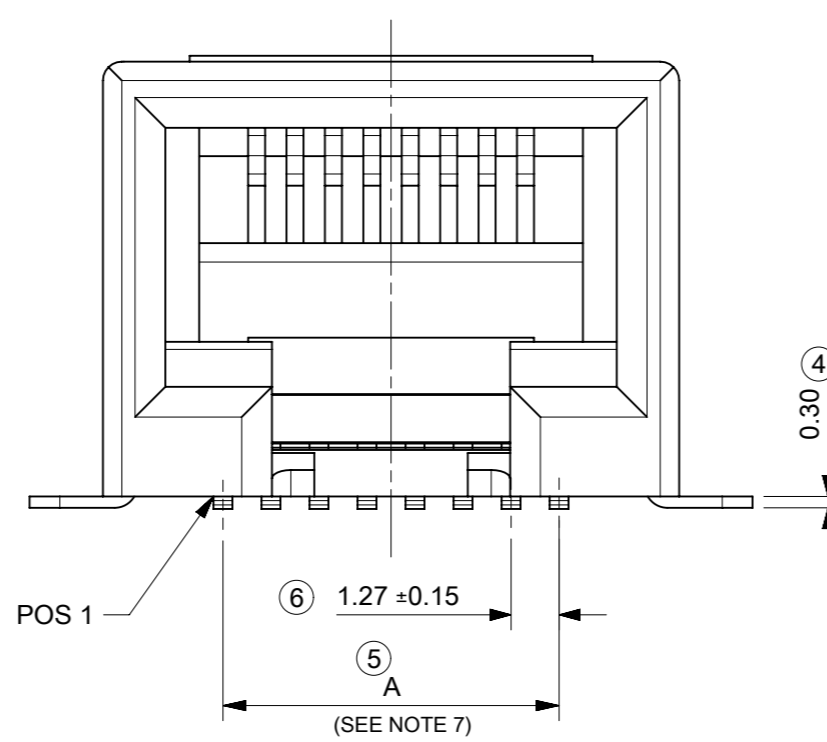
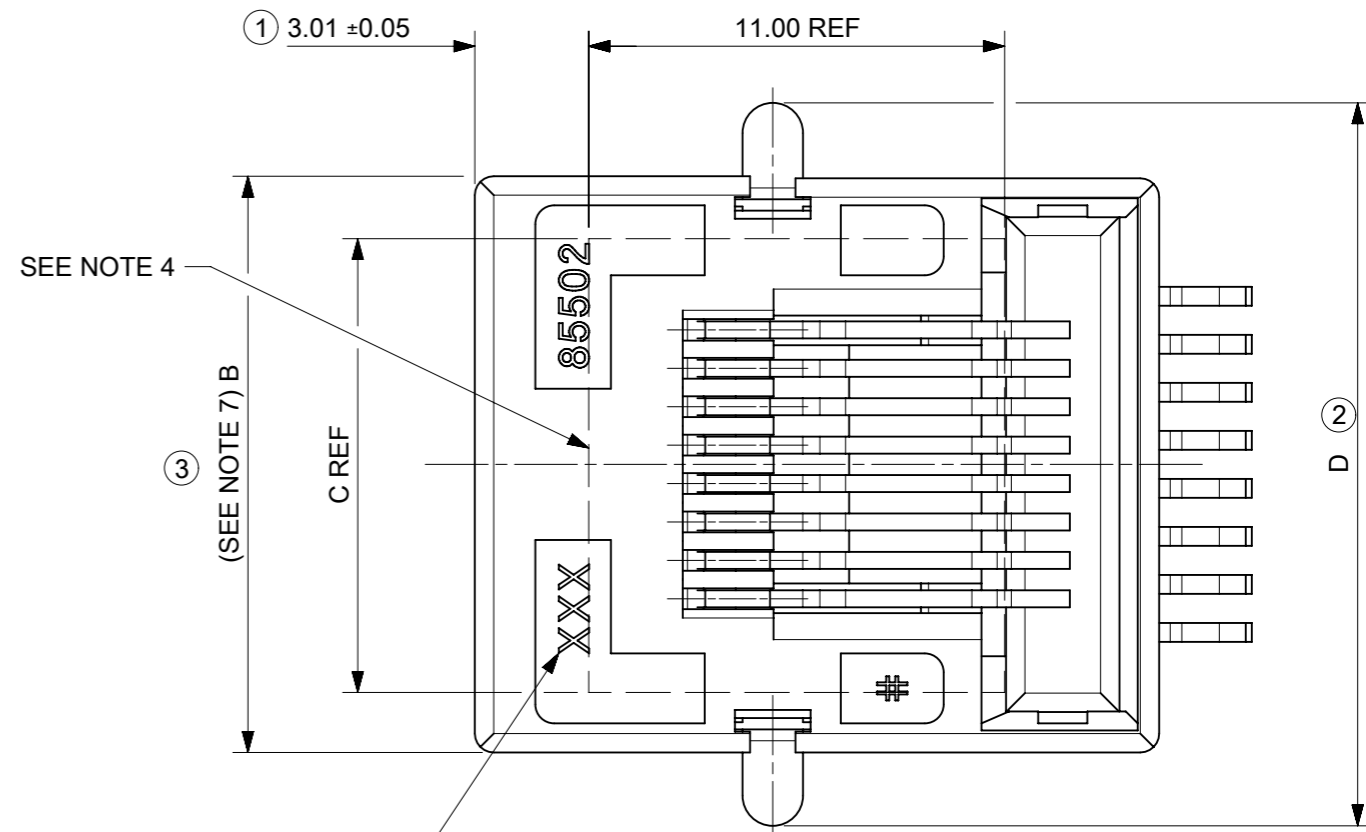


NOTES:

1. **MATERIAL:**
HOUSING: LCP GLASS FILLED UL 94-V0 COLOUR: BLACK

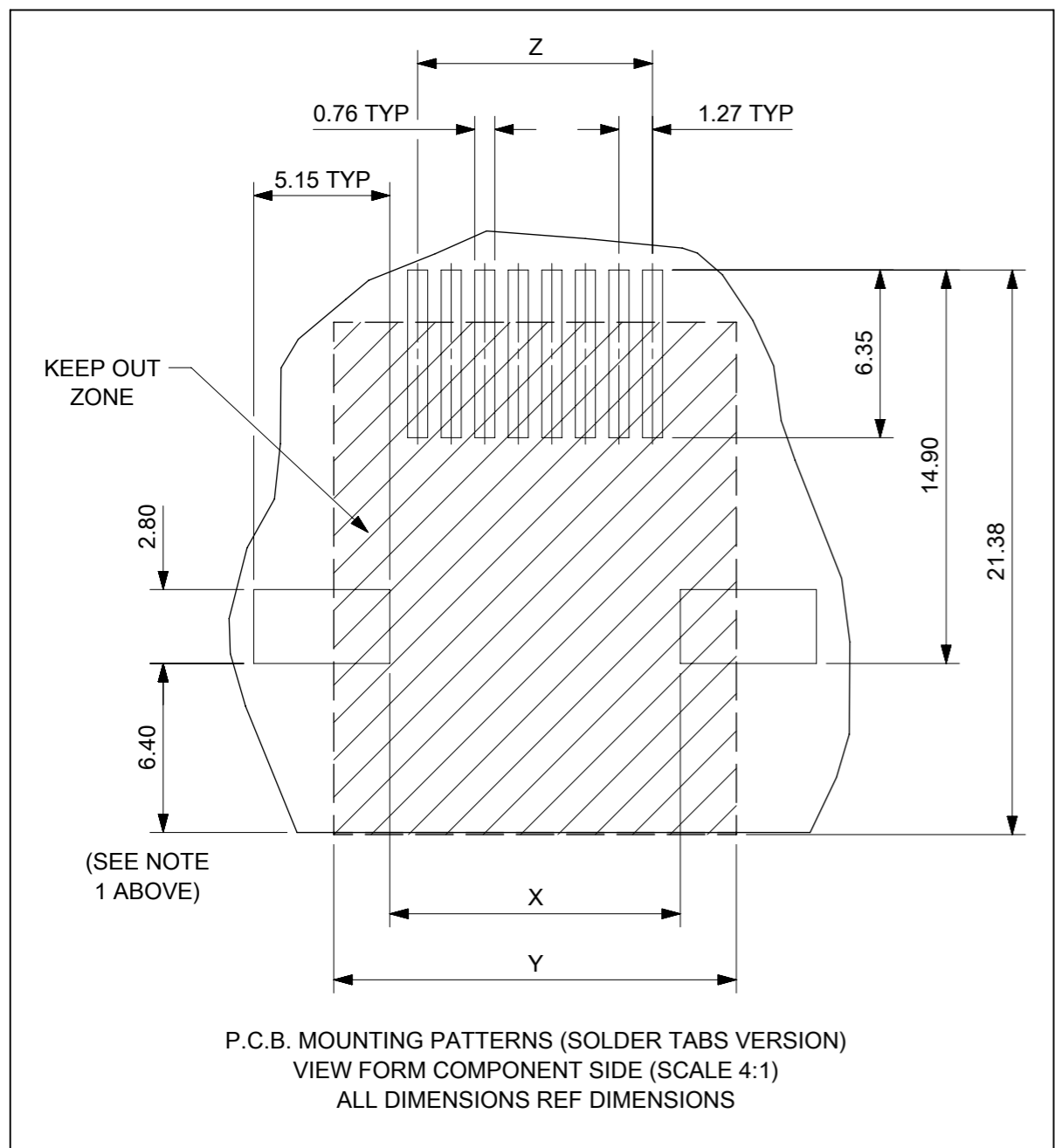
TERMINAL: COPPER ALLOY PLATED WITH:
BASE FINISH: NICKEL
CONTACT SURFACE FINISH:
GOLD
OR
GOLD FLASH OVER PALLADIUM NICKEL.
EXCEEDS PRODUCT REQUIREMENTS BASED ON PS-95501
SOLDER TABS: BRASS PLATED WITH 0.0020 MIN TIN.
2. JACK FOR MATING WITH IEC 60603-7 AND TIA-1096-A PLUGS (MOLEX 90075 SERIES)
3. PRODUCT SPECIFICATION: MOLEX PS-95501
4. POLYIMIDE ADHESIVE TAPE FOR PICK & PLACE SURFACE. THICKNESS: 125µm
5. PACKAGING SPECIFICATION: MOLEX PK-85502. (BLISTER PACKAGING).
6. COPLANARITY OF SIGNAL LEADS: 0.10
7. SEE DIMENSIONS IN CHART ON SHEET 2.
8. MANUFACTURING I.D. MAY BE EITHER MG, MXF, MXI OR MXCH.
9. APPLICATION SPECIFICATION: AS-85513-001

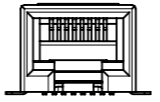
LAST INSPECTION NO.: 13




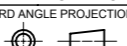
| | | | | | | | | | |
|---|---------|--|------------|--------------|-----------------|--------------|----------------|--------------|--|
| THIS DRAWING CONTAINS INFORMATION THAT IS PROPRIETARY TO MOLEX ELECTRONIC TECHNOLOGIES, LLC AND SHOULD NOT BE USED WITHOUT WRITTEN PERMISSION | | | | | | | | | |
| DIMENSION UNITS | SCALE | CURRENT REV DESC: REMASTERED USING 3D MODELS | | | | | | | |
| mm | 5:1 | <div style="text-align: center;">molex</div> R/A LOW PROFILE TRUE SMT 4,6 & 8 CONTACTS PC JACK WITH SIDE SOLDER TABS | | | | | | | |
| GENERAL TOLERANCES (UNLESS SPECIFIED) | | | | | | | | | |
| ANGULAR TOL | ± 2.0 ° | PRODUCT CUSTOMER DRAWING | | | | | | | |
| 4 PLACES | ± | EC NO: 686808 | 2021/07/30 | | DOCUMENT NUMBER | | | | |
| 3 PLACES | ± | DRWN: AKUMAR19 | 2022/01/10 | | SD-85502-101 | | | | |
| 2 PLACES | ± 0.25 | CHK'D: KLANG | 2022/01/10 | | DOC TYPE | | DOC PART | | |
| 1 PLACE | ± 0.35 | APPR: KLANG | 2022/01/10 | | PSD | | 001 | | |
| 0 PLACES | ± | INITIAL REVISION: | | 2006/07/04 | | REVISION | | E2 | |
| DRAFT WHERE APPLICABLE MUST REMAIN WITHIN DIMENSIONS | | DRWN: DBYRNES | 2006/07/04 | | MATERIAL NUMBER | | CUSTOMER | | |
| THIRD ANGLE PROJECTION | | APPR: EOMAHONY | 2006/07/07 | | SEE TABLE | | GENERAL MARKET | | |
| DRAWING | | SERIES | | SHEET NUMBER | | SHEET NUMBER | | SHEET NUMBER | |
| A3-SIZE | | 85502 | | 1 OF 2 | | 1 OF 2 | | 1 OF 2 | |

- NOTES:
 1. RECOMMENDED DISTANCE FROM THE PCB'S EDGE
 2. PLATING SEE SHEET 1



| PART NUMBERS FOR TRUE SMT JACK WITH SOLDER TABS | | | | | | | | | |
|---|---------------|------------|--------|------------|--------|------------|--------|------------|--------|
|  | HOUSING COLOR | POS 4 | TOOLED | POS 6 | TOOLED | POS 6 | TOOLED | POS 8 | TOOLED |
| | | 4 CKTS | | 4 CKTS | | 6 CKTS | | 8 CKTS | |
| STANDARD VERSION | BLACK | 85502-5005 | X | 85502-5006 | X | 85502-5007 | X | 85502-5008 | X |

| DIM | TYP | POS 4 | POS 6 | | POS 8 |
|----------|-----|--------|--------|--------|--------|
| | | 4 CKTS | 4 CKTS | 6 CKTS | 8 CKTS |
| A ± 0.15 | | 3.81 | 3.81 | 6.35 | 8.89 |
| B | | 11.18 | 13.21 | 13.21 | 15.24 |
| C (REF) | | 8.50 | 8.50 | 8.50 | 12.00 |
| D ± 0.35 | | 14.13 | 16.16 | 16.16 | 18.19 |
| X ± 0.10 | | 6.94 | 8.97 | 8.97 | 11.00 |
| Y (REF) | | 11.18 | 13.21 | 13.21 | 15.24 |
| Z ± 0.05 | | 3.81 | 3.81 | 6.35 | 8.89 |

| | | | | | | | | | |
|---|---------|---|----------------|------------|-----------------|----------------|-----------------|--------------|----------|
| THIS DRAWING CONTAINS INFORMATION THAT IS PROPRIETARY TO MOLEX ELECTRONIC TECHNOLOGIES, LLC AND SHOULD NOT BE USED WITHOUT WRITTEN PERMISSION | | | | | | | | | |
| DIMENSION UNITS | SCALE | CURRENT REV DESC: REMASTERED USING 3D MODELS | | | | | | | |
| mm | 1:1 |  R/A LOW PROFILE TRUE SMT 4,6 & 8 CONTACTS PC JACK WITH SIDE SOLDER TABS | | | | | | | |
| GENERAL TOLERANCES (UNLESS SPECIFIED) | | | | | | | | | |
| ANGULAR TOL | ± 2.0 ° | PRODUCT CUSTOMER DRAWING | | | | | | | |
| 4 PLACES | ± | EC NO: 686808 | DRWN: AKUMAR19 | | 2021/07/30 | | DOCUMENT NUMBER | | |
| 3 PLACES | ± | CHK'D: KLANG | APPR: KLANG | | 2022/01/10 | | SD-85502-101 | | |
| 2 PLACES | ± 0.25 | INITIAL REVISION: | | 2006/07/04 | | DOC TYPE | | DOC PART | REVISION |
| 1 PLACE | ± 0.35 | DRWN: DBYRNES | | 2006/07/07 | | PSD | | 001 | E2 |
| 0 PLACES | ± | APPR: EOMAHONY | | 2006/07/07 | | CUSTOMER | | SHEET NUMBER | |
| DRAFT WHERE APPLICABLE MUST REMAIN WITHIN DIMENSIONS | | THIRD ANGLE PROJECTION | DRAWING | SERIES | MATERIAL NUMBER | CUSTOMER | | SHEET NUMBER | |
| | |  | A3-SIZE | 85502 | SEE TABLE | GENERAL MARKET | | 2 OF 2 | |