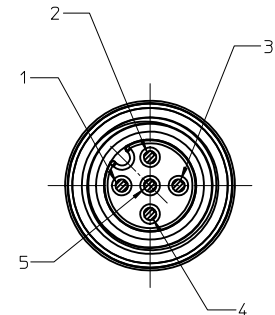
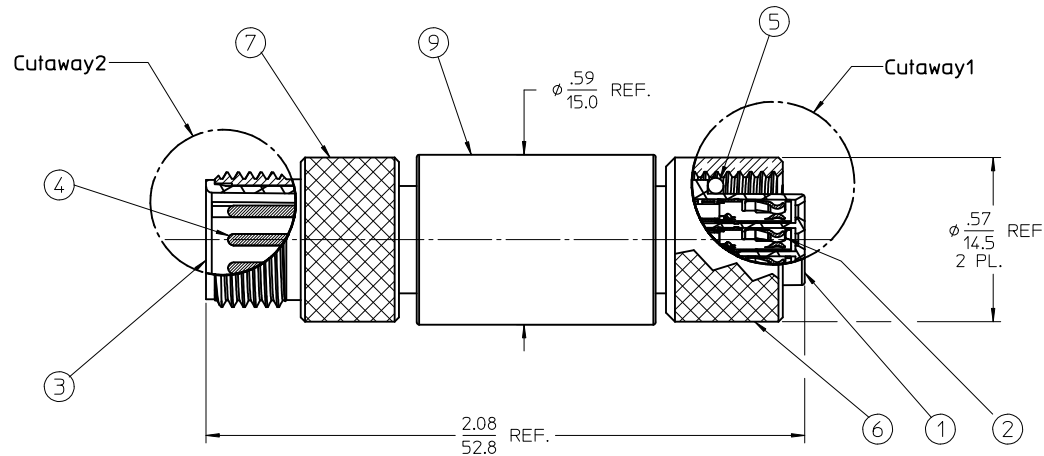
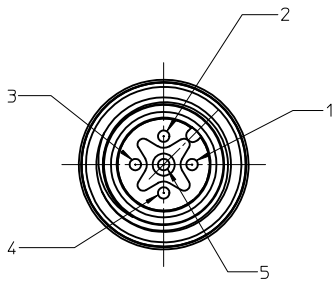
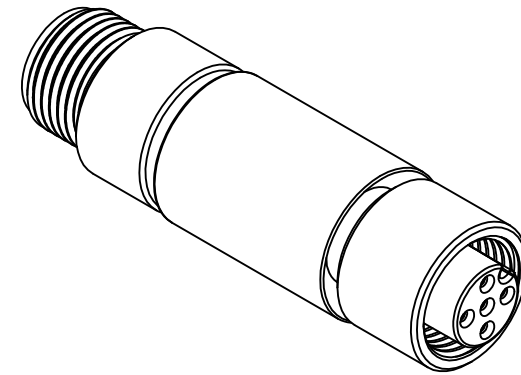
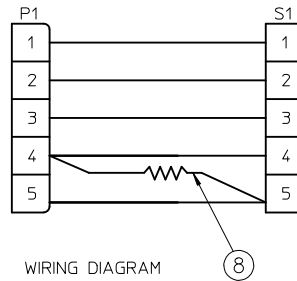


NOTES:

1. MATERIAL: SEE TABLE
2. FINISHES: SEE TABLE
3. PACKAGING: PACKED IN POLY BAG WITH BARCODE LABEL
5. MATES WITH: MIC 5/C CABLE
6. ELECTRICAL SPECIFICATIONS:
 VOLTAGE RATING: 30VAC, 36 VDC
 CURRENT RATING: 4.0 AMPS

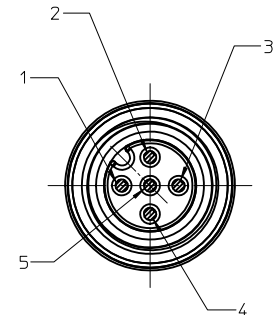
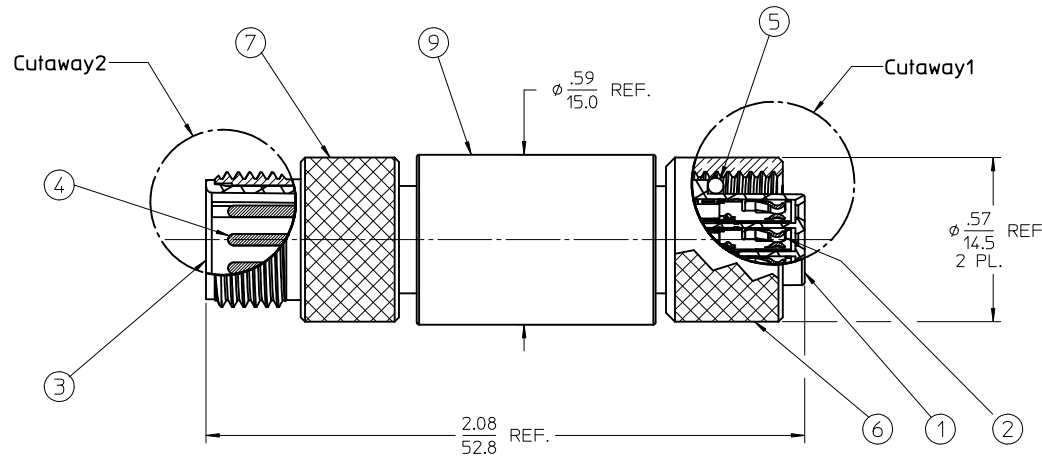
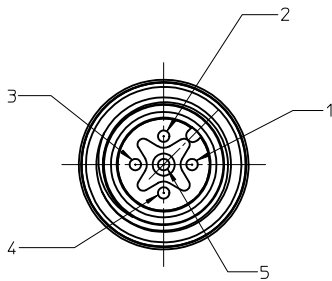
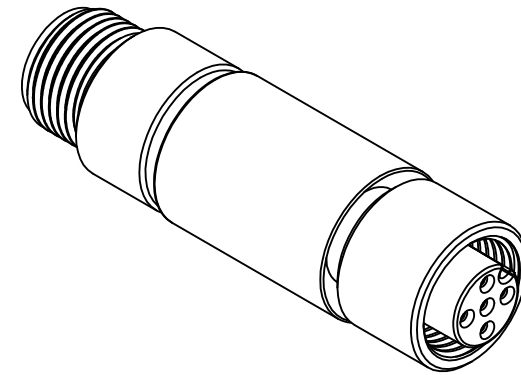
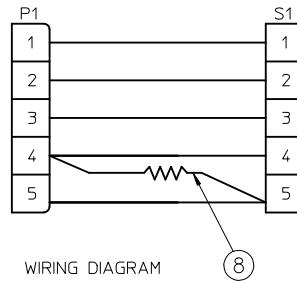


ITEM	QTY.	DESCRIPTION	MATERIAL	FINISH
9	1	OVERMOLD	PVC	BLACK
8	1	RESISTOR, 1/4 WATT, 121 OHMS	STD. SPEC	
7	1	COUPLING NUT, EXT. THREAD	BRASS	NICKEL PLATED
6	1	COUPLING NUT, INT. THREAD	BRASS	NICKEL PLATED
5	1	O-RING	VITON	RED
4	5	CONTACT PIN	Cu ALLOY	GOLD PLATED
3	1	INSERT, MALE, 5/C	NYLON	BLACK
2	5	CONTACT SOCKET	Cu ALLOY	GOLD PLATED
1	1	INSERT, FEMALE, 5/C	NYLON	BLACK

RELEASED EC NO: MNA2010-0402 DRAWNRSTONE 2010/01/05 CHKD: 2010/01/07 APPR: J.MURPHY 2010/01/07	DESCRIPTION A	QUALITY SYMBOLS ▽=0 ▽=0	GENERAL TOLERANCES (UNLESS SPECIFIED)		DIMENSION STYLE IN/MM	SCALE 3:1	DESIGN UNITS INCH	THIRD ANGLE PROJECTION			
			4 PLACES ± --- ± ---	3 PLACES ± --- ± ---	2 PLACES ± --- ± .01	1 PLACE ± 0.3 ± ---	mm	INCH	TITLE MIC PASS THRU TERMINATOR 5C MALE/FEMALE		
			ANGULAR ±1/2°				DRAWN BY R.STONE		DATE 2009/12/30		MOLEX MOLEX INCORPORATED DOCUMENT NO. SD-84854-026 SHEET NO. 1 OF 1
			DRAFT WHERE APPLICABLE MUST REMAIN WITHIN DIMENSIONS				CHECKED BY B.WOODMAN		DATE 2010/01/06		
				APPROVED BY J.MURPHY		DATE 2010/01/08		MATERIAL NO. 848549319 SIZE C THIS DRAWING CONTAINS INFORMATION THAT IS PROPRIETARY TO MOLEX INCORPORATED AND SHOULD NOT BE USED WITHOUT WRITTEN PERMISSION			

NOTES:

1. MATERIAL: SEE TABLE
2. FINISHES: SEE TABLE
3. PACKAGING: PACKED IN POLY BAG WITH BARCODE LABEL
5. MATES WITH: MIC 5/C CABLE
6. ELECTRICAL SPECIFICATIONS:
 VOLTAGE RATING: 30VAC, 36 VDC
 CURRENT RATING: 4.0 AMPS



9	1	OVERMOLD	PVC	BLACK
8	1	RESISTOR, 1/4 WATT, 121 OHMS	STD. SPEC	
7	1	COUPLING NUT, EXT. THREAD	BRASS	NICKEL PLATED
6	1	COUPLING NUT, INT. THREAD	BRASS	NICKEL PLATED
5	1	O-RING	VITON	RED
4	5	CONTACT PIN	Cu ALLOY	GOLD PLATED
3	1	INSERT, MALE, 5/C	NYLON	BLACK
2	5	CONTACT SOCKET	Cu ALLOY	GOLD PLATED
1	1	INSERT, FEMALE, 5/C	NYLON	BLACK
ITEM	QTY.	DESCRIPTION	MATERIAL	FINISH

RELEASED	EC NO: MNA2010-0402	2010/01/05
DRWNR:STONE	CHKD: 2010/01/07	APPR: J.MURPHY 2010/01/07
DESCRIPTION	QUALITY SYMBOLS	
	$\nabla=0$	
	$\nabla=0$	
A	REV	

GENERAL TOLERANCES (UNLESS SPECIFIED)	
	mm INCH
4 PLACES	$\pm .005$ $\pm .0002$
3 PLACES	$\pm .005$ $\pm .0002$
2 PLACES	$\pm .01$ $\pm .0004$
1 PLACE	$\pm .03$ $\pm .0012$
ANGULAR $\pm 1/2^\circ$	
DRAFT WHERE APPLICABLE MUST REMAIN WITHIN DIMENSIONS	

DIMENSION STYLE		SCALE	DESIGN UNITS	THIRD ANGLE PROJECTION
IN/MM		3:1	INCH	
DRAWN BY	DATE	TITLE		
R.STONE	2009/12/30	MIC PASS THRU TERMINATOR 5C MALE/FEMALE		
CHECKED BY	DATE	MATERIAL NO.		
B.WOODMAN	2010/01/06	848549319		
APPROVED BY	DATE	DOCUMENT NO.		
J.MURPHY	2010/01/08	SD-84854-026		
SIZE		SHEET NO.		
C		1 OF 1		

MATERIAL NO.		DOCUMENT NO.		SHEET NO.
848549319		SD-84854-026		1 OF 1
THIS DRAWING CONTAINS INFORMATION THAT IS PROPRIETARY TO MOLEX INCORPORATED AND SHOULD NOT BE USED WITHOUT WRITTEN PERMISSION				