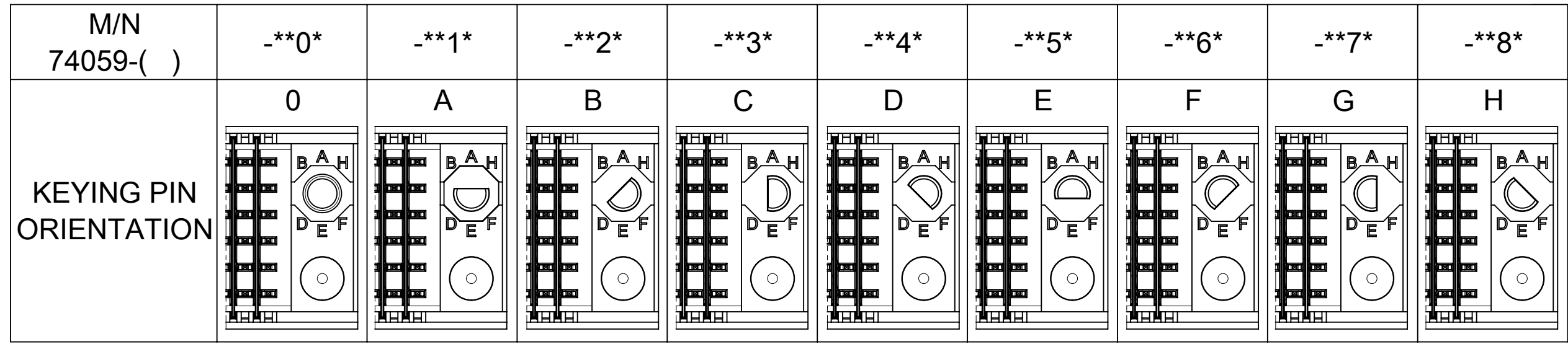


- NOTES:
- MATERIALS:
HOUSING - LIQUID CRYSTAL POLYMER (LCP), GLASS-FILLED, UL 94V-0, COLOR: BLACK
SIGNAL PIN & SHIELD - COPPER ALLOY
 - FINISHES:
CONTACT AREA: SELECTIVE GOLD (Au)
PCB TAILS: SELECTIVE MATTE TIN (Sn) NICKEL (Ni) OVERALL.
 - THIS PART CONFORMS TO MOLEX PRODUCT SPECIFICATION PS-74031-999
 - FOR MIXED CONTACT LENGTHS CONSULT MOLEX FOR AVAILABILITY
 - FOR SPECIFIC MATERIAL NUMBERS & MATING INFORMATION REFER TO SHEET 2 AND 3
 - PACKAGE PER PK-74058-003
 - MARK PART WITH PART NUMBER & DATE CODE APPROXIMATELY WHERE SHOWN
 - MAPS (MOLEX ADVANCED PLATING SYSTEM).

THE PRIMARY CARTON WITH A LABEL STATING "ELV AND RoHS COMPLAINT" IS LEAD FREE. CARTONS WITHOUT THIS LABEL MAY CONTAIN LEAD.

THIS DRAWING CONTAINS INFORMATION THAT IS PROPRIETARY TO MOLEX ELECTRONIC TECHNOLOGIES, LLC AND SHOULD NOT BE USED WITHOUT WRITTEN PERMISSION											
DIMENSION UNITS		SCALE		CURRENT REV DESC: SEE REVISION TABLE						molex	
mm		2.5:1									
GENERAL TOLERANCES (UNLESS SPECIFIED)				EC NO: 713684		DRWN: MKP		2022/06/15		VHDM 6 ROW SHIELD END BACKPLANE SALES DRAWING	
4 PLACES		±		CHK'D: WZHAO21		2022/07/20					
3 PLACES		±		APPR: WZHAO21		2022/07/20		PRODUCT CUSTOMER DRAWING			
2 PLACES		± 0.1		INITIAL REVISION:		DRWN: JMELTON		2010/05/20		DOCUMENT NUMBER	
1 PLACE		± 0.25		APPR: SMILLER		2010/07/14		SD-74059-002		DOC TYPE DOC PART REVISION	
0 PLACES		±		DRAFT WHERE APPLICABLE MUST REMAIN WITHIN DIMENSIONS		THIRD ANGLE PROJECTION		DRAWING C-SIZE		SERIES 74059	
MATERIAL NUMBER		CUSTOMER		SHEET NUMBER		SEE SHEET 2		GENERAL MARKET		1 OF 3	



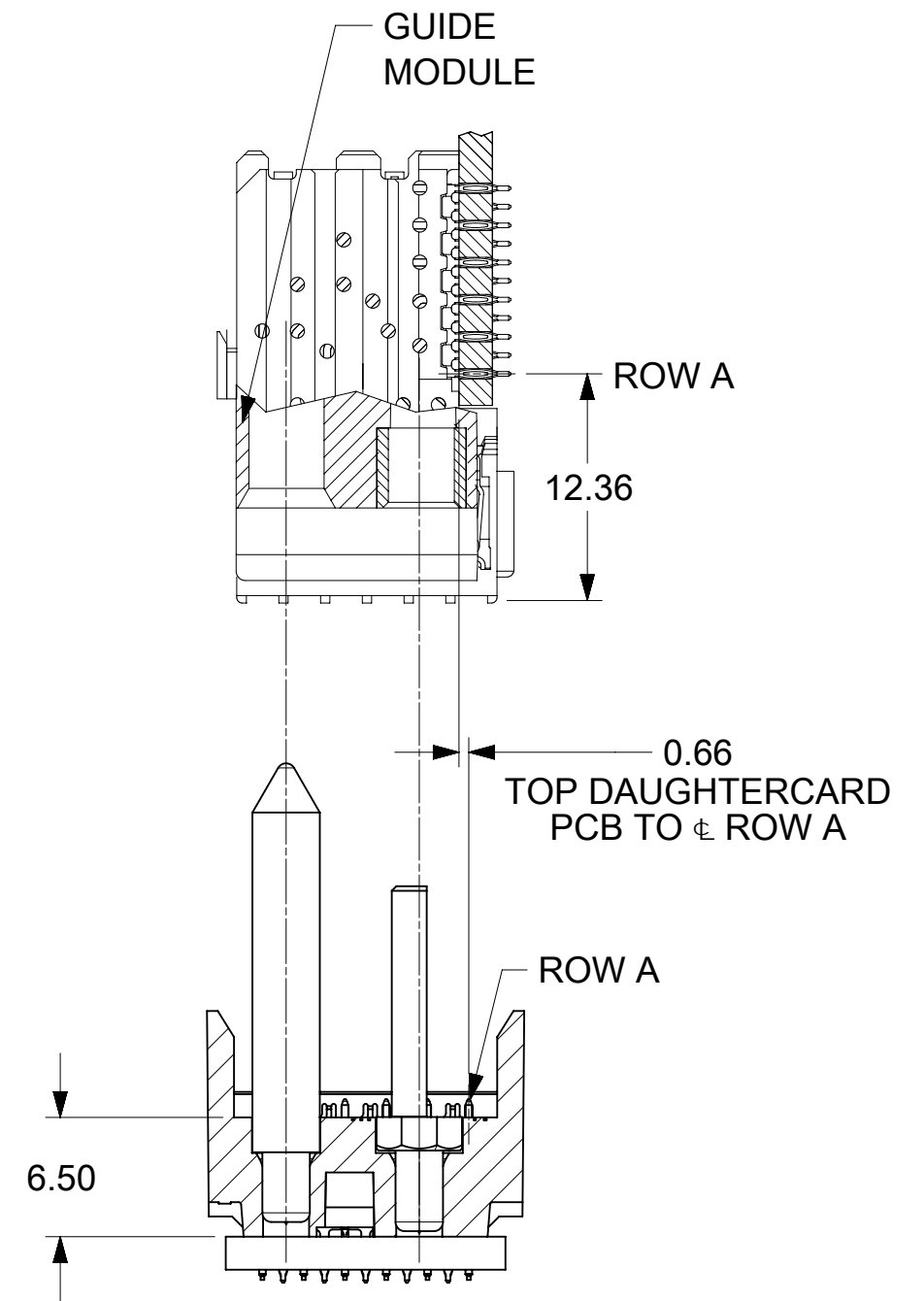
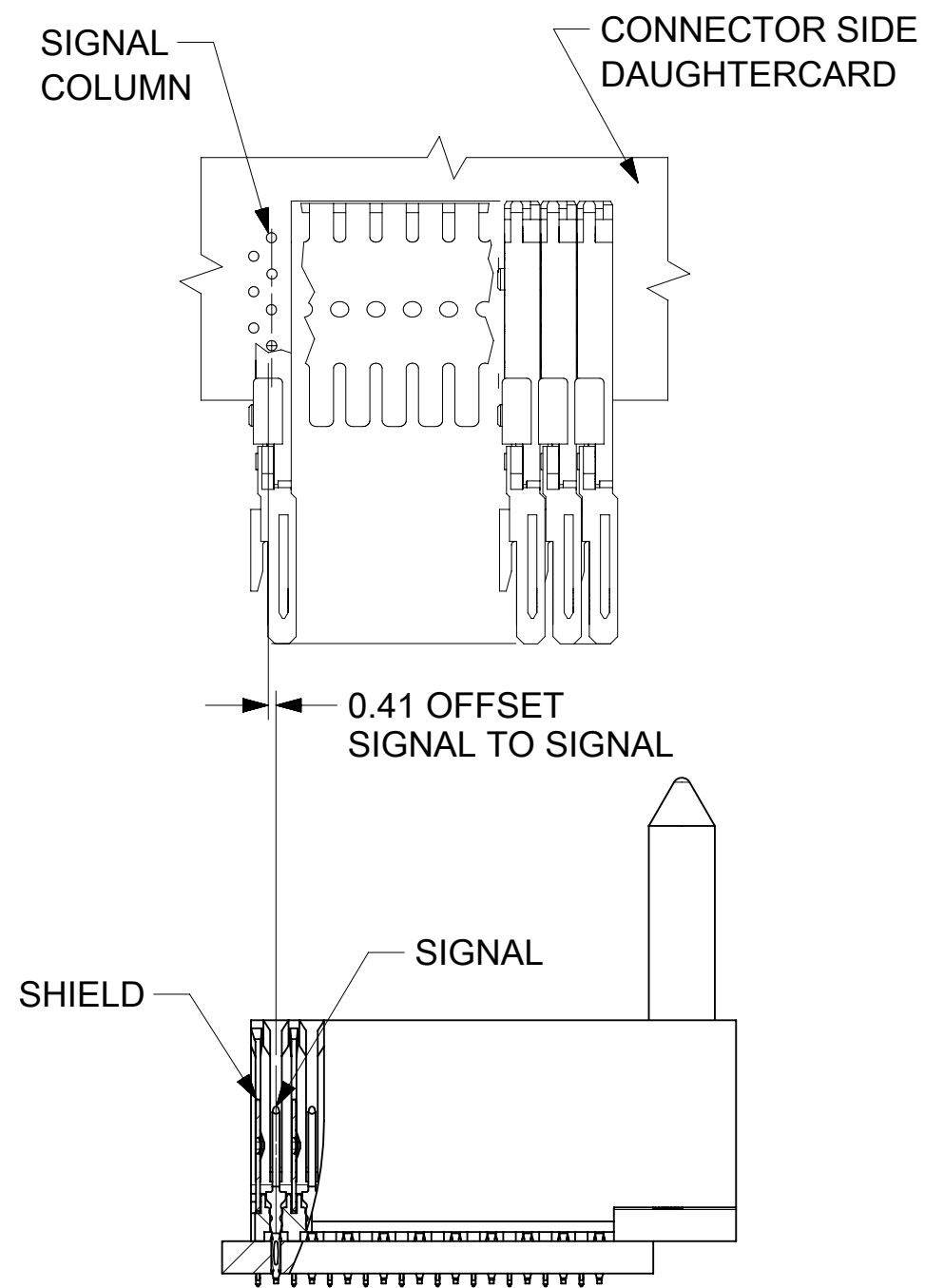
74059-****

NUMBER OF COLUMNS/PLATING
 10 = 10 COLUMN MATTE TIN (FORMERLY TIN/LEAD)
 21 = 11 COLUMN MATTE TIN (FORMERLY TIN/LEAD)
 25 = 25 COLUMN MATTE TIN (FORMERLY TIN/LEAD)
 60 = 10 COLUMN MATTE TIN (MAPS)
 71 = 11 COLUMN MATTE TIN (MAPS)
 75 = 25 COLUMN MATTE TIN (MAPS)
 90 = 10 COLUMN MATTE TIN
 81 = 11 COLUMN MATTE TIN
 85 = 25 COLUMN MATTE TIN

CONTACT LOAD (PIN HEIGHT)
 1 & 6 = 4.75
 2 & 7 = 6.25
 3 & 8 = 4.25
 4 & 9 = 5.15

PART NUMBER	COLUMN	NUMBER OF SIGNAL PIN	NUMBER OF SHIELD	A	B	M	GOLD THICKNESS MICROMETER	TIN THICKNESS MICROMETER
74059-60*1	10	60	10	27.00	18.00	4.75	0.25 MAPS	0.76-1.52
74059-*0*1							0.76	
74059-*0*6							1.27	
74059-75*1	25	150	25	57.00	48.00	0.25 MAPS		
74059-*5*1						0.76		
74059-*5*6						1.27		
74059-60*2	10	60	10	27.00	18.00	0.25 MAPS		
74059-*0*2						0.76		
74059-*0*7						1.27		
74059-75*2	25	150	25	57.00	48.00	0.25 MAPS		
74059-*5*2						0.76		
74059-*5*7						1.27		
74059-60*3	10	60	10	27.00	18.00	0.25 MAPS		
74059-*0*3						0.76		
74059-*0*8						1.27		
74059-75*3	25	150	25	57.00	48.00	0.25 MAPS		
74059-*5*3						0.76		
74059-*5*8						1.27		
74059-60*4	10	60	10	27.00	18.00	0.25 MAPS		
74059-*0*4						0.76		
74059-*0*9						1.27		
74059-75*4	25	150	25	57.00	48.00	0.25 MAPS		
74059-*5*4						0.76		
74059-*5*9						1.27		

PART NUMBER	COLUMN	NUMBER OF SIGNAL PIN	NUMBER OF SHIELD	A	B	M	GOLD THICKNESS MICROMETER	TIN THICKNESS MICROMETER
74059-71*1	11	66	11	29.00	20.00	4.75	0.25 MAPS	0.76-1.52
74059-*1*1							0.76	
74059-*1*6							1.27	
74059-71*2	11	66	11	29.00	20.00	6.25	0.25 MAPS	
74059-*1*2							0.76	
74059-*1*7							1.27	
74059-71*3	11	66	11	29.00	20.00	4.25	0.25 MAPS	
74059-*1*3							0.76	
74059-*1*8							1.27	
74059-71*4	11	66	11	29.00	20.00	5.15	0.25 MAPS	
74059-*1*4							0.76	
74059-*1*9							1.27	

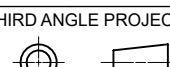


THIS DRAWING CONTAINS INFORMATION THAT IS PROPRIETARY TO MOLEX ELECTRONIC TECHNOLOGIES, LLC AND SHOULD NOT BE USED WITHOUT WRITTEN PERMISSION

DIMENSION UNITS	SCALE	CURRENT REV DESC: SEE REVISION TABLE	
mm	2.5:1		
GENERAL TOLERANCES (UNLESS SPECIFIED)			
	MM	INCH	
4 PLACES	±	±	
3 PLACES	±	±	
2 PLACES	± 0.1	±	
1 PLACE	± 0.25	±	
0 PLACES	±	±	
ANGULAR TOL	± 0.5°		
DRAFT WHERE APPLICABLE MUST REMAIN WITHIN DIMENSIONS		THIRD ANGLE PROJECTION	DRAWING SERIES
			C-SIZE 74059

EC NO: 713684	2022/06/15	 VHDM 6 ROW SHIELD END BACKPLANE SALES DRAWING PRODUCT CUSTOMER DRAWING	
DRWN: MKP	2022/07/20		
CHK'D: WZHAO21	2022/07/20		
APPR: WZHAO21	2022/07/20	DOCUMENT NUMBER	
INITIAL REVISION:		DOC TYPE DOC PART REVISION	
DRWN: JMELTON	2010/05/20	SD-74059-002 PSD 001 P	
APPR: SMILLER	2010/07/14	MATERIAL NUMBER CUSTOMER SHEET NUMBER	
		SEE TABLE	GENERAL MARKET 2 OF 3

DATE	REV	DESCRIPTION
2022/06/24	P	DRAWING MIGRATION DRAWING HAS BEEN UPDATED

THIS DRAWING CONTAINS INFORMATION THAT IS PROPRIETARY TO MOLEX ELECTRONIC TECHNOLOGIES, LLC AND SHOULD NOT BE USED WITHOUT WRITTEN PERMISSION									
DIMENSION UNITS		SCALE		CURRENT REV DESC: SEE REVISION TABLE				molex	
mm		1:1							
GENERAL TOLERANCES (UNLESS SPECIFIED)				EC NO: 713684 DRWN: MKP 2022/06/15 CHK'D: WZHAO21 2022/07/20 APPR: WZHAO21 2022/07/20 INITIAL REVISION: DRWN: JMELTON 2010/05/20 APPR: SMILLER 2010/07/14				VHDM 6 ROW SHIELD END BACKPLANE SALES DRAWING	
4 PLACES		±	±					PRODUCT CUSTOMER DRAWING	
3 PLACES		±	±					DOCUMENT NUMBER	
2 PLACES		± 0.1	±					SD-74059-002	
1 PLACE		± 0.25	±					DOC TYPE	
0 PLACES		±	±					PSD	
ANGULAR TOL		± 0.5 °		DOC PART		001		REVISION	
DRAFT WHERE APPLICABLE MUST REMAIN WITHIN DIMENSIONS		THIRD ANGLE PROJECTION		DRAWING		SERIES		SHEET NUMBER	
				C-SIZE		74059		3 OF 3	
MATERIAL NUMBER		CUSTOMER		SEE SHEET 2		GENERAL MARKET			