

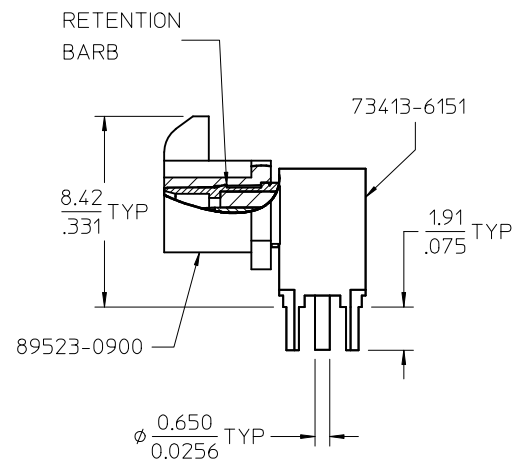
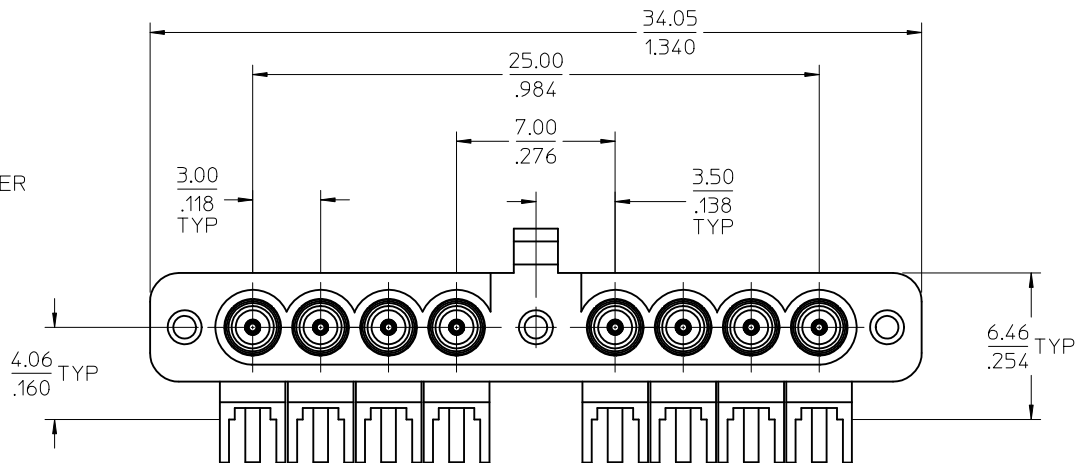
MATERIALS AND FINISHES

BODIES: BRASS
PLATED GOLD OVER NICKEL

CONTACTS: BERYLLIUM COPPER
PLATED: GOLD OVER NICKEL

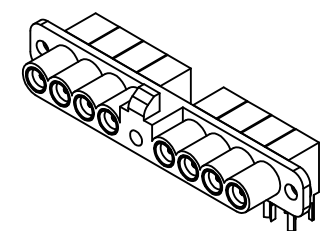
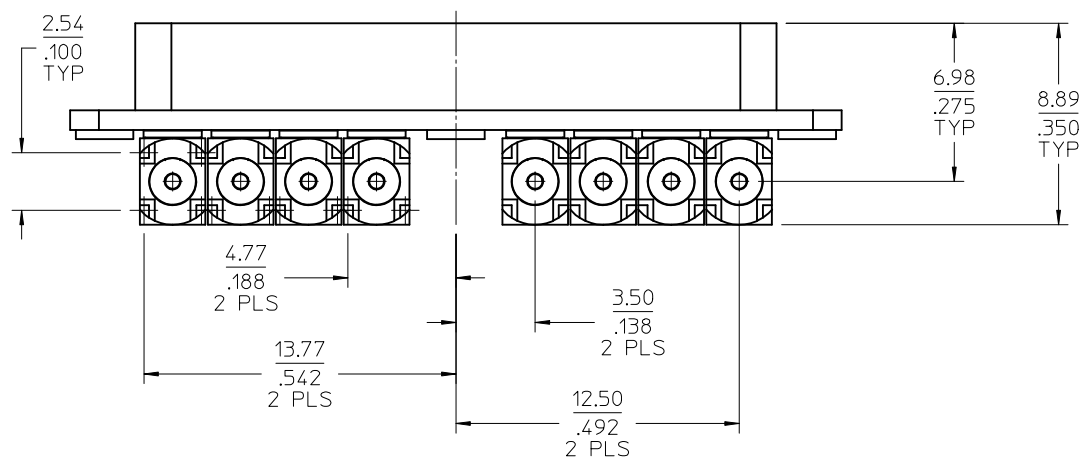
INSULATORS: TEFLON

BLOCK: STANYL



MATING FORCE WITH POPULATED
BLOCK OF SSMCX PLUGS IS
2.27-4.54 KG (5-10 LBS TYP)

UN-MATING FORCE WITH POPULATED
BLOCK OF SSMCX PLUGS IS
1.36-4.08 KG (3-9 LBS TYP)
LATCH NOT ENGAGED



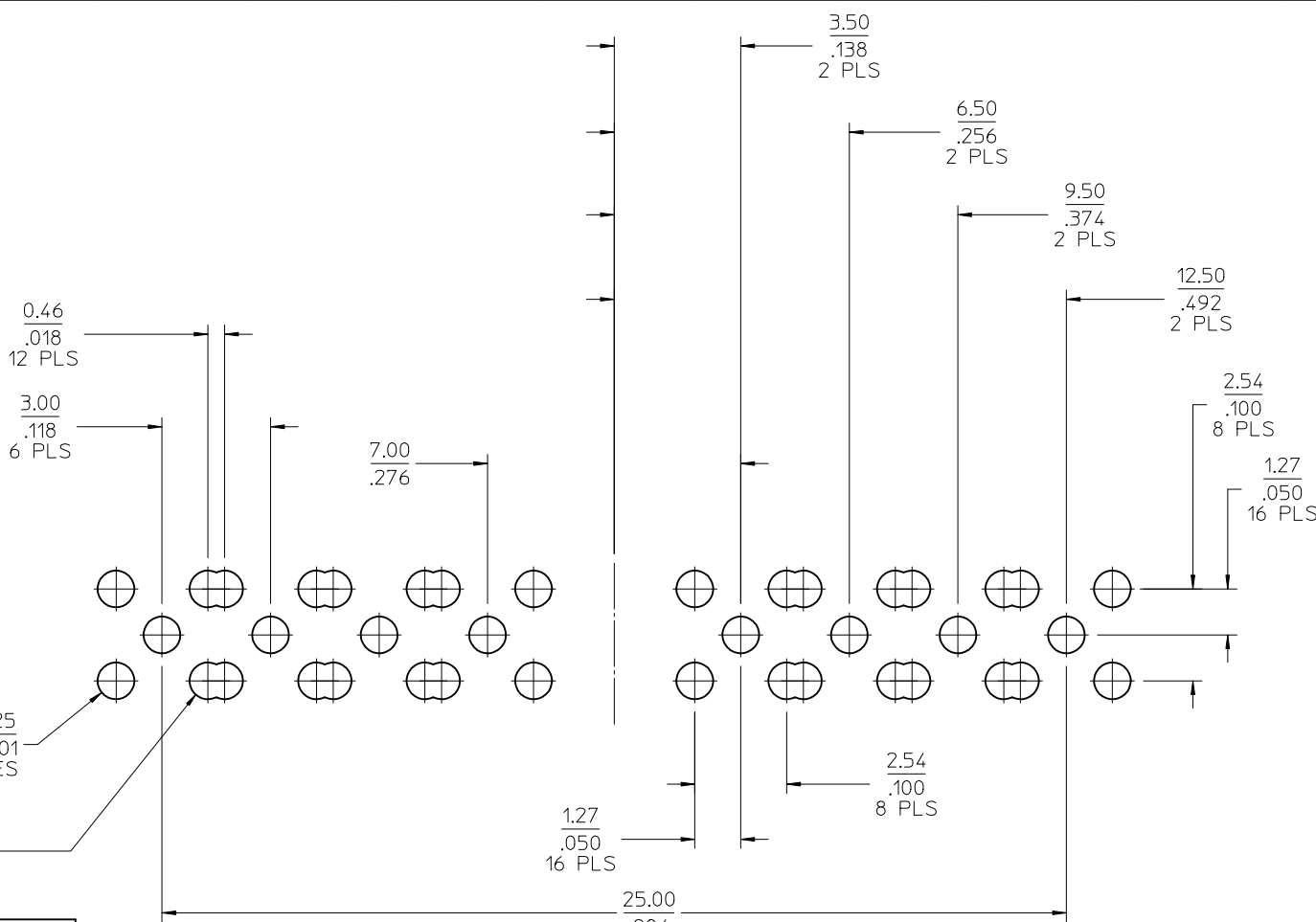
PART # 73358-0690

PS-89675-3600	ELEC/MECH PERFORMANCE
ES-73599-0009-0011	INTERFACE SSMCX JACK
SPECIFICATION	DESCRIPTION

CHG: RELEASE DRAWING.	EC NO: URF2010-0406	QUALITY SYMBOLS	GENERAL TOLERANCES (UNLESS SPECIFIED)	DIMENSION STYLE	SCALE	DESIGN UNITS	THIRD ANGLE PROJECTION
DRWN: AROBERTSON 2010/01/14	CHKD: SSS 2010/01/15	▽=0	4 PLACES ± --- ± ---	MM/IN	INCH	INCH	☉
APPR: JWIENER 2010/01/15	DESCRIPTION	▽=0	3 PLACES ± --- ± ---				
			2 PLACES ± --- ± ---				
			1 PLACE ± --- ± ---				
			ANGULAR ± 2 °				
			DRAFT WHERE APPLICABLE MUST REMAIN WITHIN DIMENSIONS				

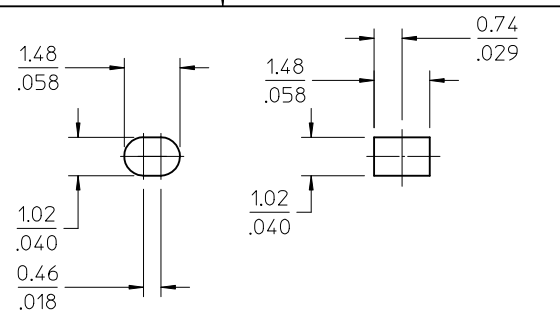
MATERIAL NO.	733580690	SHEET NO.	1 OF 4
DOCUMENT NO.	SD-73358-069	THIS DRAWING CONTAINS INFORMATION THAT IS PROPRIETARY TO MOLEX INCORPORATED AND SHOULD NOT BE USED WITHOUT WRITTEN PERMISSION	

DRAWN BY: AROBERTSON		DATE: 2010/01/14		TITLE: SSMCX J RA STD PCB TALL MF GANG 4/6/8 50 OHM SSMCX-J/PCB, EWR-4289	
CHECKED BY: SSS		DATE:		MOLEX INCORPORATED	
APPROVED BY:		DATE:			



ϕ 1.016 ± 0.025
 0.040 ± 0.001
 40 PLACES

OPTIONAL HOLE PATTERN FOR OVERLAPPING HOLES



PCB HOLE PATTERN FOR 73358-0690

CHG: SEE SHEET 1.	QUALITY SYMBOLS
EC NO: URF2010-0406	▽=0
DRWN: AROBERTSON 2010/01/14	▽=0
CHKD: SSS 2010/01/15	
APPR: JWIENER 2010/01/15	
REV	DESCRIPTION
A	

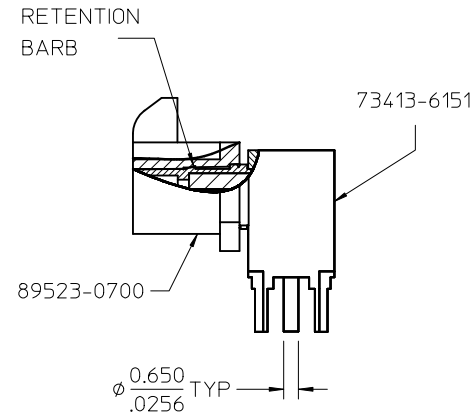
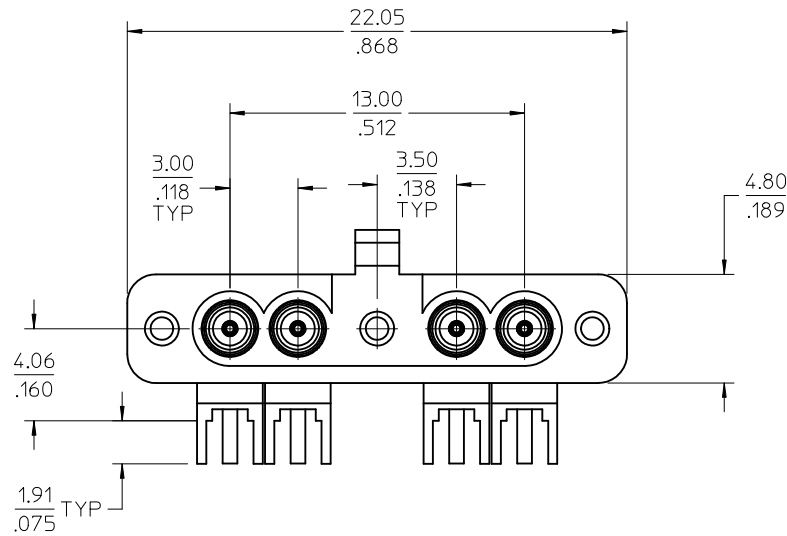
GENERAL TOLERANCES (UNLESS SPECIFIED)	
mm	INCH
4 PLACES ± ---	± ---
3 PLACES ± ---	± ---
2 PLACES ± ---	± ---
1 PLACE ± ---	± ---
ANGULAR ± 2°	
DRAFT WHERE APPLICABLE MUST REMAIN WITHIN DIMENSIONS	

DIMENSION STYLE	
MM/IN	
DRAWN BY	DATE
AROBERTSON	2010/01/14
CHECKED BY	DATE
SSS	
APPROVED BY	DATE
MATERIAL NO.	DOCUMENT NO.
733580490	SD-73358-069
SIZE	
C	

SCALE	DESIGN UNITS	THIRD ANGLE PROJECTION
INCH	INCH	
TITLE		
SSMCX J RA STD PCB TALL		
MF GANG 4/6/8 50 OHM		
SSMCX-J/PCB, EWR-4289		
MOLEX INCORPORATED		
SHEET NO.		
2 OF 4		
THIS DRAWING CONTAINS INFORMATION THAT IS PROPRIETARY TO MOLEX INCORPORATED AND SHOULD NOT BE USED WITHOUT WRITTEN PERMISSION		

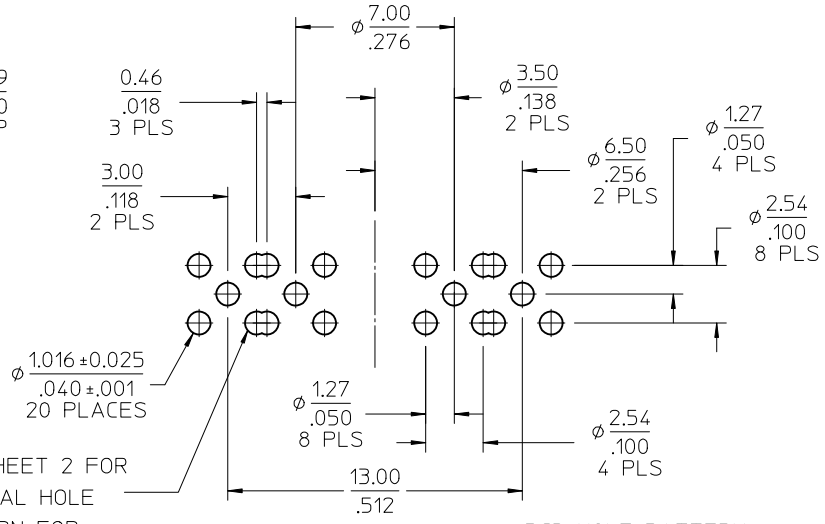
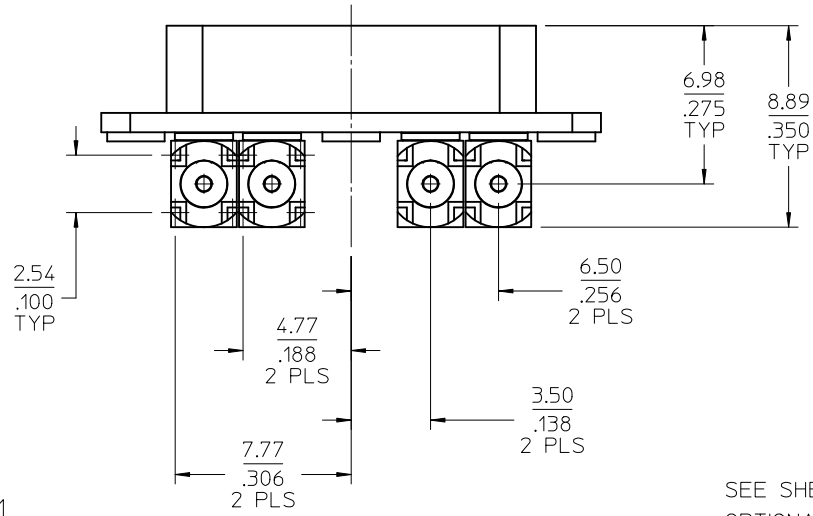
MATERIALS AND FINISHES

SEE SHEET 1



MATING FORCE WITH POPULATED BLOCK OF SSMCX PLUGS IS 1.13-2.27 KG (2.5-5 LBS TYP)

UN-MATING FORCE WITH POPULATED BLOCK OF SSMCX PLUGS IS 0.68-2.04 KG (1.5-4.5 LBS TYP) LATCH NOT ENGAGED



PART # 73358-0691

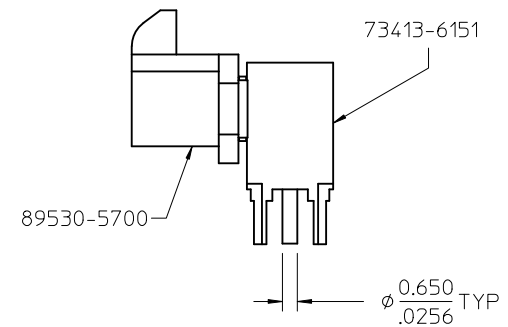
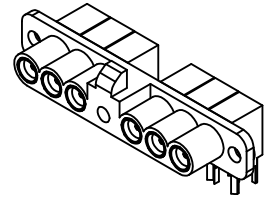
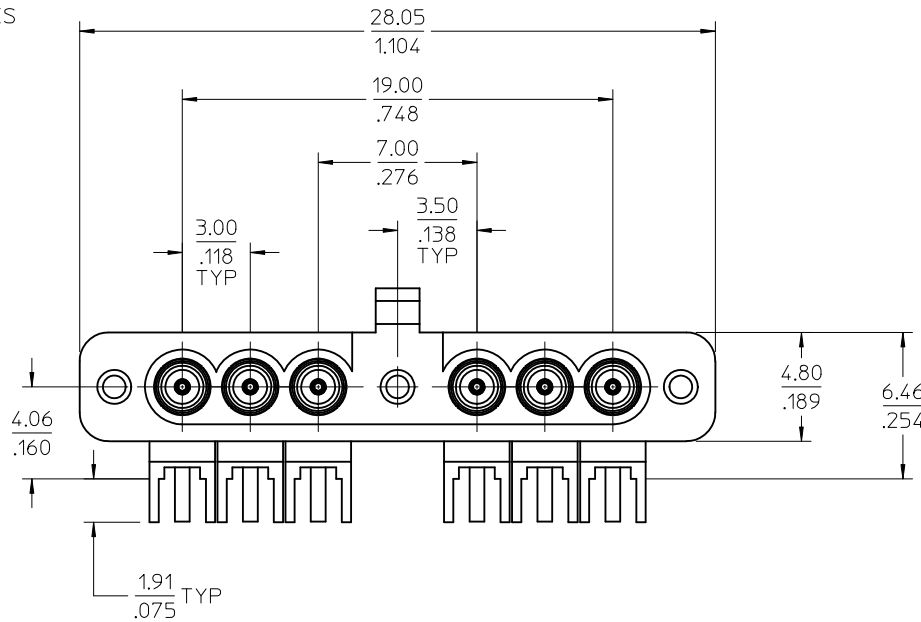
SEE SHEET 2 FOR OPTIONAL HOLE PATTERN FOR OVERLAPPING HOLES

PCB HOLE PATTERN FOR 73358-0691

SEE SHEET 1 EC NO: URF2010-0406 DRAWN: AROBERTSON 2010/01/14 CHKD: SSS 2010/01/15 APPR: JWIENER 2010/01/15 REV A	DESCRIPTION QUALITY SYMBOLS ▽=0 ▽=0	GENERAL TOLERANCES (UNLESS SPECIFIED)		DIMENSION STYLE MM/IN	SCALE INCH	DESIGN UNITS INCH		THIRD ANGLE PROJECTION	
		4 PLACES ± --- ± --- 3 PLACES ± --- ± --- 2 PLACES ± --- ± --- 1 PLACE ± --- ± ---	mm INCH	DRAWN BY AROBERTSON	DATE 2010/01/14	TITLE SSMCX J RA STD PCB TALL MF GANG 4/6/8 50 OHM SSMCX-J/PCB, EWR-4289			
		ANGULAR ± 2 °		CHECKED BY SSS	DATE	MOLEX INCORPORATED			
		DRAFT WHERE APPLICABLE MUST REMAIN WITHIN DIMENSIONS		MATERIAL NO. 733580691	DATE	DOCUMENT NO. SD-73358-069	SHEET NO. 3 OF 4	THIS DRAWING CONTAINS INFORMATION THAT IS PROPRIETARY TO MOLEX INCORPORATED AND SHOULD NOT BE USED WITHOUT WRITTEN PERMISSION	

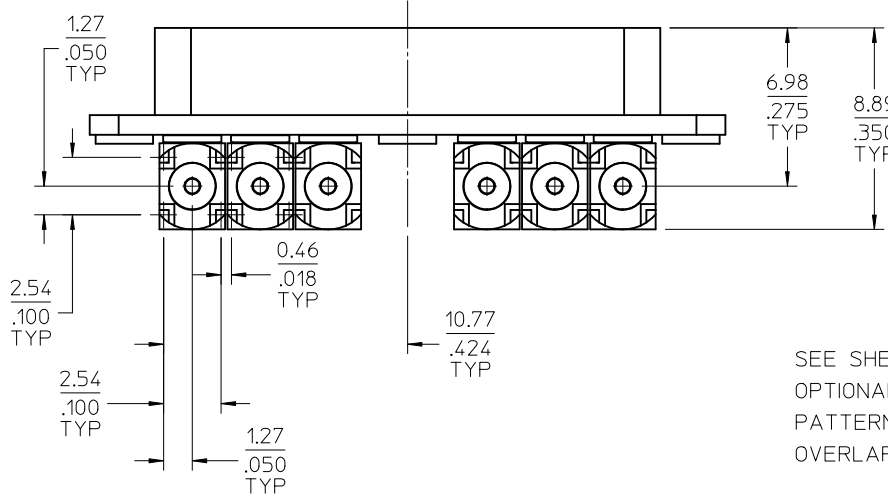
MATERIALS AND FINISHES

SEE SHEET 1

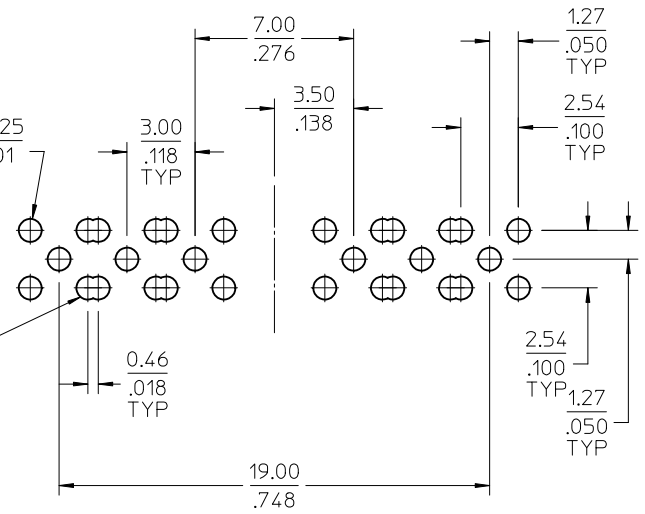


MATING FORCE WITH POPULATED BLOCK OF SSMCX PLUGS IS 2.04-340 KG (4.5-7.5 LBS TYP)

UN-MATING FORCE WITH POPULATED BLOCK OF SSMCX PLUGS IS 1.35-2.27 KG (3-5 LBS TYP) LATCH NOT ENGAGED



SEE SHEET 2 FOR OPTIONAL HOLE PATTERN FOR OVERLAPPING HOLES



PCB HOLE PATTERN 73358-0692

PART # 73358-0692

CHG: SEE SHEET 1.	QUALITY SYMBOLS
EC NO: URF2010-0406	▽=0
DRWN: AROBERTSON 2010/01/14	▽=0
CHKD: SSS 2010/01/15	
APPR: JWIENER 2010/01/15	
REV	DESCRIPTION
A	

GENERAL TOLERANCES (UNLESS SPECIFIED)
4 PLACES ± --- ± ---
3 PLACES ± --- ± ---
2 PLACES ± --- ± ---
1 PLACE ± --- ± ---
ANGULAR ± 2 °
DRAFT WHERE APPLICABLE MUST REMAIN WITHIN DIMENSIONS

DIMENSION STYLE	SCALE
MM/IN	INCH
DRAWN BY	DATE
AROBERTSON	2010/01/14
CHECKED BY	DATE
SSS	
APPROVED BY	DATE
MATERIAL NO.	DOCUMENT NO.
733580692	SD-73358-069
SIZE	SHEET NO.
C	4 OF 4

DESIGN UNITS	THIRD ANGLE PROJECTION
INCH	
TITLE	
SSMCX J RA STD PCB TALL	
MF GANG 4/6/8 50 OHM	
SSMCX-J/PCB, EWR-4289	
MOLEX INCORPORATED	