

THIS DRAWING IS UNPUBLISHED.

RELEASED FOR PUBLICATION

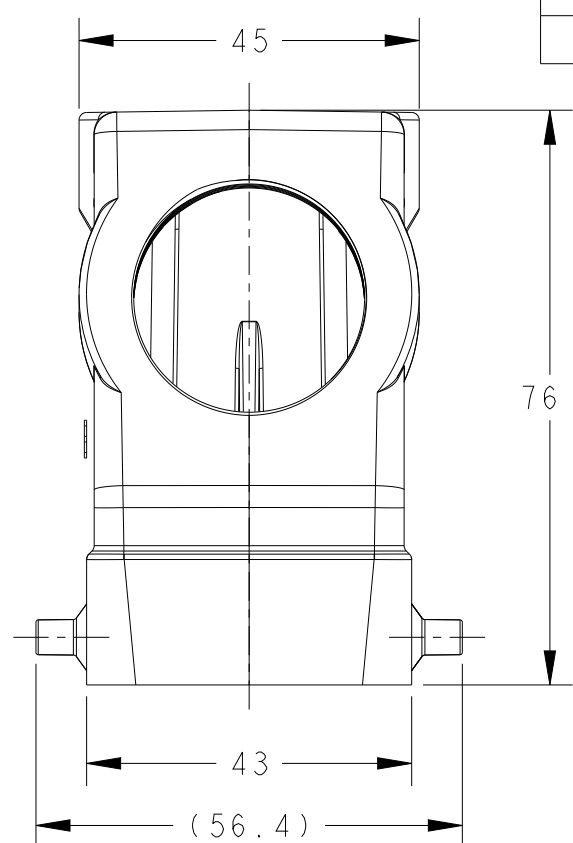
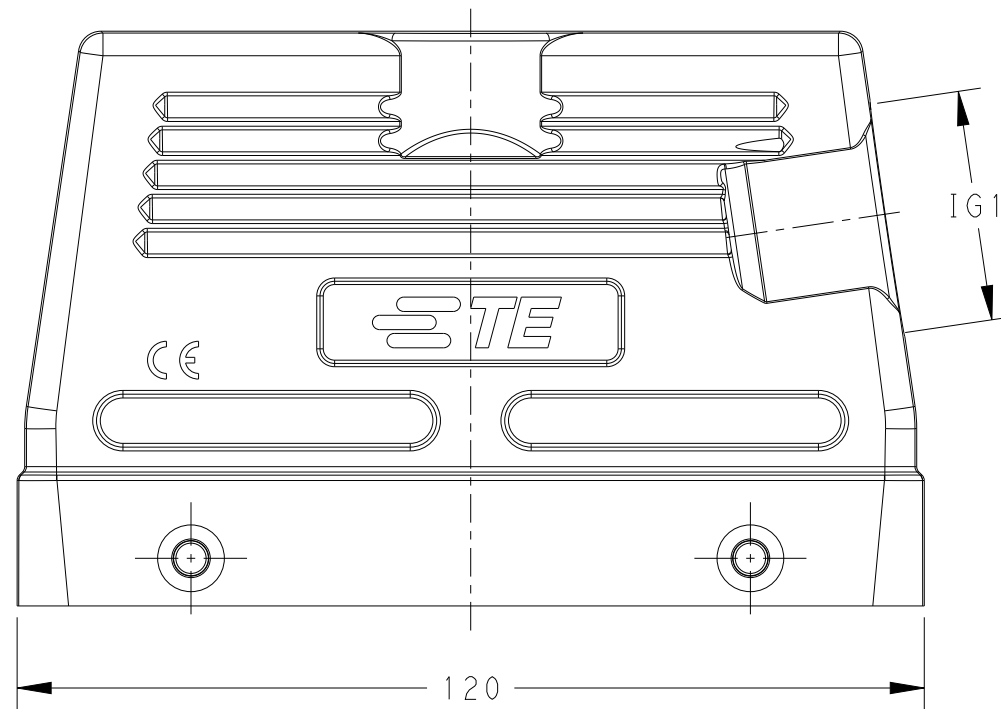
20

© COPYRIGHT 20 BY -

ALL RIGHTS RESERVED.

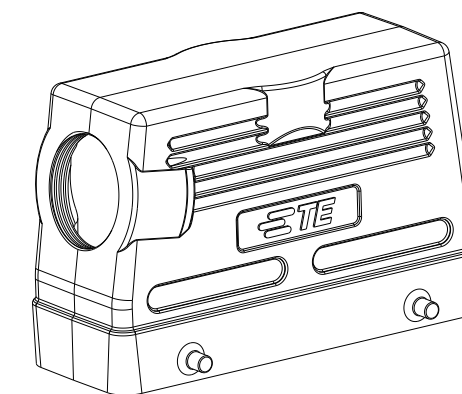
REVISIONS

P	LTR	DESCRIPTION	DATE	DWN	APVD
	A	INITIAL	02JUN2015	DW	CW
	B	ECR-20-014876	28OCT2020	WQR	CW

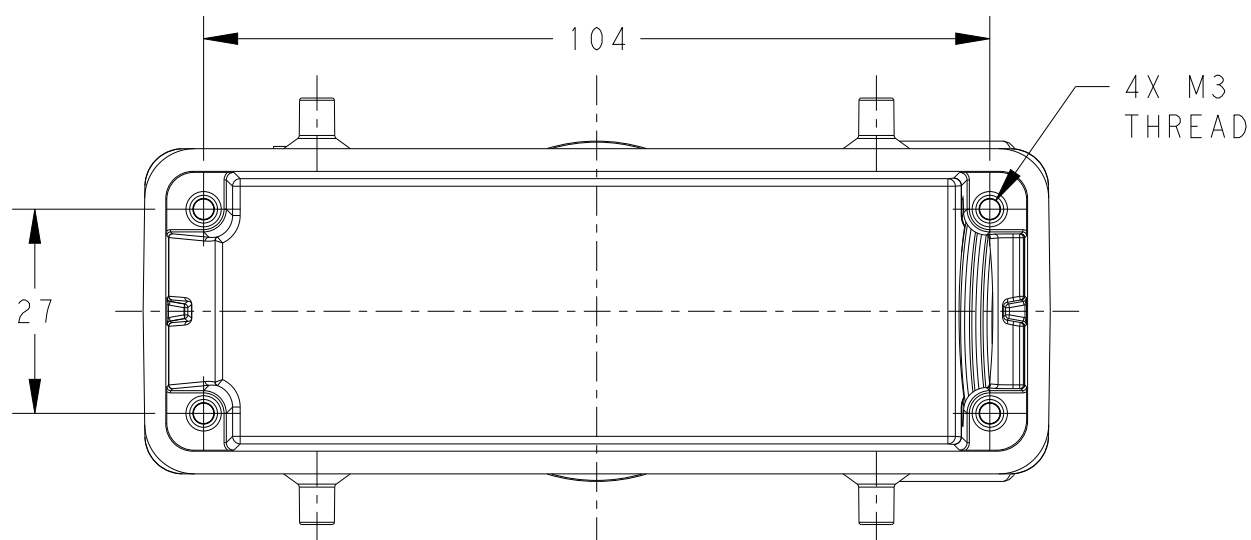


NOTES:  
 1. TECHNICAL CHARACTERISTICS:  
 HOOD MATERIAL: DIE CAST ALUMINIUM ALLOY  
 SURFACE: STOVING VARNISH  
 DEGREE OF PROTECTION: IP65 (MATED)


注释:  
 1. 技术参数:  
 上壳材料: 铝合金  
 表面处理: 烤漆  
 防护等级: IP65(配合)



SCALE 1:2



T1230246132-000	H24B-TSH-M32 STOVING VARNISH	HIGH CONSTRUCTION	M32
PART NUMBER	DESCRIPTION	TYPE	IG1

THIS DRAWING IS A CONTROLLED DOCUMENT.		DWN 02JUN2015 David Wang	 TE Connectivity		
DIMENSIONS: mm		CHK 02JUN2015 Chris Wang			NAME
TOLERANCES UNLESS OTHERWISE SPECIFIED:		APVD 02JUN2015 Xiang Xu			H24B-TSH-M32 STOVING VARNISH
0 PLC ±- 1 PLC ±- 2 PLC ±- 3 PLC ±- 4 PLC ±- ANGLES ±-		PRODUCT SPEC 108-137013			SIZE
MATERIAL		APPLICATION SPEC 114-137013	CAGE CODE	DRAWING NO	RESTRICTED TO
		WEIGHT	A300779		©-T1230246132000
		Customer Drawing	SCALE	SHEET	REV
			1:1	1 OF 1	B