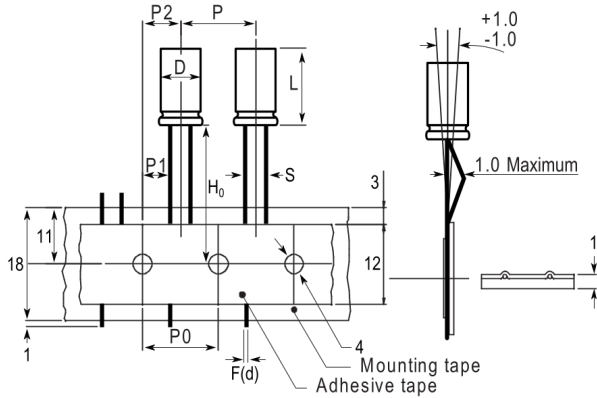


Straight Leads Diameter > 8  
Lead and packaging code EA and KA



Note: '(j)' correspond to the letters used in the product bulletin

Click [here](#) for the 3D model.

### Dimensions

|             |                |
|-------------|----------------|
| D           | 10mm +/-0.5mm  |
| L           | 16mm +2.0/-0mm |
| S           | 5mm +/-0.5mm   |
| LL Negative | 15mm MIN       |
| LL Positive | 20mm MIN       |
| F           | 0.6mm NOM      |

### Packaging Specifications

|                    |      |
|--------------------|------|
| Packaging          | T&R  |
| Packaging Quantity | 1200 |

### General Information

|             |                                    |
|-------------|------------------------------------|
| Series      | ESY                                |
| Dielectric  | Aluminum Electrolytic              |
| Description | Single Ended Aluminum Electrolytic |
| RoHS        | Yes                                |
| Lead        | Wire Leads                         |
| AEC-Q200    | No                                 |

### Specifications

|                         |                         |
|-------------------------|-------------------------|
| Capacitance             | 330 uF                  |
| Capacitance Tolerance   | 20%                     |
| Voltage DC              | 35 VDC, 44 VDC (Surge)  |
| Temperature Range       | -40/+105°C              |
| Rated Temperature       | 105°C                   |
| Life                    | 4000 Hrs                |
| Dissipation Factor      | 12%                     |
| Resistance              | 0.038 Ohms (100kHz 25C) |
| Ripple Current          | 1430 mAmps (120Hz 105C) |
| Leakage Current         | 115.5 uA (2min 20°C)    |
| Impedance Ratio at -25C | 2                       |
| Impedance Ratio at -40C | 3                       |