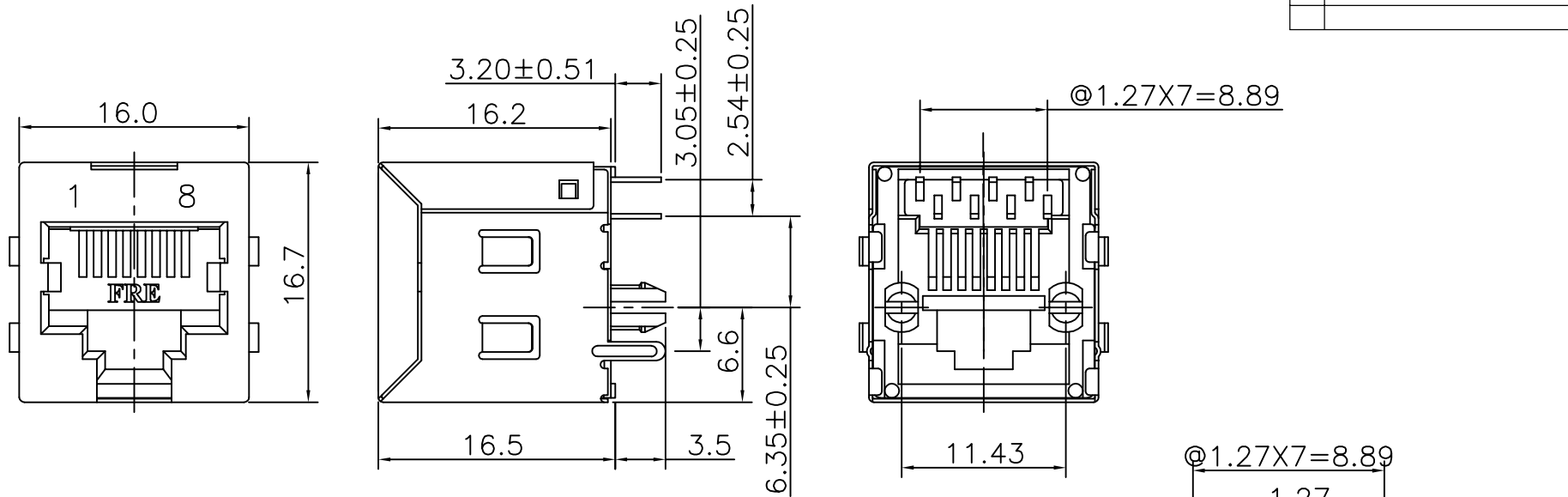


REVISION RECORD		
REV	DESCRIPTION	DRFT



**NOTES:**

**ELECTRICAL:**

- VOLTAGE RATING : 125 VAC RMS.
- CURRENT RATING : 1.5 AMP.
- CONTACT RESISTANCE : 40 MILLIOHMS MAX.
- INSULATION RESISTANCE: 1000 MEGOHMS MIN @ 500 VDC.
- DIELECTRIC STRENGTH : 1000 VDC RMS 60Hz, 1MIN.

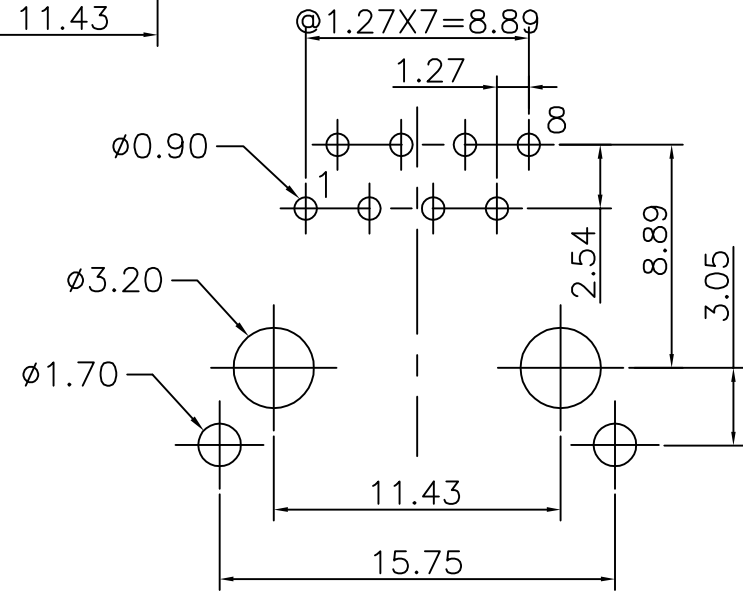
**MECHANICAL:**

- HOUSING MATERIAL : GLASS FIBER FILLED PBT UL94V-0. COLOR-BLACK
- CONTACT MATERIAL : PHOSPHOR BRONZE t=0.35mm.
- PLATING : GOLD PLATING OVER NICKEL.
- OPERATING LIFE : 750 CYCLES MIN.
- PCB RETENTION PRE-SOLDER : 1 LB MIN.
- PCB RETENTION POST-SOLDER: 10 LBS MIN.

**ENVIRONMENTAL:**

- STORAGE TEMPERATURE : -40°C TO +85°C.
- OPERATION TEMPERATURE: -40°C TO +85°C.
- WAVE SOLDER TEMPERATURE: 235~245°C (3~5 SECONDS).
- RoHS COMPLIANT.

MATES WITH MODULAR PLUG CONFORMING TO FCC PART 68, SUBPART F.  
CUL FILE NO. E163191



PC BOARD LAYOUT T=1.60mm  
COMPONENT SIDE SHOWN  
TOLERANCES ±0.05mm

E5288-320044-L	30u"
PART NO.	Au PLATING

		<b>RoHS Compliant</b>			
TOLERANCES EXCEPT AS NOTED MM .0 ± 0.25 ± .00 ± 0.20 ± .000 ± 0.10 ±		TITLE <b>RJ45 TOP ENTRY PCB MODULAR JACK(DIP TYPE)</b>			
ANGLES ± 1° 		DFTO : ELLA DATE : 08/13/2012 SCALE : 3:1	DRAWING NO. CE5288-32004X-L /PART NO. E5288-320044-L	SIZE A3 SHEET 1 OF 1	REV 0