

VC.692 | Lobe knobs with solid section

Technopolymer, easy cleaning

INCH

INOX
STAINLESS
STEEL

RoHS

PA

+266 °F
-22 °F

- 1
- 2
- 3
- 4
- 5
- 6
- 7
- 8
- 9
- 10
- 11
- 12
- 13
- 14
- 15
- 16
- 17
- 18

MATERIAL

Glass-fibre reinforced polyamide based (PA) technopolymer, black colour, matte finish.

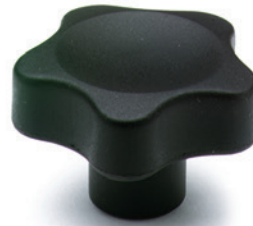
STANDARD EXECUTIONS

- **VC.692-B**: brass boss, threaded blind hole.
- **VC.692-SST**: AISI 303 stainless steel boss, threaded blind hole.
- **VC.692-p**: zinc-plated steel threaded stud, chamfered flat end according to ISO 4753 (see Technical Data on page A-10).
- **VC.692-SST-p**: AISI 303 stainless steel threaded stud, chamfered flat end according to ISO 4753 (see Technical Data on page A-10).

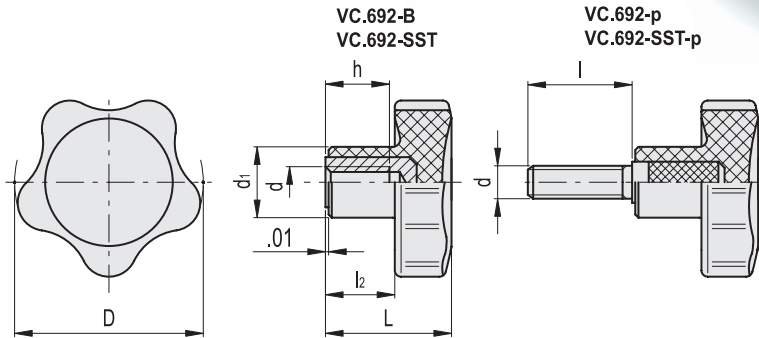
FEATURES AND APPLICATIONS

The exclusive five-lobe shape (ELESA original design) offers the operator's fingers a proper grip and prevents unhealthy residues from depositing thanks to its solid shape without cavities.

This knob is particularly suitable for applications on machines and equipment whose parts, for hygienic reasons, must be frequently cleaned also using water or steam jets.



ELESA Original design



VC.692-B

Code	Description	D	d2B	L	d1	l2	h	Δ
967411	VC.692/25 B-1/4-20	0.98	1/4-20	0.79	0.47	0.39	0.39	0.02
967412	VC.692/25 B-8-32	0.98	8-32	0.79	0.47	0.39	0.39	0.02
967414	VC.692/25 B-10-32	0.98	10-32	0.79	0.47	0.39	0.39	0.02
967422	VC.692/32 B-10-32	1.26	10-32	0.89	0.55	0.49	0.39	0.03
967424	VC.692/32 B-1/4-20	1.26	1/4-20	0.89	0.55	0.49	0.39	0.03
967432	VC.692/40 B-1/4-20	1.57	1/4-20	1.02	0.59	0.55	0.47	0.06
967434	VC.692/40 B-5/16-18	1.57	5/16-18	1.02	0.59	0.55	0.51	0.05
967435	VC.692/40 B-3/8-16	1.57	3/8-16	1.02	0.59	0.55	0.51	0.07
967442	VC.692/50 B-5/16-18	1.97	5/16-18	1.22	0.71	0.67	0.59	0.1
967444	VC.692/50 B-3/8-16	1.97	3/8-16	1.22	0.71	0.67	0.67	0.09
967451	VC.692/60 B-3/8-16	2.36	3/8-16	1.44	0.83	0.83	0.79	0.14
967452	VC.692/60 B-1/2-13	2.36	1/2-13	1.44	0.83	0.83	0.79	0.12

INCH

VC.692-SST

Code	Description	D	d2B	L	d1	l2	h	Δ
967416	VC.692/25 SST-8-32	0.98	8-32	0.79	0.47	0.39	0.24	0.01
967418	VC.692/25 SST-10-32	0.98	10-32	0.79	0.47	0.39	0.39	0.01
967425	VC.692/32 SST-10-32	1.26	10-32	0.89	0.55	0.49	0.39	0.03
967426	VC.692/32 SST-1/4-20	1.26	1/4-20	0.89	0.55	0.49	0.39	0.03
967436	VC.692/40 SST-1/4-20	1.57	1/4-20	1.02	0.59	0.55	0.51	0.05
967438	VC.692/40 SST-5/16-18	1.57	5/16-18	1.02	0.59	0.55	0.51	0.05
967439	VC.692/40 SST-3/8-16	1.57	3/8-16	1.02	0.59	0.55	0.51	0.07
967446	VC.692/50 SST-5/16-18	1.97	5/16-18	1.22	0.71	0.67	0.67	0.09
967448	VC.692/50 SST-3/8-16	1.97	3/8-16	1.22	0.71	0.67	0.67	0.09
967454	VC.692/60 SST-3/8-16	2.36	3/8-16	1.44	0.83	0.83	0.79	0.12
967456	VC.692/60 SST-1/2-13	2.36	1/2-13	1.44	0.83	0.83	0.79	0.12

INOX
STAINLESS
STEEL

INCH

Clamping knobs



VC.692-p

INCH

Code	Description	D	d2A	L	d1	l	l2	Δ	Δ
967602	VC.692/25 p-10-32x1/2	0.98	10-32	0.79	0.47	0.500	0.39	0.01	
967604	VC.692/25 p-10-32x3/4	0.98	10-32	0.79	0.47	0.750	0.39	0.01	
967611	VC.692/25-p-1/4-20x1/2	0.98	1/4-20	0.79	0.47	0.500	0.39	0.02	
967612	VC.692/25-p-1/4-20x3/4	0.98	1/4-20	0.79	0.47	0.750	0.39	0.02	
967613	VC.692/25-p-1/4-20x1	0.98	1/4-20	0.79	0.47	1.000	0.39	0.02	
967614	VC.692/25-p-1/4-20x1½	0.98	1/4-20	0.79	0.47	1.500	0.39	0.03	
967621	VC.692/32 p-1/4-20x1/2	1.26	1/4-20	0.89	0.55	0.500	0.49	0.03	
967622	VC.692/32 p-1/4-20x3/4	1.26	1/4-20	0.89	0.55	0.750	0.49	0.03	
967624	VC.692/32 p-1/4-20x1	1.26	1/4-20	0.89	0.55	1.000	0.49	0.04	
967626	VC.692/32 p-1/4-20x1½	1.26	1/4-20	0.89	0.55	1.500	0.49	0.04	
967641	VC.692/32 p-5/16-18x3/4	1.26	5/16-18	0.89	0.55	0.750	0.49	0.04	
967642	VC.692/32 p-5/16-18x1	1.26	5/16-18	0.89	0.55	1.000	0.49	0.04	
967643	VC.692/32 p-5/16-18x1½	1.26	5/16-18	0.89	0.55	1.250	0.49	0.04	
967652	VC.692/40 p-5/16-18x3/4	1.57	5/16-18	1.02	0.59	0.750	0.55	0.04	
967654	VC.692/40 p-5/16-18x1	1.57	5/16-18	1.02	0.59	1.000	0.55	0.06	
967656	VC.692/40 p-5/16-18x1½	1.57	5/16-18	1.02	0.59	1.250	0.55	0.06	
967658	VC.692/40 p-5/16-18x1¾	1.57	5/16-18	1.02	0.59	1.500	0.55	0.07	
967669	VC.692/40 p-3/8-16x3/4	1.57	3/8-16	1.02	0.59	0.750	0.55	0.07	
967670	VC.692/40 p-3/8-16x1	1.57	3/8-16	1.02	0.59	1.000	0.55	0.08	
967672	VC.692/40 p-3/8-16x1¼	1.57	3/8-16	1.02	0.59	1.250	0.55	0.09	
967671	VC.692/40 p-3/8-16x1½	1.57	3/8-16	1.02	0.59	1.500	0.55	0.1	
967681	VC.692/50 p-3/8-16x3/4	1.97	3/8-16	1.22	0.71	0.750	0.67	0.1	
967683	VC.692/50 p-3/8-16x1	1.97	3/8-16	1.22	0.71	1.000	0.67	0.11	
967685	VC.692/50 p-3/8-16x1¼	1.97	3/8-16	1.22	0.71	1.250	0.67	0.13	
967686	VC.692/50 p-3/8-16x1½	1.97	3/8-16	1.22	0.71	1.500	0.67	0.14	
967705	VC.692/60 p-3/8-16x3/4	2.36	3/8-16	1.44	0.83	0.750	0.83	0.12	
967706	VC.692/60 p-3/8-16x1	2.36	3/8-16	1.44	0.83	1.000	0.83	0.13	
967707	VC.692/60 p-3/8-16x1¼	2.36	3/8-16	1.44	0.83	1.250	0.83	0.13	
967708	VC.692/60 p-3/8-16x1½	2.36	3/8-16	1.44	0.83	1.500	0.83	0.14	
967709	VC.692/60 p-3/8-16x2	2.36	3/8-16	1.44	0.83	2.000	0.83	0.14	
967710	VC.692/60 p-3/8-16x2½	2.36	3/8-16	1.44	0.83	2.500	0.83	0.15	
967715	VC.692/60 p-1/2-13x1½	2.36	1/2-13	1.44	0.83	1.500	0.83	0.18	

VC.692-SST-p

INOX STAINLESS STEEL

INCH

Code	Description	D	d2A	L	d1	l	l2	Δ	Δ
967606	VC.692/25 SST-p-10-32x1/2	0.98	10-32	0.79	0.47	0.500	0.39	0.02	
967608	VC.692/25 SST-p-10-32x3/4	0.98	10-32	0.79	0.47	0.750	0.39	0.02	
967616	VC.692/25 SST-p-1/4-20x1/2	0.98	1/4-20	0.79	0.47	0.500	0.39	0.02	
967617	VC.692/25 SST-p-1/4-20x3/4	0.98	1/4-20	0.79	0.47	0.750	0.39	0.03	
967618	VC.692/25 SST-p-1/4-20x1	0.98	1/4-20	0.79	0.47	1.000	0.39	0.03	
967619	VC.692/25 SST-p-1/4-20x1½	0.98	1/4-20	0.79	0.47	1.500	0.39	0.03	
967631	VC.692/32 SST-p-1/4-20x1/2	1.26	1/4-20	0.89	0.55	0.500	0.49	0.03	
967632	VC.692/32 SST-p-1/4-20x3/4	1.26	1/4-20	0.89	0.55	0.750	0.49	0.04	
967634	VC.692/32 SST-p-1/4-20x1	1.26	1/4-20	0.89	0.55	1.000	0.49	0.04	
967636	VC.692/32 SST-p-1/4-20x1½	1.26	1/4-20	0.89	0.55	1.500	0.49	0.04	
967646	VC.692/32 SST-p-5/16-18x3/4	1.26	5/16-18	0.89	0.55	0.750	0.49	0.05	
967647	VC.692/32 SST-p-5/16-18x1	1.26	5/16-18	0.89	0.55	1.000	0.49	0.05	
967648	VC.692/32 SST-p-5/16-18x1¼	1.26	5/16-18	0.89	0.55	1.250	0.49	0.05	
967659	VC.692/40 SST-p-1/4-20x1/2	1.57	1/4-20	1.02	0.59	0.500	0.55	0.04	
967660	VC.692/40 SST-p-1/4-20x5/8	1.57	1/4-20	1.02	0.59	0.625	0.55	0.05	
967661	VC.692/40 SST-p-1/4-20x3/4	1.57	1/4-20	1.02	0.59	0.750	0.55	0.06	
967662	VC.692/40 SST-p-5/16-18x3/4	1.57	5/16-18	1.02	0.59	0.750	0.55	0.06	
967664	VC.692/40 SST-p-5/16-18x1	1.57	5/16-18	1.02	0.59	1.000	0.55	0.06	
967666	VC.692/40 SST-p-5/16-18x1¼	1.57	5/16-18	1.02	0.59	1.250	0.55	0.07	
967668	VC.692/40 SST-p-5/16-18x1½	1.57	5/16-18	1.02	0.59	1.500	0.55	0.07	
967674	VC.692/40 SST-p-3/8-16x3/4	1.57	3/8-16	1.02	0.59	0.750	0.55	0.07	
967675	VC.692/40 SST-p-3/8-16x1	1.57	3/8-16	1.02	0.59	1.000	0.55	0.08	
967677	VC.692/40 SST-p-3/8-16x1¼	1.57	3/8-16	1.02	0.59	1.250	0.55	0.08	
967676	VC.692/40 SST-p-3/8-16x1½	1.57	3/8-16	1.02	0.59	1.500	0.55	0.09	
967701	VC.692/50 SST-p-5/16-18x3/4	1.97	5/16-18	1.22	0.71	0.750	0.67	0.08	
967702	VC.692/50 SST-p-5/16-18x1	1.97	5/16-18	1.22	0.71	1.000	0.67	0.09	
967703	VC.692/50 SST-p-5/16-18x1¼	1.97	5/16-18	1.22	0.71	1.250	0.67	0.09	
967704	VC.692/50 SST-p-5/16-18x1½	1.97	5/16-18	1.22	0.71	1.500	0.67	0.09	
967691	VC.692/50 SST-p-3/8-16x3/4	1.97	3/8-16	1.22	0.71	0.750	0.67	0.1	
967693	VC.692/50 SST-p-3/8-16x1	1.97	3/8-16	1.22	0.71	1.000	0.67	0.11	
967695	VC.692/50 SST-p-3/8-16x1¼	1.97	3/8-16	1.22	0.71	1.250	0.67	0.13	
967696	VC.692/50 SST-p-3/8-16x1½	1.97	3/8-16	1.22	0.71	1.500	0.67	0.15	
967698	VC.692/50 SST-p-3/8-16x2	1.97	3/8-16	1.22	0.71	2.000	0.67	0.15	
967716	VC.692/60 SST-p-3/8-16x3/4	2.36	3/8-16	1.44	0.83	0.750	0.83	0.15	
967717	VC.692/60 SST-p-3/8-16x1	2.36	3/8-16	1.44	0.83	1.000	0.83	0.16	
967718	VC.692/60 SST-p-3/8-16x1¼	2.36	3/8-16	1.44	0.83	1.250	0.83	0.16	
967719	VC.692/60 SST-p-3/8-16x1½	2.36	3/8-16	1.44	0.83	1.500	0.83	0.16	
967720	VC.692/60 SST-p-3/8-16x2	2.36	3/8-16	1.44	0.83	2.000	0.83	0.17	
967721	VC.692/60 SST-p-1/2-13x1	2.36	1/2-13	1.44	0.83	1.000	0.83	0.15	
967723	VC.692/60 SST-p-1/2-13x1¼	2.36	1/2-13	1.44	0.83	1.250	0.83	0.17	
967725	VC.692/60 SST-p-1/2-13x1½	2.36	1/2-13	1.44	0.83	1.500	0.83	0.18	
967727	VC.692/60 SST-p-1/2-13x2	2.36	1/2-13	1.44	0.83	2.000	0.83	0.2	
967729	VC.692/60 SST-p-1/2-13x2¼	2.36	1/2-13	1.44	0.83	2.250	0.83	0.21	
967731	VC.692/60 SST-p-1/2-13x2 3/8	2.36	1/2-13	1.44	0.83	2.375	0.83	0.22	