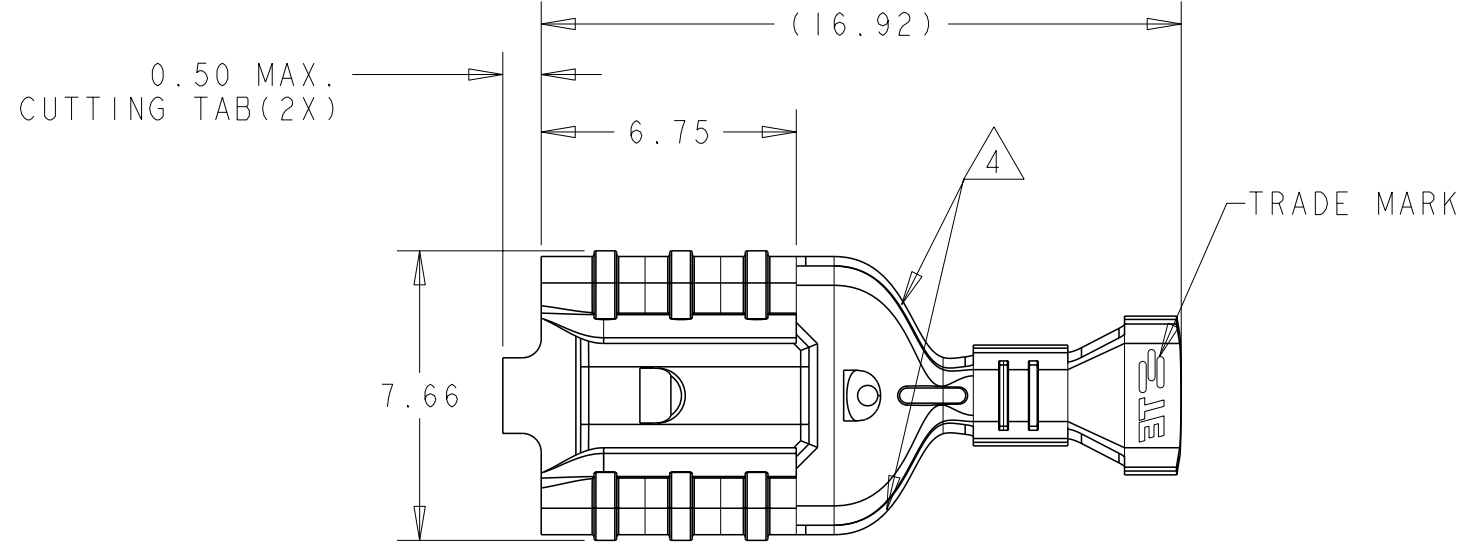
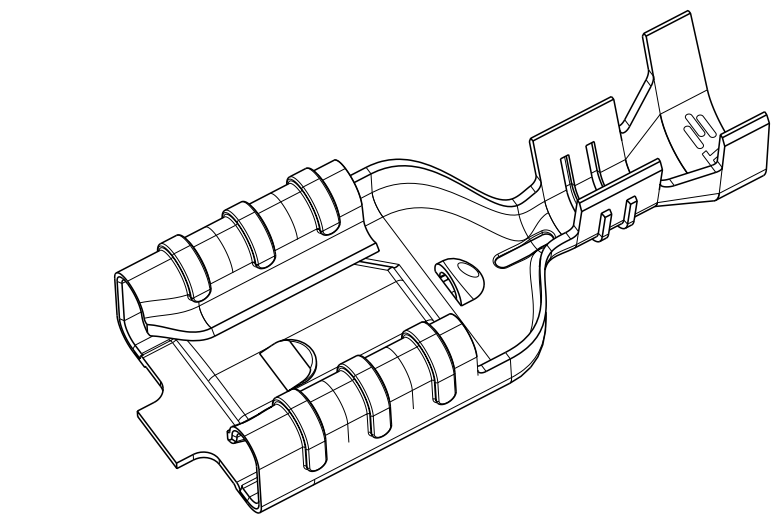
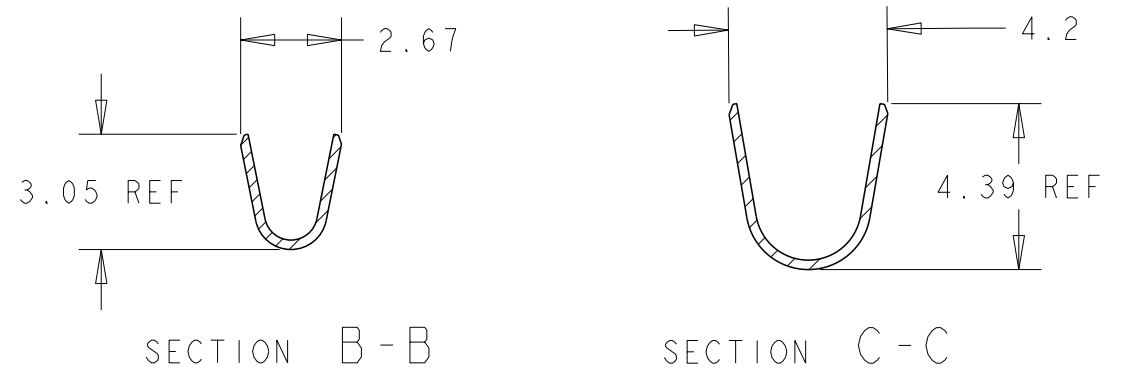
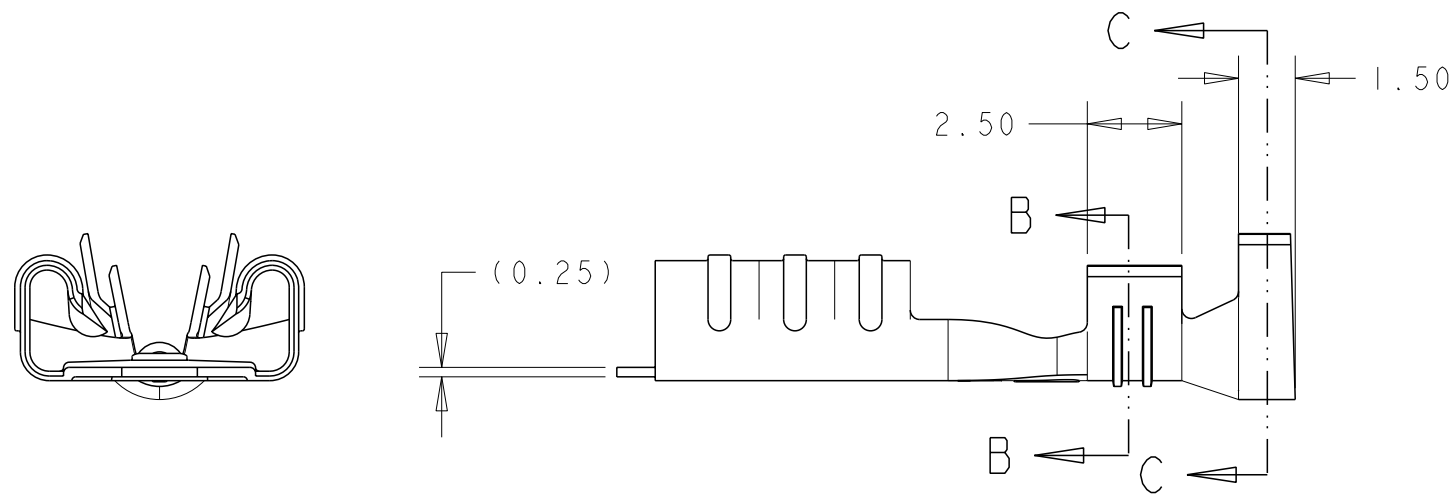


REVISIONS

P	LTR	DESCRIPTION	DATE	DWN	APVD
	A	NEW DRAWING	19MAY2021	DL	EW
	A1	REVISED PER ECR-21-107283	15JUL2021	SS	EW



- 1 WIRE RANGE:AWG 18-16, INSULATION RANGE:2.5-3.0 mm²
- 2 CONTINUE STRIP ON REEL
- 3 MATING TAB THICKNESS:0.80MM
- △ 4 DIE MARK HERE FOR SPECIFIC STRIP
- 5 HANDING REEL PRODUCT REFER TO 408-9816



-	BRASS THICKNESS	2366407-2
PRE-TIN	BRASS THICKNESS	2366407-1
FINISH	MATERIAL	PART NUMBER

THIS DRAWING IS A CONTROLLED DOCUMENT.		DWN 24AUG2020 BASAVARAJA D A		
DIMENSIONS: mm		CHK 24AUG2020 DAISY LI		
TOLERANCES UNLESS OTHERWISE SPECIFIED:		APVD 24AUG2020 WANG ERIC	NAME 250 FASTON RECEPTACLE	
0 PLC ±-		PRODUCT SPEC 108-106542	SIZE CAGE CODE DRAWING NO RESTRICTED TO	
1 PLC ±0.30		APPLICATION SPEC 114-106546	A300779 C-2366407	
2 PLC ±0.30		WEIGHT -	SCALE 5:1 SHEET 1 OF 1 REV A1	
3 PLC ±0.25		CUSTOMER DRAWING		
4 PLC ±-				
ANGLES ±3°				
MATERIAL SEE TABLE				
FINISH SEE TABLE				

printed on 15 Jul 2021 12:04 (India Standard Time) from TE411050