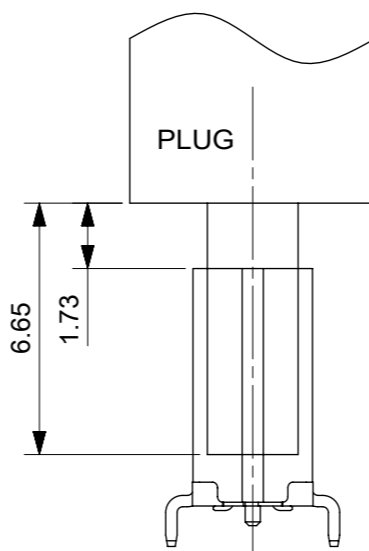
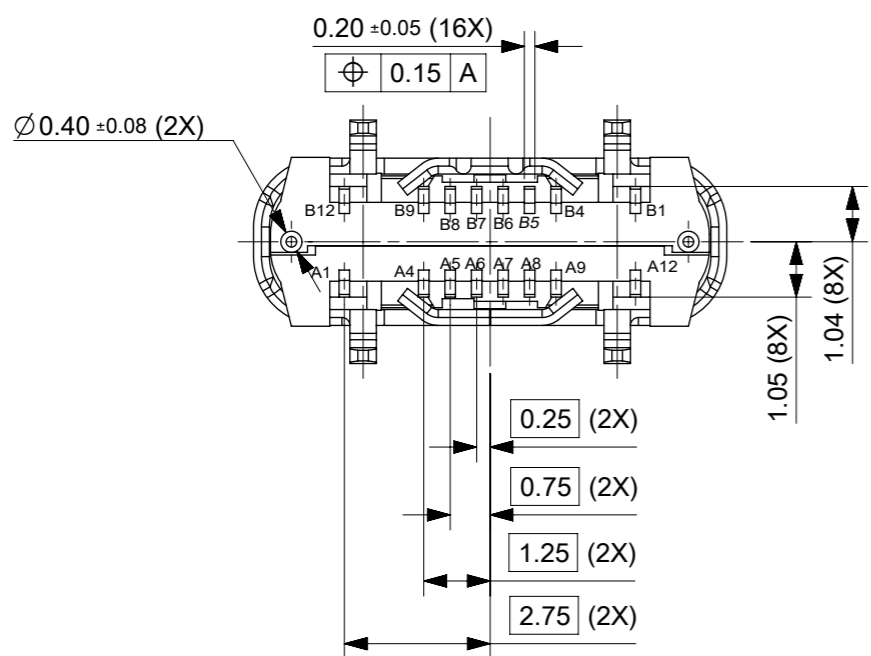


USB TYPE-C PIN ASSIGNMENTS

PIN NUMBER	SIGNAL NAME	PIN NUMBER	SIGNAL NAME
A1	GND	B12	GND
A4	VBUS	B9	VBUS
A5	CC1	B8	SBU2
A6	Dp1	B7	Dn2
A7	Dn1	B6	Dp2
A8	SBU1	B5	CC2
A9	VBUS	B4	VBUS
A12	GND	B1	GND



FEMALE AND MALE MATCHING DRAWING

THIS DRAWING CONTAINS INFORMATION THAT IS PROPRIETARY TO MOLEX ELECTRONIC TECHNOLOGIES, LLC AND SHOULD NOT BE USED WITHOUT WRITTEN PERMISSION

DIMENSION UNITS	SCALE	CURRENT REV DESC:		molex	
mm	1:1				
GENERAL TOLERANCES (UNLESS SPECIFIED)		EC NO: 657457		TYPE C 16 PIN VERTICAL SMT L=6.4	
ANGULAR TOL ± 3.0°		DRWN: RZHANG		2021/03/19	
4 PLACES ±		CHK'D: AYIN		2021/04/06	
3 PLACES ± 0.1		APPR: AYIN		2021/04/06	
2 PLACES ± 0.2		INITIAL REVISION:		DOCUMENT NUMBER	
1 PLACE ± 0.3		DRWN: RZHANG		2021/01/29	
0 PLACES ±		APPR: AYIN		2021/02/05	
DRAFT WHERE APPLICABLE MUST REMAIN WITHIN DIMENSIONS		THIRD ANGLE PROJECTION	DRAWING	SERIES	MATERIAL NUMBER
			A3-SIZE	217182	2171820001
				CUSTOMER	SHEET NUMBER
					1 OF 2

NOTES:

1.MATERIAL SPECIFICATION:

- 1.1.HOUSING:HIGH TEMPERATURE RESISTANT PLASTIC,UL94 V-0.
- 1.2.CONTACTS:COPPER ALLOY
- 1.3.MIDDLE CLIP: STAINLESS STEEL
- 1.4.SHELL: STAINLESS STEEL

2.PLATING:

- 2.1 TERMINAL:OVERALL PLATING Ni BASE 50u' MIN.
FUNCTIONAL AREA Au PLATING G/F
SOLDER AREA Au PLATING G/F

- 2.2. SHELL: 50u' NICKEL PLATING ON SOLDERING AREA.

- 2.3. MIDDLE CLIP :CLEANING

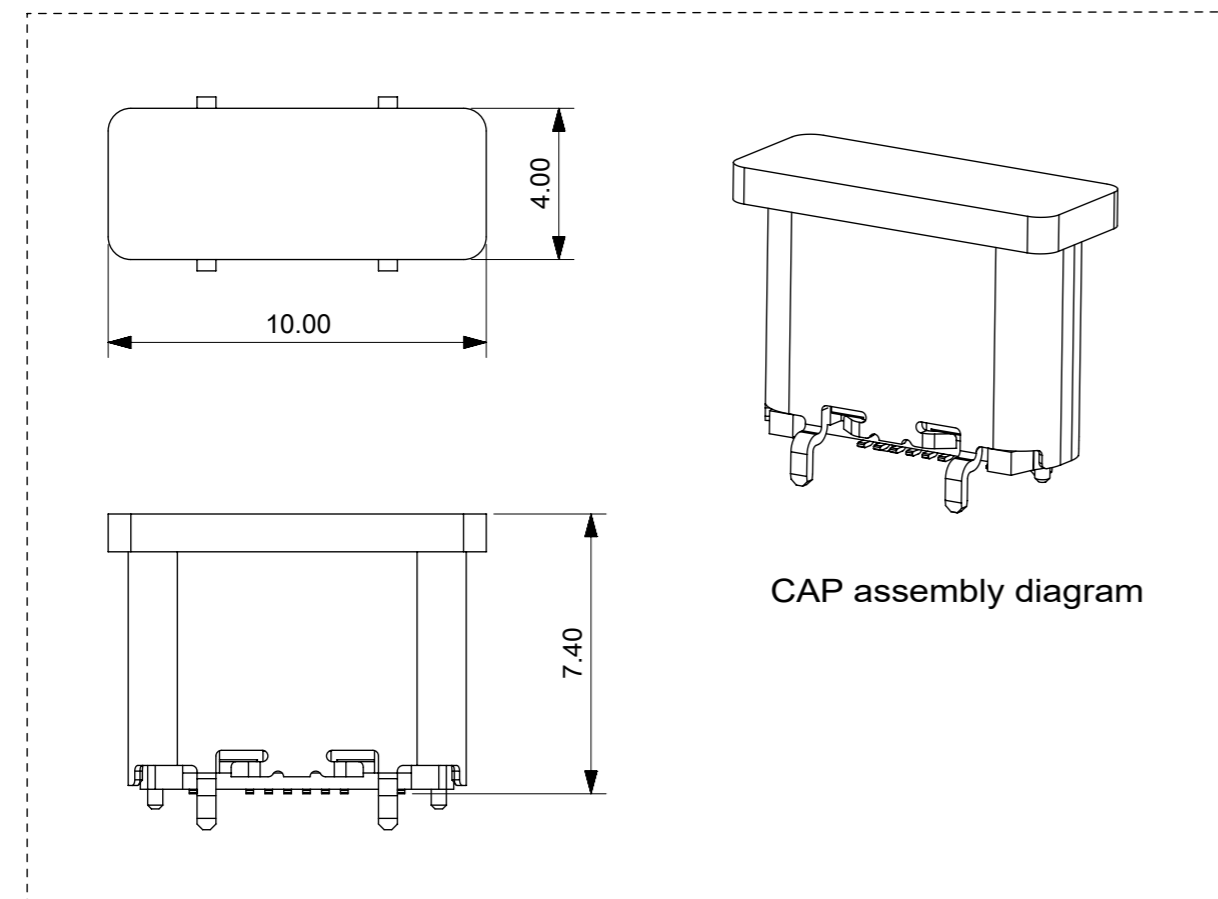
- 3. PRODUCT SPEC: 2169900001

- 4. PACKAGE SPEC:2171820001PDDPK1

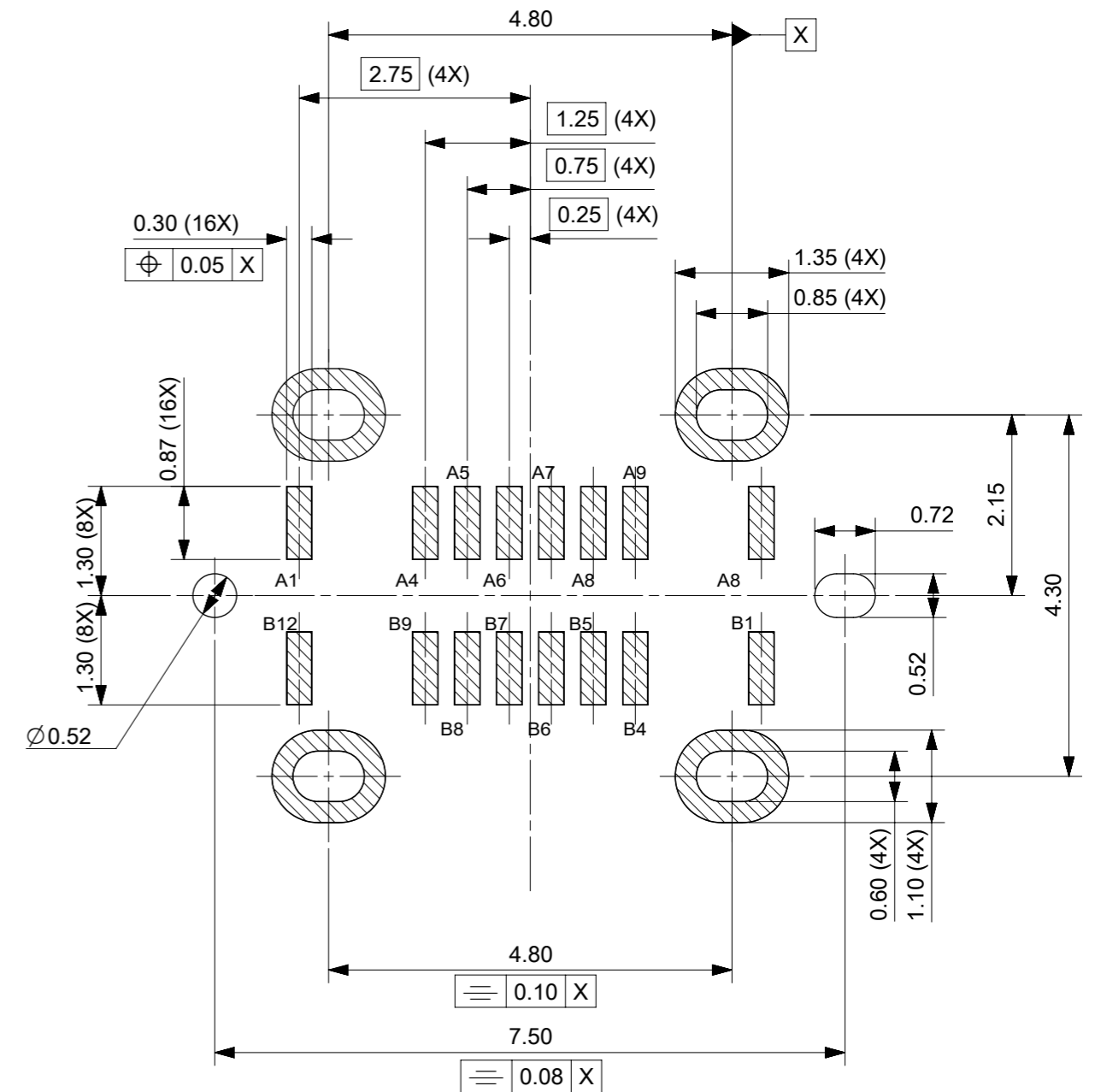
- 5. PRODUCT COMPLIANT TO RIHS DIRECTIVE 2011/95/EU

- 6. PLEASE CONTACT YOUR SALES REPRESENTATIVE IF INTENDED FOR AUTOMOTIVE

- 7. DATE CODE: YY WW D
YEAR WEEK DAY



CAP assembly diagram



RECOMMENDED PCB LAYOUT (TOP VIEW)
THICKNESS IS 0.8MM, DEFULT TOLERANCE IS ±0.05

THIS DRAWING CONTAINS INFORMATION THAT IS PROPRIETARY TO MOLEX ELECTRONIC TECHNOLOGIES, LLC AND SHOULD NOT BE USED WITHOUT WRITTEN PERMISSION											
DIMENSION UNITS		SCALE		CURRENT REV DESC:						molex	
mm		1:1									
GENERAL TOLERANCES (UNLESS SPECIFIED)										TYPE C 16 PIN VERTICAL SMT L=6.4	
ANGULAR TOL ± 3.0°				EC NO: 657457						PRODUCT CUSTOMER DRAWING	
4 PLACES ±				DRWN: RZHANG 2021/03/19						DOCUMENT NUMBER	
3 PLACES ± 0.1				CHK'D: AYIN 2021/04/06						2171820001	
2 PLACES ± 0.2				APPR: AYIN 2021/04/06						DOC TYPE	
1 PLACE ± 0.3				INITIAL REVISION:						DOC PART	
0 PLACES ±				DRWN: RZHANG 2021/01/29						REVISION	
				APPR: AYIN 2021/02/05						A1	
DRAFT WHERE APPLICABLE MUST REMAIN WITHIN DIMENSIONS		THIRD ANGLE PROJECTION		DRAWING		SERIES		MATERIAL NUMBER		CUSTOMER	
		A3-SIZE		217182		2171820001				SHEET NUMBER	
										2 OF 2	