

PRODUCT NUMBER  
20020039-XXXXXXLF

20020039 — □ □ □ □ B 0 □ L F

PITCH

C: 3.50 mm  
D: 3.81 mm  
H: 5.08 mm

POLES

02: 2 POLES  
03: 3 POLES  
.....  
24: 24 POLES

LF : DENOTED RoHS COMPATIBLE

1 : STANDARD PRODUCT  
W/ BOX PACKING

HOUSING CODE

CODE	COLOR	AVAILABILITY
1	GREEN(RAL 6018/T)	STANDARD
2	BLACK	ON REQUEST ONLY
3	GREY(RAL 7004/P)	ON REQUEST ONLY
4	BLUE(RAL 5015/A)	ON REQUEST ONLY

PROPERTY TABLE					
FCI SERIES NAME		35-350	35-381	35-508	
PITCH (mm)		3.50	3.81	5.08	
VOLTAGE RATING (VAC)		300	300	300	
CURRENT RATING (A)		8	8	10	
APPLICABLE WIRE RANGE (AWG)	1-WIRE	16~28	16~28	12~26	
	2-WIRE	NA	NA	NA	
WIRE CROSS SECTION (mm <sup>2</sup> )	SOLID	1-WIRE	1.5	1.5	2.5
		2-WIRE	NA	NA	NA
	STRANDED	1-WIRE	1.5	1.5	2.5
		2-WIRE	NA	NA	NA
OPENING CONTACT HOUSING(mm <sup>2</sup> )		2.4x1.7	2.4x1.7	2.2x3.0	
WIRE STRIP LENGTH(mm)		8~9	8~9	9~10	
WITHSTANDING VOLTAGE (kV)		1.6	1.6	1.6	
OPERATING TEMP. (°C)		-40~+115	-40~+115	-40~+115	
POLES AVAILABLE		02~24	02~24	02~24	
SAFETY CERTIFICATE					

NOTES:

1. MATERIALS

- 1-1 HOUSING: THERMALPLASTIC RESIN, UL 94V-0 RATED.
- 1-2 INSULATING LEVER: THERMALPLASTIC RESIN, UL 94V-0 RATED.
- 1-3 WIRE GUARD : STAINLESS STEEL.
- 1-4 TERMINAL: COPPER ALLOY, TIN PLATED.

2. PRODUCT SPECIFICATION REFER TO FCI GS-12-625.

3. PRODUCT PACKING SPECIFICATION REFER TO FCI GS-14-1394.

4. FCI, SAFETY CERTIFICATE LOGO AND SERIES NAME TO BE SHOWN ON PRODUCT SURFACE.

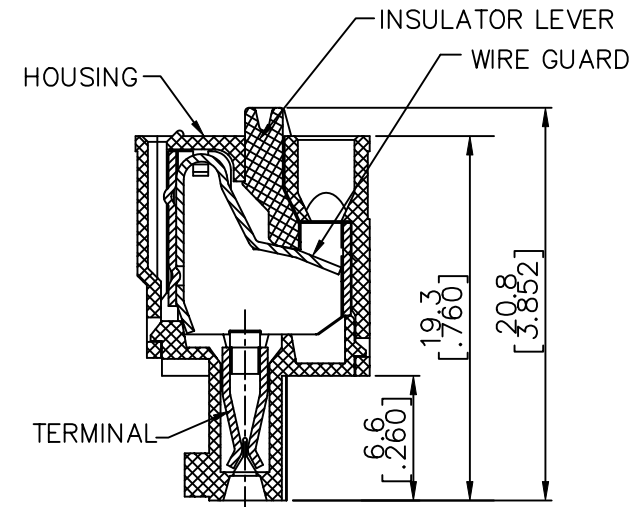
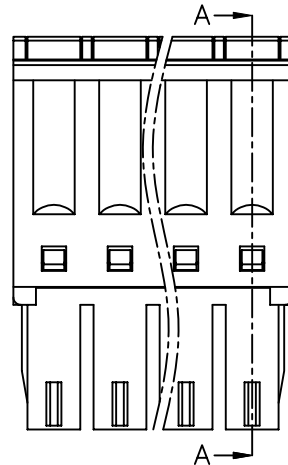
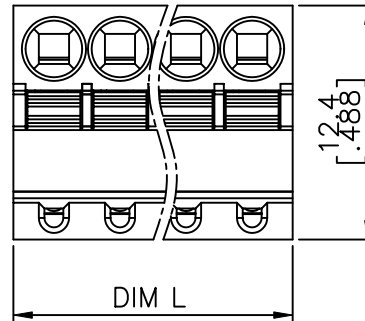
5. THE PRODUCTS WHERE THE PART NUMBER END IN "LF" MEET THE EUROPEAN UNION DIRECTIVE AND OTHER COUNTRY REGULATIONS AS DESCRIBED IN GS-22-008.

mat'l. code		surface ASME Y14.5 ✓		tolerance ASME Y14.5		projection		product family	
ltr		ecn no		dr		date		TERMINAL BLOCK	
A		T11-0004		WL		011811		title	
B		T-005306		WL		082311		TERMINAL BLOCK PLUGGABLE SIGNAL PLUG,MIDDLESIDE CONTACT WITHOUT FLANGE	
		angles		tolerances unless otherwise specified		MM		dwg no	
		X°±1'		X.X±0.5		[INCH]		sheet 1 of 4	
				X.XX±0.1		scale		size	
		dr		WENDY CHEN		122710		A4	
		enr		JASON HSU		122710		20020039	
		chr		JASON HSU		122710		type	
		appd		JASON HSU		122710		CUSTOMER Drawing	
sheet index		revision sheet		B 1		B 2		B 3	
				B 4					

PRODUCT NUMBER	SERIES NAME	PITCH
20020039-CXXXXXLF	35-350	3.50 mm

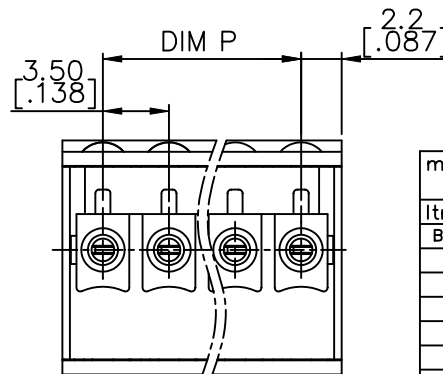
N = Number of poles  
 DIM. L =  $(N \times 3.5 [.138]) + 0.8 [.031]$   
 DIM. P =  $(N - 1) \times 3.5 [.138]$

POLES	DIM. L & P
2-6p	$\pm 0.10 [.004]$
7-12p	$\pm 0.15 [.006]$
13-18p	$\pm 0.20 [.008]$
19-24p	$\pm 0.30 [.012]$



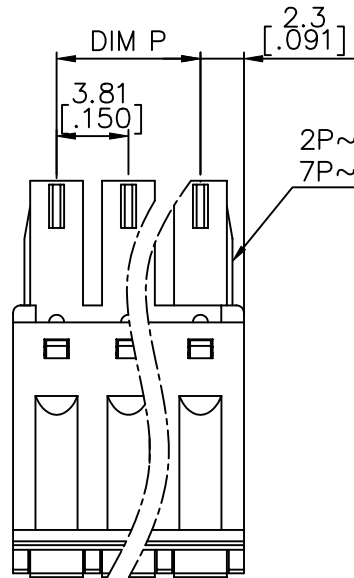
SECTION A-A

2P~6P Ribs on both sides  
 7P~24P No rib

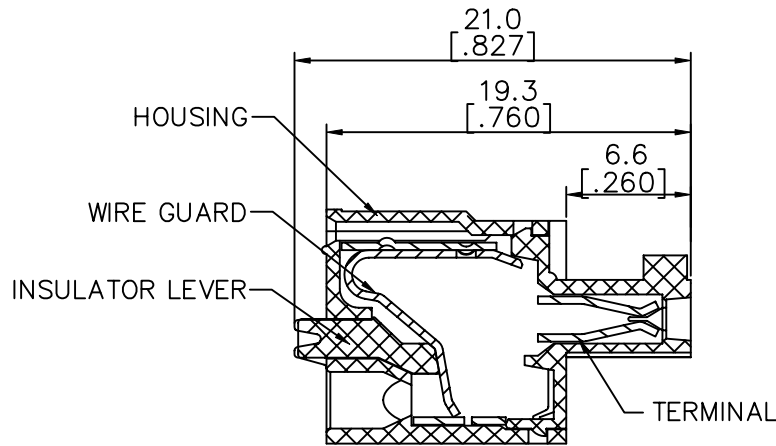
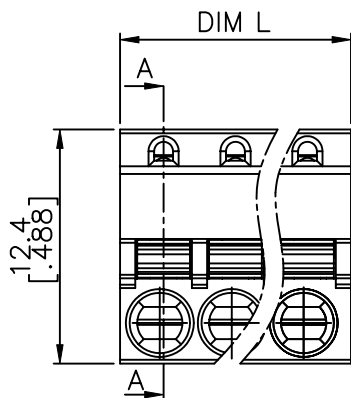


mat'l. code		surface ASME Y14.5	tolerance ASME Y14.5	projection 	product family TERMINAL BLOCK
ltr ecn no dr date		tolerances unless otherwise specified			title TERMINAL BLOCK PLUGGABLE SIGNAL PLUG, MIDDLESIDE CONTACT WITHOUT FLANGE
B		angles X°±1'	linear X.±0.5 X.X±0.3 X.XX±0.1	MM [INCH]	dwg no 20020039
		dr WENDY CHEN 122710	enr JASON HSU 122710	scale	sheet 2 of 4 size A4
		chr JASON HSU 122710	appd JASON HSU 122710		type CUSTOMER Drawing
sheet index	revision sheet				

PRODUCT NUMBER	SERIES NAME	PITCH
20020039-DXXXXXLF	35-381	3.81 mm



2P~6P Ribs on both sides  
7P~24P No rib



SECTION A-A

N = Number of poles  
 DIM. L =  $(N \times 3.81 [.150]) + 0.8 [.031]$   
 DIM. P =  $(N - 1) \times 3.81 [.150]$

POLES	DIM. L	DIM. P
2-6p	$\pm 0.20 [.008]$	$\pm 0.20 [.008]$
7-12p	$\pm 0.25 [.010]$	$\pm 0.25 [.010]$
13-18p	$\pm 0.30 [.012]$	$\pm 0.30 [.012]$
19-24p	$\pm 0.40 [.016]$	$\pm 0.35 [.014]$

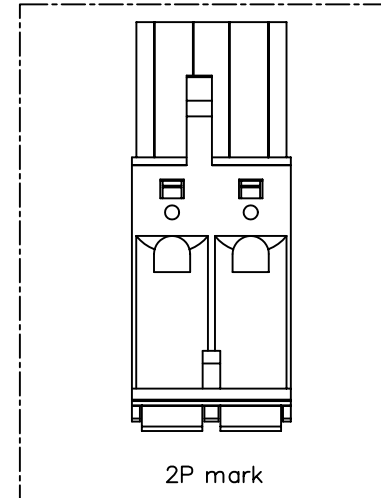
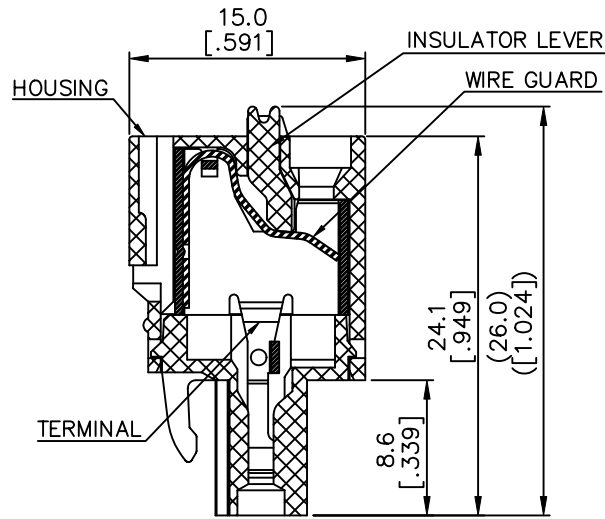
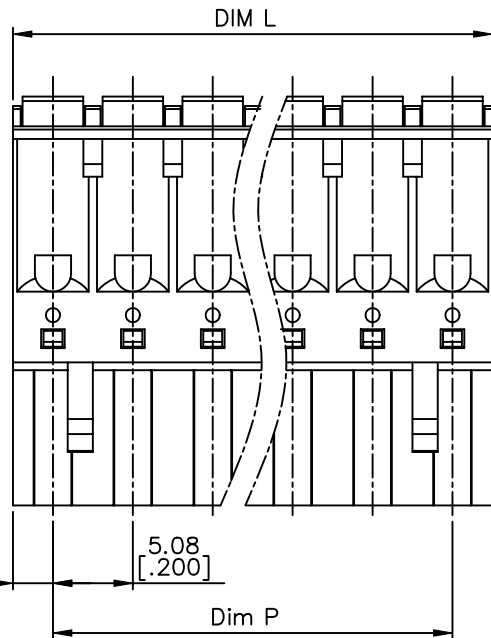
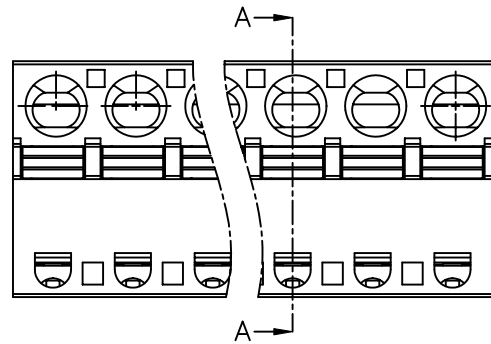
mat'l. code		surface ASME Y14.5	tolerance ASME Y14.5	projection 	product family TERMINAL BLOCK
ltr	ecn no	dr	date	title TERMINAL BLOCK PLUGGABLE SIGNAL PLUG, MIDDLESIDE CONTACT WITHOUT FLANGE	
B				angles X ± 0.5 X.X ± 0.3 X.XX ± 0.1	scale MM [INCH]
		dr	WENDY CHEN	122710	dwg no
		enr	JASON HSU	122710	20020039
		chr	JASON HSU	122710	sheet 3 of 4
		appd	JASON HSU	122710	A4
sheet index	revision sheet				type CUSTOMER Drawing



PRODUCT NUMBER	SERIES NAME	PITCH
20020039-HXXXXXL	35-508	5.08 mm

N = Number of poles  
 DIM. L = (N x 5.08 [.200])  
 DIM. P = (N - 1) x 5.08 [.200]

POLES	DIM. L	DIM. P
2-6p	±0.15 [.006]	
7-12p	±0.20 [.010]	
13-16p	±0.30 [.012]	
17-24p	±0.40 [.016]	



SECTION A-A

mat'l. code		surface ASME Y14.5	tolerance ASME Y14.5	projection 	product family TERMINAL BLOCK
ltr	ecn no	dr	date	title TERMINAL BLOCK PLUGGABLE SIGNAL PLUG, MIDDLESIDE CONTACT WITHOUT FLANGE	
B				angles X°±1° in/in X.XX±0.1 MM [INCH]	scale sheet 4 of 4 size A4
		dr	WENDY CHEN	122710	dwg no 20020039 type CUSTOMER Drawing
		enr	JASON HSU	122710	
		chr	JASON HSU	122710	
		appd	JASON HSU	122710	
sheet index	revision sheet				

