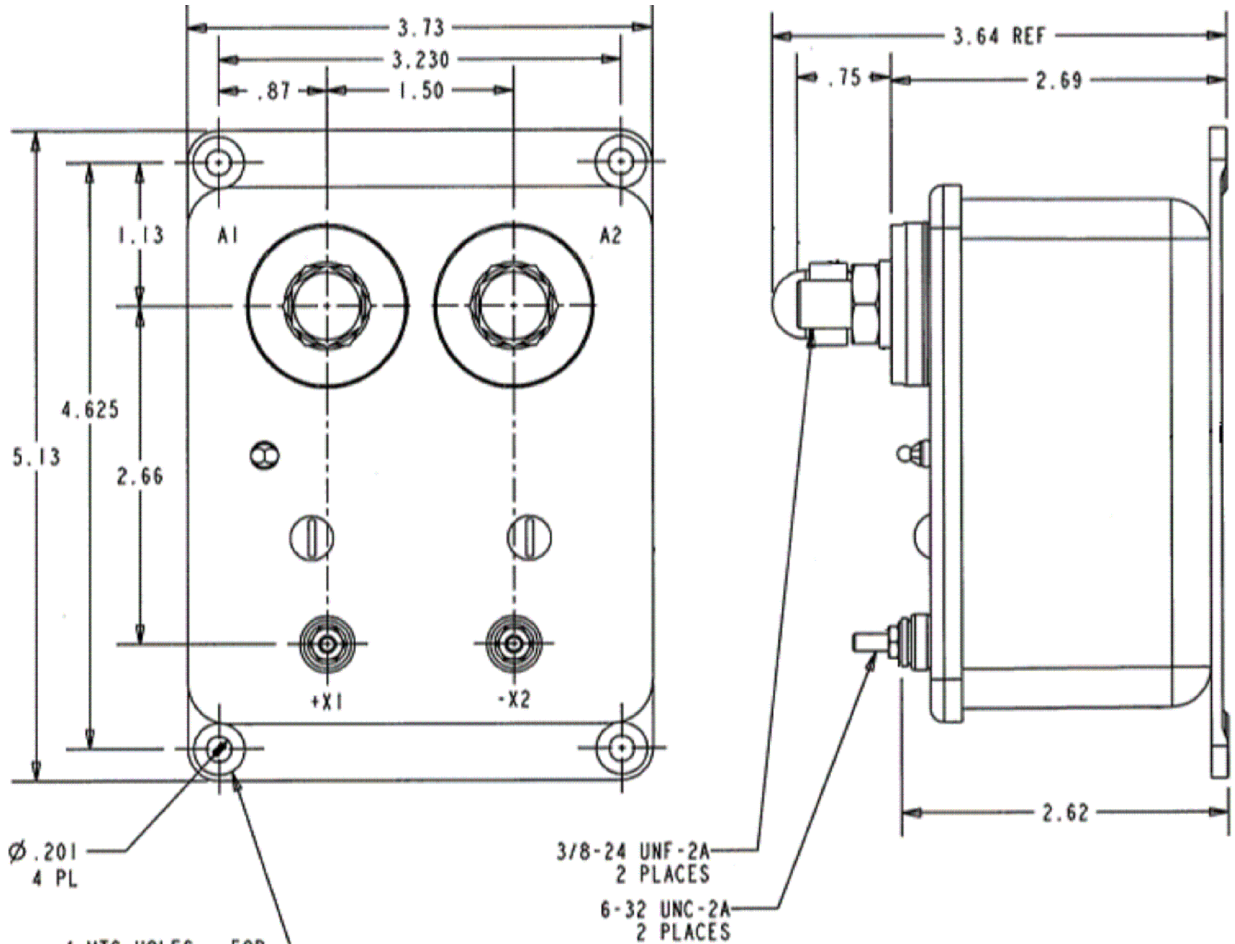


REVISIONS

REV.	ECO	DESCRIPTION	DATE	APPROVED
A	-	RELEASE TO PRODUCTION	12MAY2013	MDM

AH600A1C  
 HERM CONTACTOR SPST NO DB  
 600 AMP, 28 VAC



Ø .201  
 4 PL

4 MTG HOLES. FOR  
 ELECTRICAL BONDING,  
 FINISH REMOVED FROM BOTH  
 MOUNTING SURFACES.  
 MOUNTING HOLES ARE SPOT  
 FACED.

3/8-24 UNF-2A  
 2 PLACES  
 6-32 UNC-2A  
 2 PLACES

ALL DIMENSIONS ARE IN INCHES



TE CONNECTIVITY  
 175 N, DIAMOND STREET MANSFIELD,  
 OHIO 44902

TITLE

HERM CONTACTOR SPST NO DB  
 600 AMP, 28 VAC

TE P.N.

1616977-6

DWG NO.

AH600A1C

DS DATA SHEET

CAGE CODE  
 74063

SCALE  
 NONE

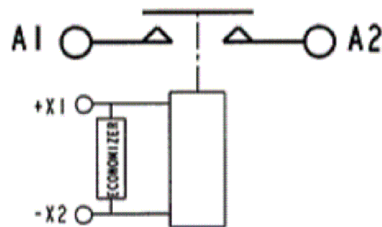
SHEET  
 1 OF 2

REV  
 A

GENERAL SPECIFICATION

<b>CONSTRUCTION</b>	<b>HERMETIC SEALED</b>
<b>MAIN CONTACTS</b>	
<b>CONFIGURATION</b>	<b>SPST N.O. (DOUBLE BREAK)</b>
<b>VOLTAGE</b>	<b>28 VDC</b>
<b>CURRENT</b>	
<b>RESISTIVE</b>	<b>600 AMPS</b>
<b>RUPTURE</b>	<b>6000 AMPS</b>
<b>INDUCTIVE</b>	<b>250 AMPS</b>
<b>MOTOR</b>	<b>3600 AMPS</b>
<b>COIL DATA</b>	
<b>DUTY CYCLE</b>	<b>CONTINUOUS (ECONOMIZED)</b>
<b>NOM. OPERATE VOLTAGE</b>	<b>28 VDC</b>
<b>MAX. PICKUP VOLTAGE</b>	<b>18 VDC</b>
<b>DROPOUT VOLTAGE</b>	<b>1-7 VDC</b>
<b>COIL CURRENT</b>	
<b>INRUSH (100mS)</b>	<b>5 AMPS MAX @ 28 VDC AND 25°C</b>
<b>HOLD</b>	<b>.200 AMPS @ 28 VDC AND 25°C</b>
<b>ENVIRONMENTAL</b>	
<b>TEMPERATURE</b>	<b>-55°C TO +85°C</b>
<b>ALTITUDE</b>	<b>80,000 FT</b>
<b>LIFE ELECTRICAL</b>	<b>50,000 CYCLES</b>
<b>LIFE MECHANICAL</b>	<b>100,000</b>
<b>WEIGHT(EST.)</b>	<b>2.4 LBS</b>

SCHEMATIC



TE CONNECTIVITY  
175 N. DIAMOND STREET MANSFIELD,  
OHIO 44902

TITLE

HERM CONTACTOR SPST NO DB  
600 AMP, 28 VAC

TE P.N.

1616977-6

DWG NO.

AH600A1C

DS

DATA SHEET

CAGE CODE  
74063

SCALE  
NONE

SHEET  
2 OF 2

REV  
A