

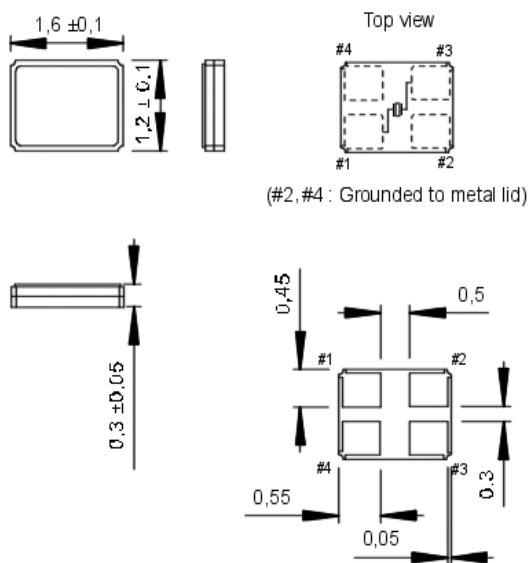


Quartz Crystal

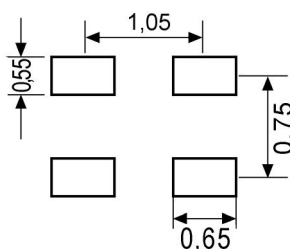
SMD-version

model	KX – 4T
frequency	48,0 MHz
mode	fundamental
operating temperature	-40° ~ +85°C
frequency tolerance at +25°C	± 30 ppm
temperature tolerance -40° ~ +85°C	± 50 ppm
load capacitance C_L	8 pF
series resonance R_1 max.	80 Ohm
aging at +25°C (first year) max.	± 2 ppm
shunt capacitance C_0 max.	5,0 pF
drive level max.	200 μ W
contents of reel	1000 pcs.
part no.	12.84810

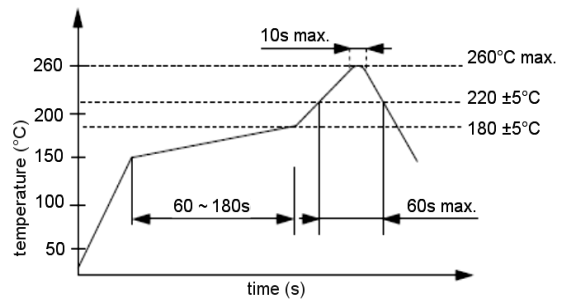
Dimensions (mm):



Suggested soldering pad:



Reflow soldering condition:



Tape specification:

